

PLEASE CHECK WWW.MOLEX.COM FOR LATEST PART INFORMATION

Part Number: [0352700210](#)
Status: **Active**
Description: 6.00mm (.236") Tab Wire-to-Wire Receptacle Housing, Secondary Lock, 2 Circuits

Documents:

[Drawing \(PDF\)](#) [RoHS Certificate of Compliance \(PDF\)](#)
[Product Specification PS-35270-001 \(PDF\)](#)

General

Product Family	Crimp Housings
Series	35270
Product Name	N/A

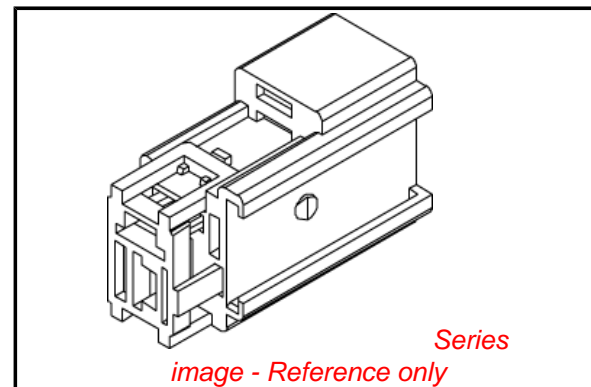
Physical

Circuits (maximum)	2
Color - Resin	Natural
Gender	Female
Glow-Wire Compliant	No
Material - Resin	Polyester
Number of Rows	1
Packaging Type	Bag
Panel Mount	No
Pitch - Mating Interface (in)	0.236 In
Pitch - Mating Interface (mm)	6.00 mm
Stackable	No
Temperature Range - Operating	-40°C to +80°C

Material Info

Reference - Drawing Numbers

Product Specification	PS-35270-001
Sales Drawing	SD-35270-0210



EU RoHS

**ELV and RoHS
Compliant**
REACH SVHC
 Not Reviewed
**Halogen-Free
Status**

China RoHS



**Need more information on product
environmental compliance?**

Email productcompliance@molex.com
 For a multiple part number RoHS Certificate of Compliance, [click here](#)

Please visit the [Contact Us](#) section for any non-product compliance questions.

Search Parts in this Series

[35270Series](#)

Mates With

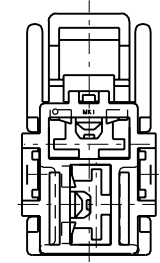
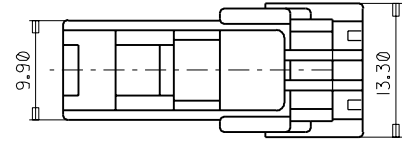
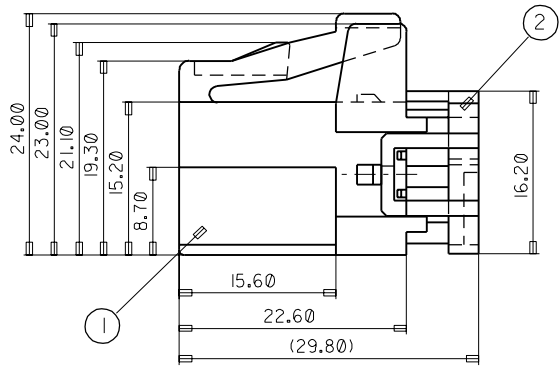
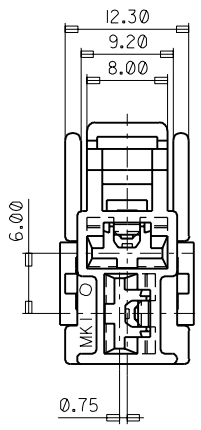
[35272](#)

Use With

[35427](#) , [35430](#)

PROJECT NO. SIMILAR ITEM EDP NO. ENG. NO. SD 35270-0210

8 7 6 5 4 3 2 1



	P/NO.	PART NAME	MATERIAL
①	35270-0290	POWERMATE FEMALE HS'G 2P	PBT
②	35271-0280	POWERMATE FEMALE TPA 2P	PBT

* APPLICABLE TERMINAL : 35427-97**,98**,99**
35430-1700,1800,1900

		MATERIAL SEE TABLE		molex MOLEX-KOREA CO.,LTD.	
		GENERAL TOLERANCE DIMENSION : *0.20		DRAWN BY 961114 J.K.OH	CHK'D BY
		ANGLE :		APP'D BY	SCALE 2 : 1
		DIMENSION CLASSIFICATION		TITLE : POWERMATE FEMALE ASS'Y -2P	
		▽ : CRITICAL ▼ : MAJOR () : REFERENCE		SHEET 1/1	
A	NEW RELEASE	971114	ASS'Y PART DESCRIPTION	ENG. NO. SD 35270-0210	REV A
LTR	REVISION RECORD	ECN	DATE		
REVISE ONLY ON CAD SYSTEM					