

**PLEASE CHECK WWW.MOLEX.COM FOR LATEST PART INFORMATION**

**Part Number:** [0003061023](#)  
**Status:** **Active**  
**Overview:** [standard .062](#)  
**Description:** 1.57mm (.062") Diameter Standard .062 Pin and Socket Receptacle Housing, 2 Circuits, Without Mounting Ears

**Documents:**

[3D Model](#) [Product Specification PS-02-06 \(PDF\)](#)  
[Drawing \(PDF\)](#) [RoHS Certificate of Compliance \(PDF\)](#)  
[Packaging Specification \(PDF\)](#)

**Agency Certification**

CSA	LR19980
TUV	R72081037
UL	E29179

**General**

Product Family	Crimp Housings
Series	<a href="#">1625</a>
Comments	Polarized to Mating Part
Overview	<a href="#">standard .062</a>
Product Name	Standard .062"

**Physical**

Breakaway	No
Circuits (maximum)	2
Circuits Detail	1x2
Color - Resin	Natural
Flammability	94V-2
Gender	Receptacle
Glow-Wire Compliant	No
Keying to Mating Part	None
Lock to Mating Part	Yes
Material - Resin	Nylon
Number of Rows	1
Packaging Type	Bag
Panel Mount	No
Pitch - Mating Interface (in)	0.145 In
Pitch - Mating Interface (mm)	3.68 mm
Pitch - Term. Interface (in)	0.145 In
Pitch - Term. Interface (mm)	3.96 mm
Polarized to Mating Part	Yes
Stackable	No
Temperature Range - Operating	-40°C to +105°C

**Electrical**

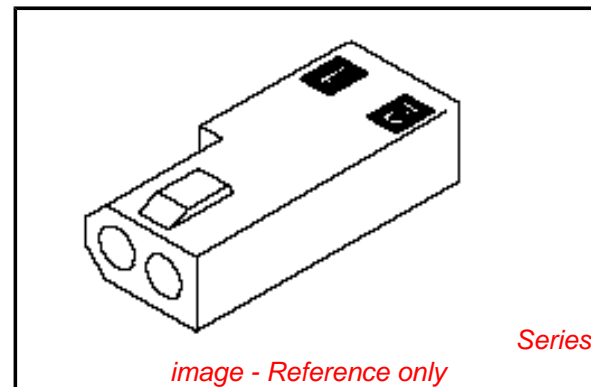
Current - Maximum per Contact	5A
-------------------------------	----

**Material Info**

Old Part Number	1625-2R1
-----------------	----------

**Reference - Drawing Numbers**

Product Specification	PS-02-06
Sales Drawing	SD-1625-2*



**EU RoHS**

**ELV and RoHS Compliant**  
**REACH SVHC**  
**Contains SVHC: No**  
**Halogen-Free**  
**Status**

**China RoHS**



**Need more information on product environmental compliance?**

Email [productcompliance@molex.com](mailto:productcompliance@molex.com)  
 For a multiple part number RoHS Certificate of Compliance, [click here](#)

Please visit the [Contact Us](#) section for any non-product compliance questions.

**Search Parts in this Series**

[1625Series](#)

**Mates With**

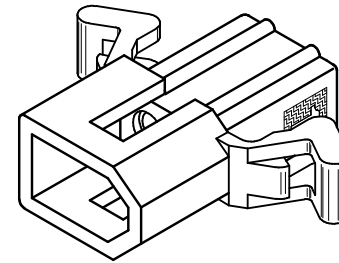
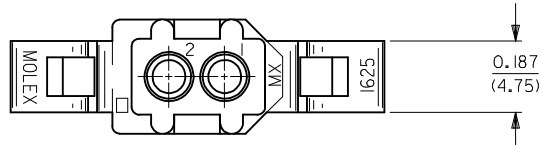
[1625 Plug](#)

**Use With**

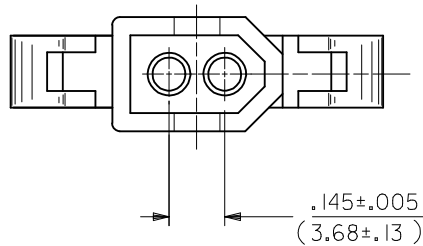
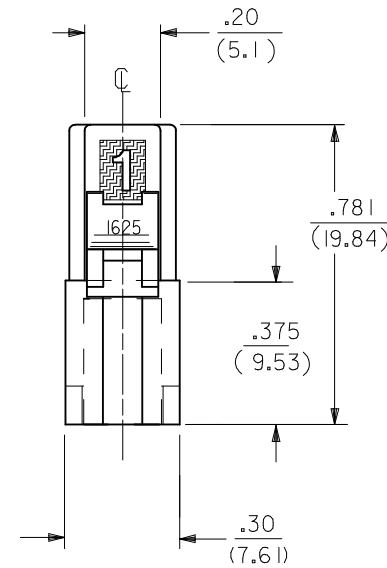
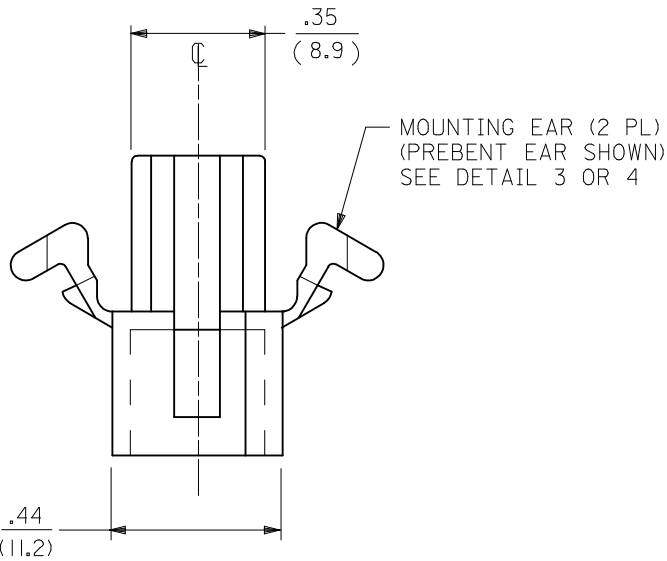
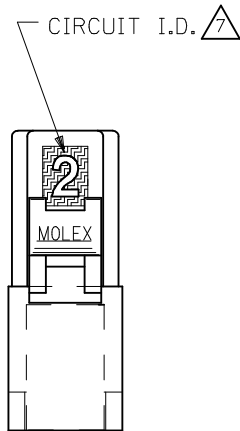
Female Crimp Terminals [1561Link:4559](#), [4529](#), [2190](#), [2189](#), [1787](#), [1855](#). Male Crimp Terminals [1560](#), [1786](#), [1854](#), [1778](#). Male PC Tail Terminals. [1779](#) Female PC Tail Terminals

This document was generated on 06/07/2010

**PLEASE CHECK [WWW.MOLEX.COM](http://WWW.MOLEX.COM) FOR LATEST PART INFORMATION**



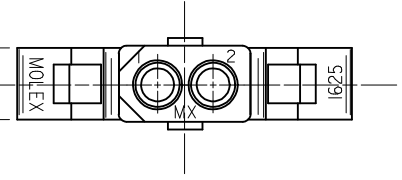
PLUG HOUSING



3	AE1
2	AE1
1	AE1
SHT. REV.	

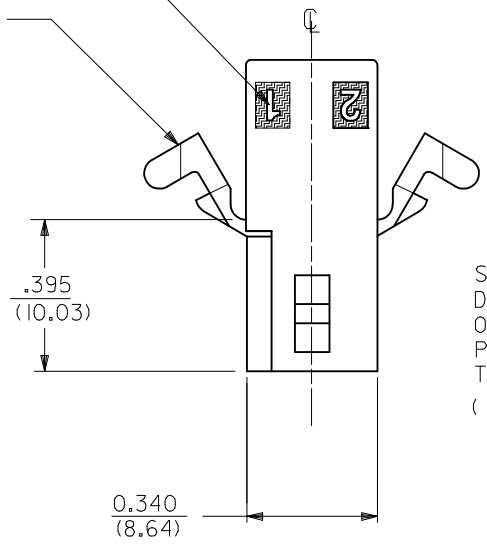
ADD NEW TOOL STEP EC NO: UCP2007-1980 DRAWN: PRIDDER 2007/04/13 CHKD: AELHAG 2007/04/16 APPR: FSMITH 2007/04/19	QUALITY SYMBOLS $\nabla=0$ $\nabla=0$	GENERAL TOLERANCES (UNLESS SPECIFIED) <table border="1"> <tr><th></th><th>mm</th><th>INCH</th></tr> <tr><td>4 PLACES ±</td><td>---</td><td>±---</td></tr> <tr><td>3 PLACES ±</td><td>---</td><td>±.007</td></tr> <tr><td>2 PLACES ±</td><td>0.18</td><td>±.010</td></tr> <tr><td>1 PLACE ±</td><td>0.25</td><td>±---</td></tr> </table> ANGULAR ± 1°		mm	INCH	4 PLACES ±	---	±---	3 PLACES ±	---	±.007	2 PLACES ±	0.18	±.010	1 PLACE ±	0.25	±---	DIMENSION STYLE IN/MM DRAWN BY DATE JJS 1988/04/13 CHECKED BY DATE RW 1988/04/13 APPROVED BY DATE RAS 1988/04/13	SCALE 4:1 DESIGN UNITS INCH THIRD ANGLE PROJECTION	TITLE PLUG AND RECEPTACLE 2 CIRCUIT HOUSINGS .062/(1.57) DIA.	MATERIAL NO. SEE CHART SIZE THIS DRAWING CONTAINS INFORMATION THAT IS PROPRIETARY TO MOLEX INCORPORATED AND SHOULD NOT BE USED WITHOUT WRITTEN PERMISSION	MOLEX MOLEX INCORPORATED DOCUMENT NO. SD-1625-2* SHEET NO. 1 OF 3
		mm	INCH																			
	4 PLACES ±	---	±---																			
	3 PLACES ±	---	±.007																			
2 PLACES ±	0.18	±.010																				
1 PLACE ±	0.25	±---																				
DRAFT WHERE APPLICABLE MUST REMAIN WITHIN DIMENSIONS	THIS DRAWING CONTAINS INFORMATION THAT IS PROPRIETARY TO MOLEX INCORPORATED AND SHOULD NOT BE USED WITHOUT WRITTEN PERMISSION																					
REV AE1																						

.187  
(4.75)

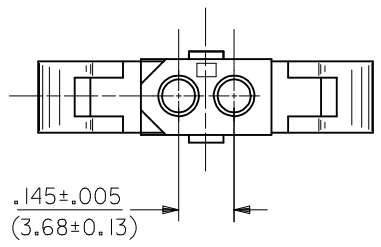
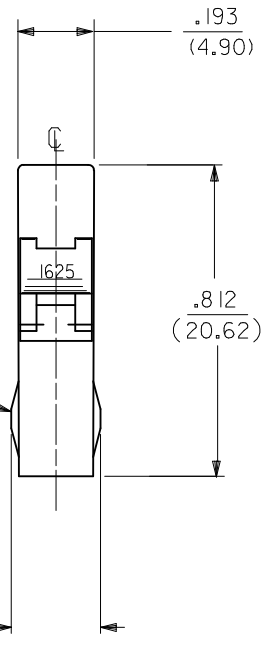


CIRCUIT I.D.

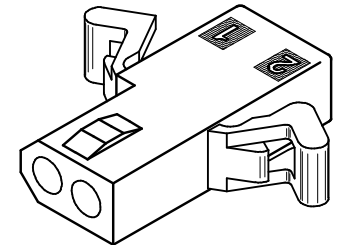
MOUNTING EAR (2 PL)  
(WHEN SPECIFIED)  
SEE DETAIL 3 OR 4



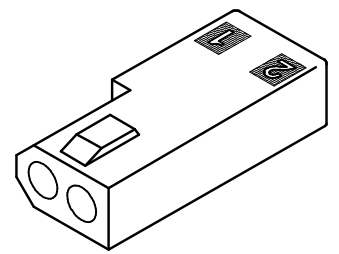
STANDARD  
DETENT SHOWN.  
OPTIONAL  
POSITIVE LOCK  
THIS SIDE ONLY  
(SEE NOTE 5)



OPTIONAL POSITIVE LOCK  
ONE SIDE ONLY  
SCALE 4:1



RECEPTACLE HOUSING  
(1625-2R2 SHOWN)



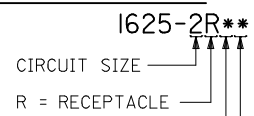
RECEPTACLE HOUSING  
(1625-2R3 SHOWN)

<b>UPDATE TITLE BLOCK</b> EC NO: UCP2007-1980 DRAWN: PRIDDER 2007/04/13 CHKD: AELHAG 2007/04/16 APPR: FSMITH 2007/04/19	<b>QUALITY SYMBOLS</b> ▽=0 ▽=0	<b>GENERAL TOLERANCES (UNLESS SPECIFIED)</b>		<b>DIMENSION STYLE</b> IN/MM	<b>SCALE</b> 4:1	<b>DESIGN UNITS</b> INCH	THIRD ANGLE PROJECTION
		4 PLACES ± --- ± --- 3 PLACES ± --- ± .007 2 PLACES ± 0.18 ± .010 1 PLACE ± 0.25 ± ---	mm INCH DRAWN BY DATE JJS 1988/04/14	CHECKED BY DATE RW 1988/04/14	<b>TITLE</b> PLUG & RECEPTACLE 2 CIRCUIT HOUSINGS .062/(1.57) DIA.		
		ANGULAR ± 1°	APPROVED BY DATE RAS 1988/04/14	<b>MATERIAL NO.</b> SEE CHART		<b>DOCUMENT NO.</b> SD-1625-2*	<b>SHEET NO.</b> 2 OF 3
		DRAFT WHERE APPLICABLE MUST REMAIN WITHIN DIMENSIONS		<b>THIS DRAWING CONTAINS INFORMATION THAT IS PROPRIETARY TO MOLEX INCORPORATED AND SHOULD NOT BE USED WITHOUT WRITTEN PERMISSION</b>			

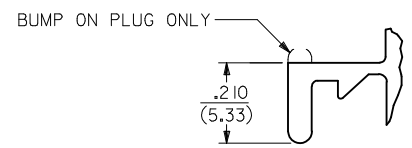
PLUG	
PART NO.	ENG. NO.
03-06-7023	I625-2P1BK
03-06-2023	I625-2P1
03-06-7027	I625-2P2BK
03-06-2024	I625-2P2

RECEPTACLE		
PART NO.	ENG. NO.	
03-06-6023	I625-2R1BK	
03-06-1020	I625-2R3	OBSOLETE
03-06-1023	I625-2R1	
03-06-1022	I625-2R2	
03-06-6025	I625-2R2RD	OBSOLETE
03-06-6026	I625-2R2GN	OBSOLETE
03-06-6027	I625-2R2BU	OBSOLETE
03-06-6022	I625-2R2BK	OBSOLETE
03-06-6028	I625-2R1BU	OBSOLETE

**RECEPTACLE LEGEND:**



BLANK = WITH STANDARD MOUNTING EARS; WITH DETENTS  
 1 = WITHOUT MOUNTING EARS; WITH DETENTS  
 2 = WITH PREBENT MOUNTING EARS; WITH DETENTS  
 3 = W/O MOUNTING EARS, WITH POSITIVE LOCK

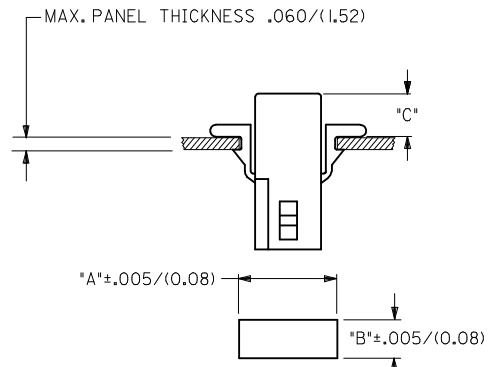


**PLUG LEGEND:**



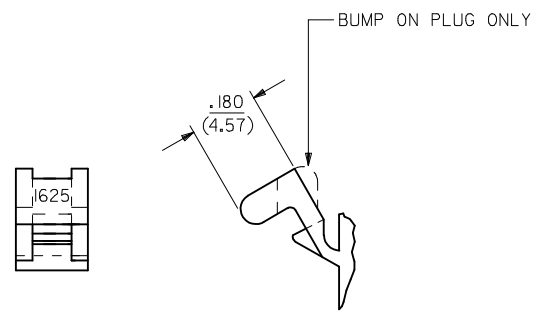
1 = WITHOUT MOUNTING EARS  
 2 = WITH PREBENT MOUNTING EARS  
 3 = W/O MOUNTING EARS, WITH POSITIVE LOCK

BLANK = NATURAL  
 AM=AMBER BK=BLACK BU=BLUE  
 BN=BROWN GY=GRAY GN=GREEN  
 OR=ORANGE RD=RED YW=YELLOW



**RECOMMENDED HOLE PATTERN**

HOUSING	DIM. "A"	DIM. "B"	PREBENT EAR DIM. "C"	STD. EAR DIM. "C"
PLUG	.609 (15.47)	.318 (8.08)	.24 (6.0)	.24 (6.1)
RECEPTACLE	.505 (12.83)	.265 (6.73)	.25 (6.4)	.25 (6.4)



**DETAIL 4**

PREBENT MOUNTING EARS  
(SCALE 4:1)

- NOTES:
- MATERIAL - NYLON TYPE 6/6, 94V-2
  - FINISH: NONE
  - PRODUCT SPECIFICATION: PS-02-06
  - PACKAGING SPECIFICATION: PK-1625-001
  - POSITIVE LOCK VERSION REQUIRES USE OF A SCREWDRIVER OR SIMILAR TOOL TO LIFT SHROUD ON PLUG HOUSING IN ORDER TO UNMATE RECEPTACLE HOUSINGS
  - HOUSINGS FOR USE WITH MOLEX .062/(1.57) DIA. SERIES TERMINALS.
  - CIRCUIT I.D. NUMBERS ON SIDE OF HOUSING APPEAR ON PARTS FROM TOOLS BUILT AFTER 07/01/1991.
  - THIS PART CONFORMS TO CLASS B REQUIREMENTS OF COSMETIC SPECIFICATION PS-45499-002.

<b>UPDATE NOTES</b> EC NO: UCP2007-1980 DRW: NRI/DDR 2007/04/13 CHKD: AEL/HAG 2007/04/16 APPR: FSM/LTH 2007/04/19	QUALITY SYMBOLS ▽=0 ▽=0	GENERAL TOLERANCES (UNLESS SPECIFIED)		DIMENSION STYLE <b>IN/MM</b>	SCALE <b>2:1</b>	DESIGN UNITS <b>INCH</b>	THIRD ANGLE PROJECTION
		4 PLACES ± --- ± --- 3 PLACES ± --- ± .007 2 PLACES ± 0.18 ± .010 1 PLACE ± 0.25 ± ---	DRAWN BY JJS DATE 1988/04/14	TITLE <b>PLUG &amp; RECEPTACLE          2 CIRCUIT HOUSINGS          .062(1.57)DIA.</b>			
		ANGULAR ± 1 °	CHECKED BY RW DATE 1988/04/14	APPROVED BY RAS DATE 1988/04/14			
		DRAFT WHERE APPLICABLE MUST REMAIN WITHIN DIMENSIONS	MATERIAL NO. <b>SEE CHART</b>	MOLEX INCORPORATED	SHEET NO. <b>3 OF 3</b>		