

DATA SHEET

# SKY12334-362LF: GaAs 5 Bit Digital Attenuator, 5-Bits, 0.5 dB LSB with Serial-to-Parallel Driver 0.7–4 GHz

## Features

- Broadband 700 MHz to 4 GHz
- Attenuation range: 15.5 dB
- Least significant bit attenuation: 0.5 dB
- Low insertion loss: 1 dB @ 900 MHz
- Positive voltage operation (5 V)
- Integrated silicon serial-to-parallel driver
- QFN 4 x 4 mm leadless package
- Available lead (Pb)-free, RoHS-compliant, and Green™, MSL-1 @ 260 °C per JEDEC J-STD-020

## Description

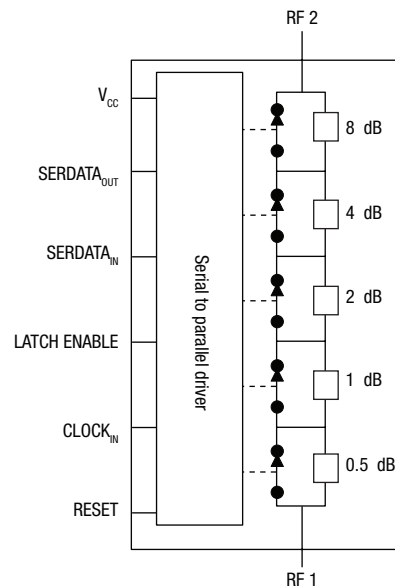
The SKY12334-362LF is a GaAs FET IC 5-bit digital attenuator with a Si serial-to-parallel driver packaged in a 24-pin leadless exposed pad plastic package. It is particularly well suited for applications in which high attenuation accuracy, low insertion loss, and low inter-modulation products are required. Typical applications include base station, wireless and wireless local loop gain control circuits.

**NEW**



Skyworks Green™ products are RoHS (Restriction of Hazardous Substances)-compliant, conform to the EIA/EICTA/JEITA Joint Industry Guide (JIG) Level A guidelines, are halogen free according to IEC-61249-2-21, and contain <1,000 ppm antimony trioxide in polymeric materials.

## Functional Diagram



### Electrical Specifications

**V<sub>CC</sub> = 3–5 V, V<sub>CTL</sub> = 0/3 V, 5 V, T = 25 °C, P<sub>INPUT</sub> = 0 dBm, Z<sub>0</sub> = 50 Ω, unless otherwise noted**

Parameter	Condition	Frequency	Min.	Typ.	Max.	Unit
Insertion loss		0.7–1.4 GHz		1.2	1.5	dB
		1.4–2.3 GHz		1.3	2.0	dB
		2.3–2.7 GHz		1.8	2.3	dB
		2.7–4.0 GHz		2.0	2.7	dB
Attenuation range				15.5		dB
Attenuation accuracy	Attenuation referred to insertion loss All attenuation states	0.7–0.9 GHz	± (0.5 + 5% of Atten. Setting) Max.			dB
		0.9–2.2 GHz	± (0.3 + 4% of Atten. Setting) Max.			dB
		2.2–4.0 GHz	± (0.5 + 5% of Atten. Setting) Max.			dB
Return loss	RF1 and RF2, all atten. states	0.7–1.4 GHz	12	14		dB
		1.4–2.3 GHz	15	18		dB
		2.3–2.7 GHz	12	15		dB
		2.7–4.0 GHz	10	13		dB

### Operating Characteristics

**V<sub>CC</sub> = 3–5 V, V<sub>CTL</sub> = 0/3 V, 5 V, T = 25 °C, P<sub>INPUT</sub> = 0 dBm, Z<sub>0</sub> = 50 Ω, unless otherwise noted**

Parameter	Condition	Frequency	Min.	Typ.	Max.	Unit
Switching characteristics: On/rise time Off/fall time	50% V <sub>CTL</sub> to 90% RF or 10/90% RF			1200		ns
	50% V <sub>CTL</sub> to 10% RF or 90/10% RF			500		ns
Input power for 0.1 dB compression	V <sub>CC</sub> = V <sub>CTL</sub> = 5 V	0.7–3.8 GHz		25		dBm
	V <sub>CC</sub> = V <sub>CTL</sub> = 3 V	0.7–3.8 GHz		23		dBm
Input power for 1.0 dB compression	V <sub>CC</sub> = V <sub>CTL</sub> = 5 V	0.7–3.8 GHz		32		dBm
	V <sub>CC</sub> = V <sub>CTL</sub> = 3 V	0.7–3.8 GHz		30		dBm
Input Intermodulation Intercept Point (IIP3)	For two tone input power, 0 dBm/tone, 1 MHz spacing. V <sub>CC</sub> = V <sub>CTL</sub> = 5 V V <sub>CC</sub> = V <sub>CTL</sub> = 3 V	0.7–3.8 GHz		42		dBm
		0.7–3.8 GHz		42		dBm

### DC Characteristics

Parameter	Condition	Symbol	Min.	Typ.	Max.	Unit
Input voltage high		V <sub>IH</sub> (1) V <sub>CC</sub> = +3 V	2.3		3	V
		V <sub>CC</sub> = +5 V	3.5		5	V
Input voltage low		V <sub>IL</sub> (0) V <sub>CC</sub> = +3 V	0		1.0	V
		V <sub>CC</sub> = +5 V	0		1.5	V
Input leakage current		I <sub>L</sub>		0.5		μA
Quiescent current		I <sub>CC</sub>		500		μA
Supply voltages (V <sub>CC</sub> )		V <sub>CC</sub>	3	5	5.5	V

### Absolute Maximum Ratings

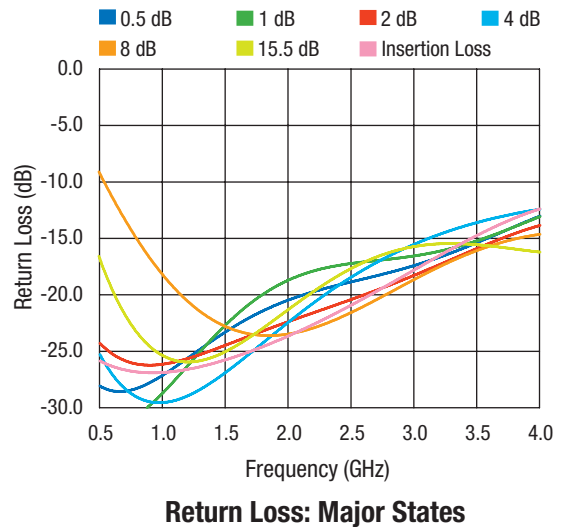
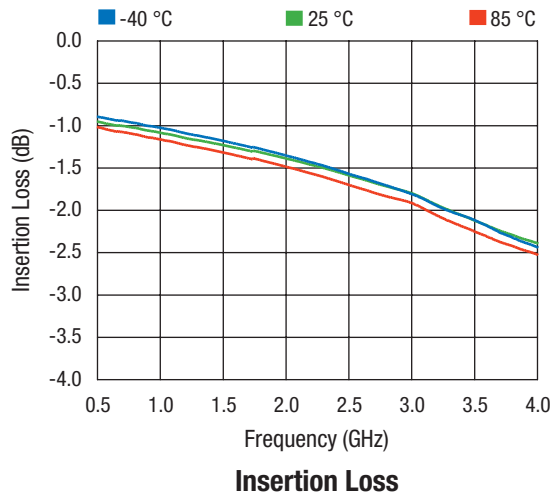
Characteristic	Value
RF input power @ 5 V	30 dBm
Supply voltage (V <sub>CC</sub> )	6 V
Control voltage	-0.2 V, +8 V
Operating temperature	-40 °C to +85 °C
Storage temperature	-65 °C to +150 °C

Performance is guaranteed only under the conditions listed in the specifications table and is not guaranteed under the full range(s) described by the Absolute Maximum specifications. Exceeding any of the absolute maximum/minimum specifications may result in permanent damage to the device and will void the warranty.

**CAUTION:** Although this device is designed to be as robust as possible, ESD (Electrostatic Discharge) can damage this device. This device must be protected at all times from ESD. Static charges may easily produce potentials of several kilovolts on the human body or equipment, which can discharge without detection. Industry-standard ESD precautions must be employed at all times.

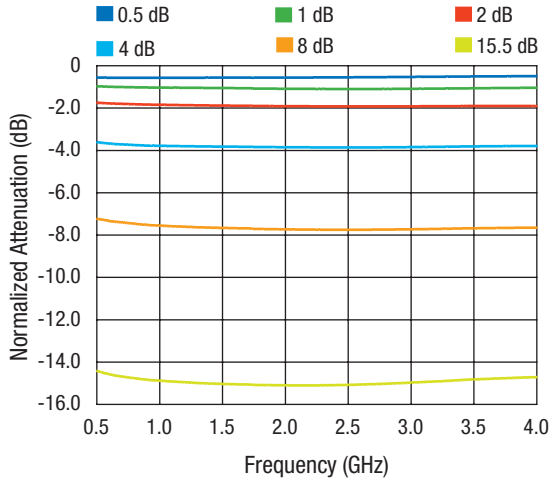
### Electrical Specifications

V<sub>CC</sub> = 5 V, V<sub>CTL</sub> = 0/5 V, T = 25 °C, P<sub>INPUT</sub> = 0 dBm, Z<sub>0</sub> = 50 Ω, C<sub>BLK</sub> = 47 pF unless otherwise noted

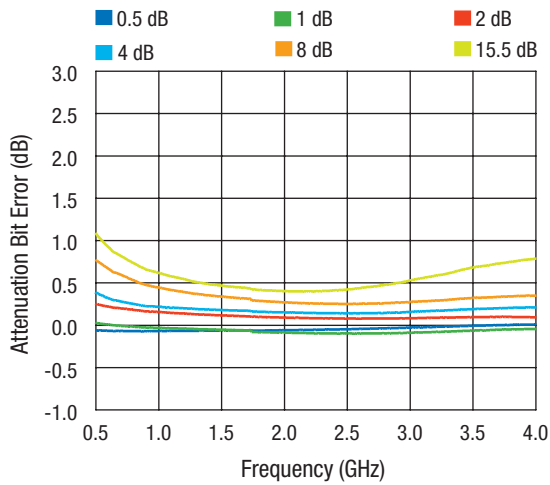


### Electrical Specifications

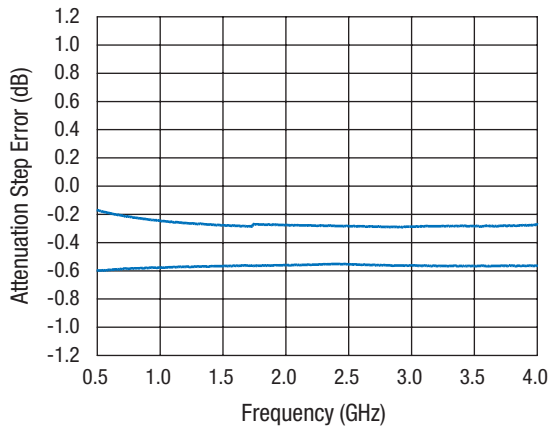
$V_{CC} = 5\text{ V}$ ,  $V_{CTL} = 0/5\text{ V}$ ,  $T = 25\text{ }^\circ\text{C}$ ,  $P_{INPUT} = 0\text{ dBm}$ ,  $Z_0 = 50\text{ }\Omega$ ,  $C_{BLK} = 47\text{ pF}$  unless otherwise noted



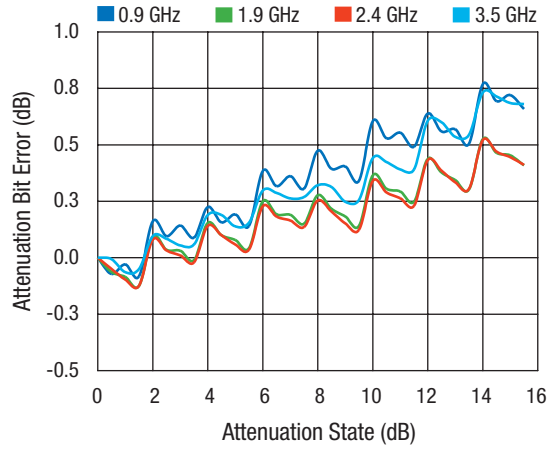
**Normalized Attenuation: Major States**



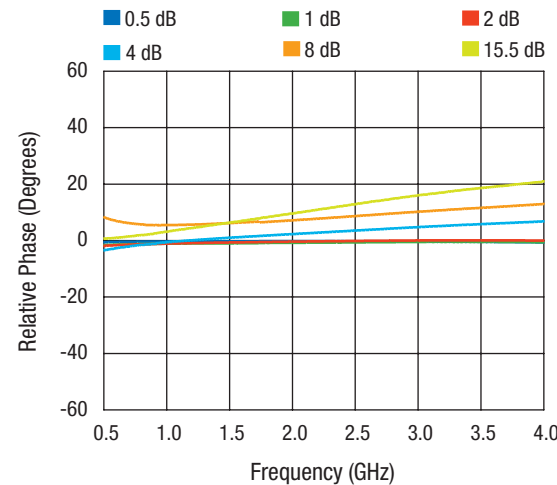
**Attenuation Bit Error: Major States**



**Worst Case Attenuation Step Error Between Successive Attenuation States**

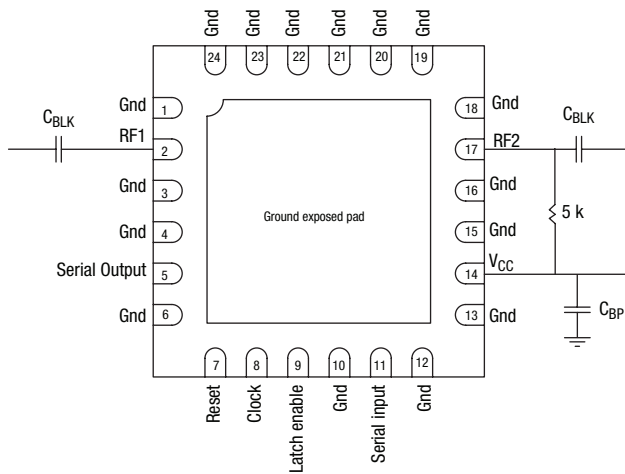


**Attenuation Bit Error vs. Attenuation State**



**Relative Phase: Major States**

### Pin Out (Top View)



DC blocking caps required on RF1 and RF2 ports.  
 Recommend 47 to 300 pF.  
 RF2 or RF1 ports needs to be pulled up to V<sub>CC</sub> voltage.  
 Recommend 5 kΩ.  
 C<sub>BP</sub> = C<sub>BYPASS</sub> = 0.01 μF.

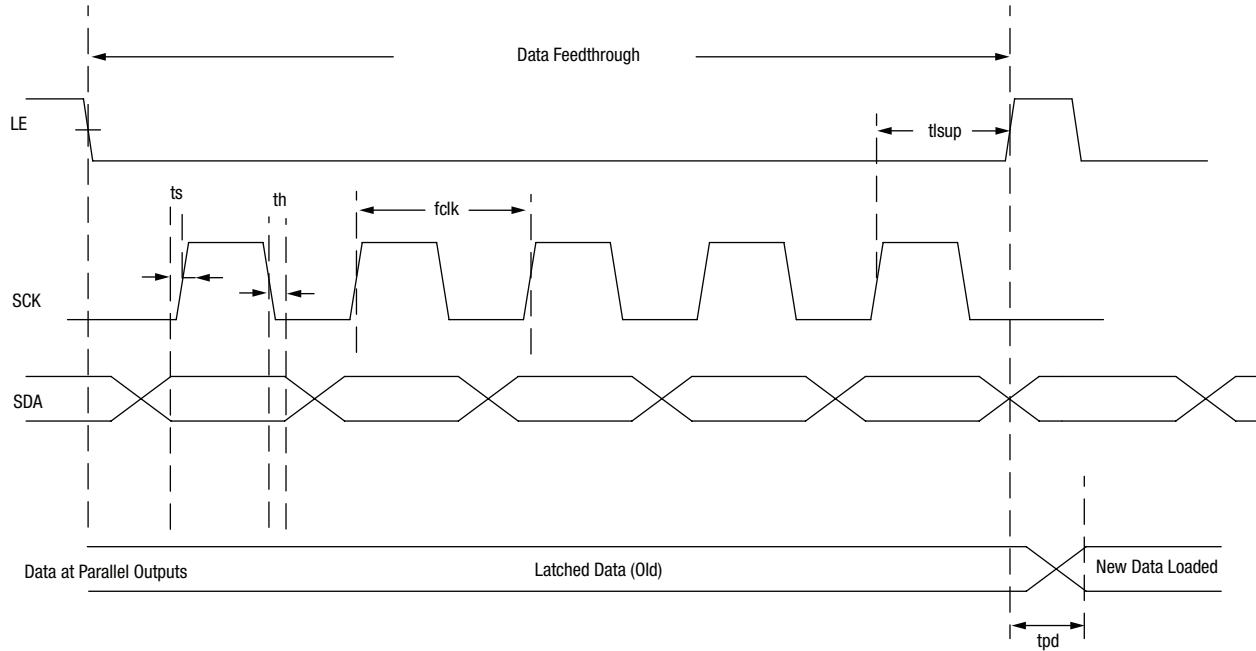
### Truth Table

Reset	Serial Data Input					RF In/Out Attenuation
	8 dB	4 dB	2 dB	1 dB	0.5 dB	
1	1	1	1	1	1	Insertion Loss
1	1	1	1	1	0	0.5 dB
1	1	1	1	0	1	1 dB
1	1	1	0	1	1	2 dB
1	1	0	1	1	1	4 dB
1	0	1	1	1	1	8 dB
1	0	0	0	0	0	15.5 dB
0	X	X	X	X	X	15.5 dB

V<sub>CC</sub> = 5 V      V<sub>CC</sub> = 3 V  
 "0" = 0–0.5 V      "0" = 0–0.5 V  
 "1" = 3.5–5 V      "1" = 2.3–3 V  
 "X" = Don't Care      "X" = Don't Care

### Pin Table

Pin #	Name	Description
1	Gnd	Ground
2	RF1	RF input/output must be DC blocked
3	Gnd	Ground
4	Gnd	Ground
5	Serial output	Data input delayed by 8 clock cycles
6	Gnd	Ground
7	Reset	Reset clears shift registers
8	Clock	Serial clock input
9	Latch enable	On rising edge of pulse, shifts 5 most recent bits clocked in to set attenuation state
10	Gnd	Ground
11	Serial input	input data
12	Gnd	Ground
13	Gnd	Ground
14	V <sub>CC</sub>	Fixed bias for SPI
15	Gnd	Ground
16	Gnd	Ground
17	RF2	RF input/output must be DC blocked
18	Gnd	Ground
19	Gnd	Ground
20	Gnd	Ground
21	Gnd	Ground
22	Gnd	Ground
23	Gnd	Ground
24	Gnd	Ground



Parameter	Symbol	$V_{CC} = 5 V$			$V_{CC} = 3 V$			Unit
		Min.	Typ.	Max.	Min.	Typ.	Max.	
Serial input setup time	ts		5			5		ns
Hold time from serial input to shift clock	th		5			5		ns
Setup time from shift clock to latch enable	tsetup	40			100			ns
Propagation delay, latch enable to C0.5 through C8	tpd			30			70	ns
Setup time from reset to shift clock	-	20			50			ns
Clock freq	fclk			30			10	MHz

Latch Enable	Clock	Reset	Function
X	X	L	Shift register cleared
X	→	H	Shift register clocked
→	X	H	Contents of shift register transferred to digital attenuator

Serial data (SDA) is shifted into the register on the rising edge of the clock (SCK), least significant bit (LSB) first. The attenuator will change states on the rising edge of the latch enable (LE) signal, according to the most recent 5 bits of shifted data accepted since the previous falling edge of the LE signal.

The part includes a serial data output pin that can be used to provide the serial data input to a cascaded attenuator. The serial data output is the serial input data delayed by 8 clock cycles.

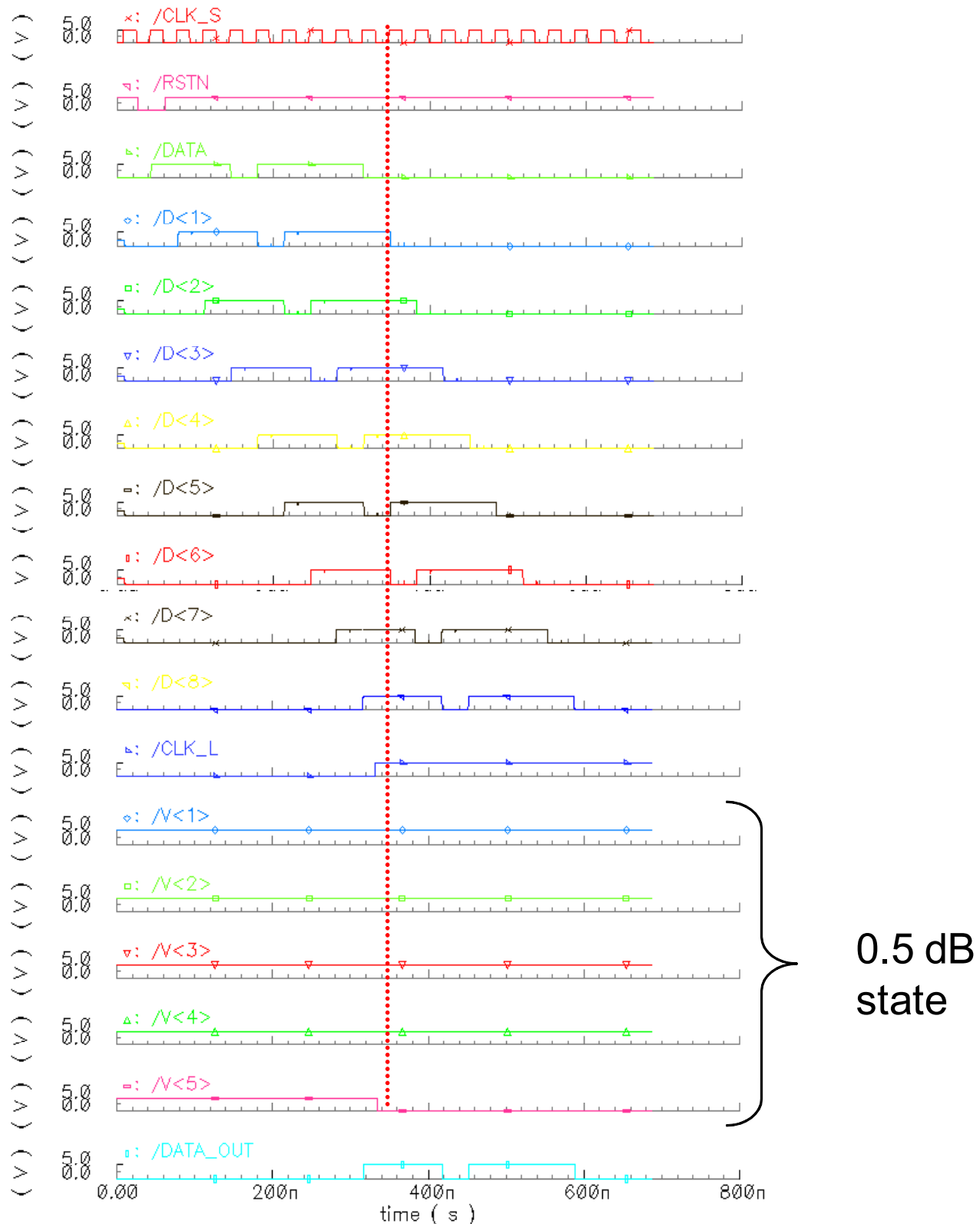
**Power-up sequence:**

0. Connect ground
1. Apply  $V_{CC}$
2. Set all inputs (SCK, SDA, LE)

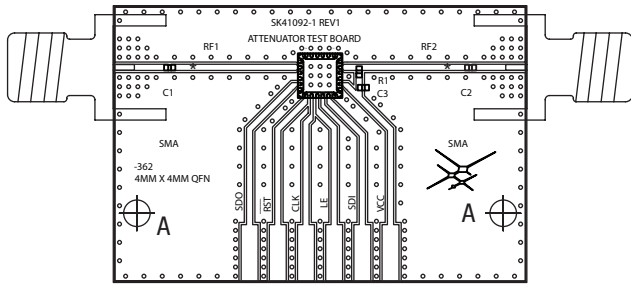
Power-down sequence should be the reverse of above.

### Example for Setting 0.5 dB State

CLK\_S = 30MHz, VDD = +5V, TnTp, 27C

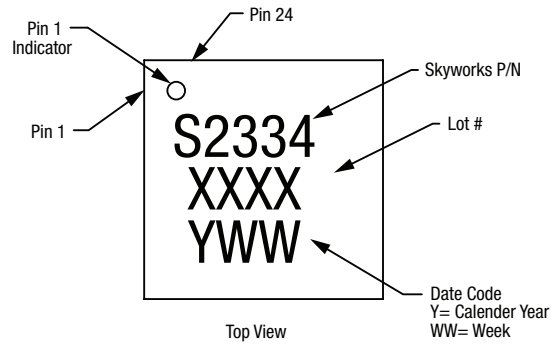


### Evaluation Circuit Board

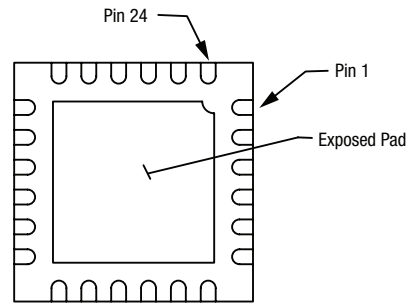


C1 = C2 = 47–300 pF.  
 C3 = 0.01 μF.  
 R1 = 5k Ω.

### Park Marking

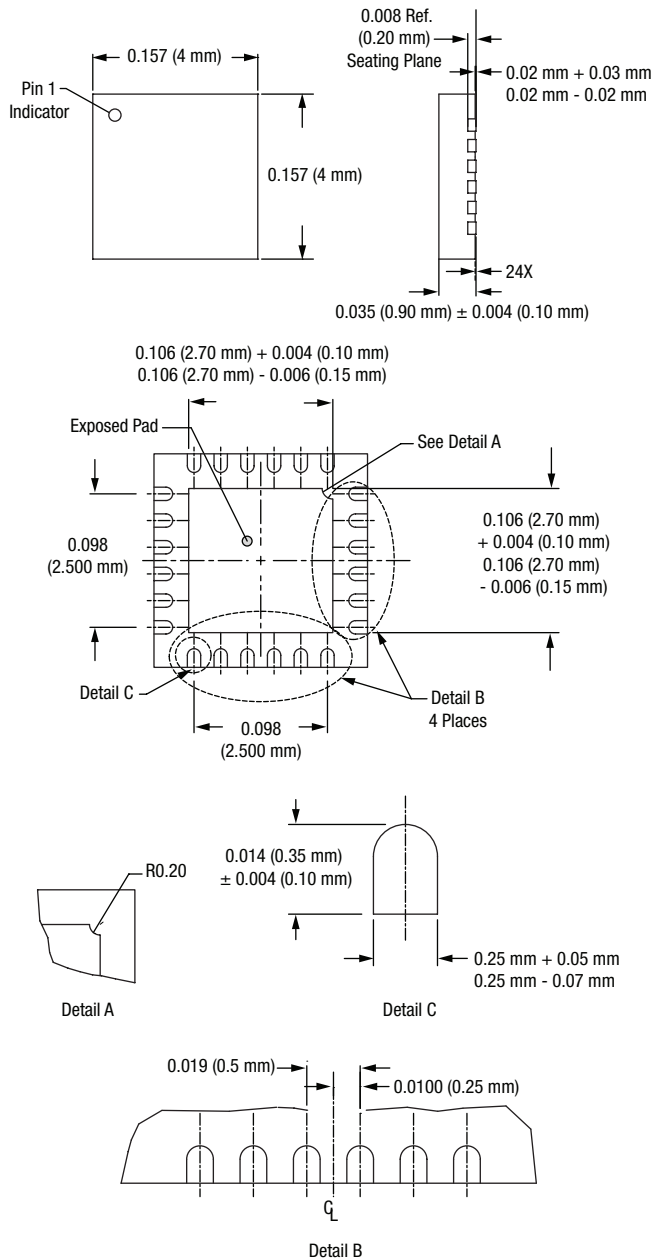


Top View

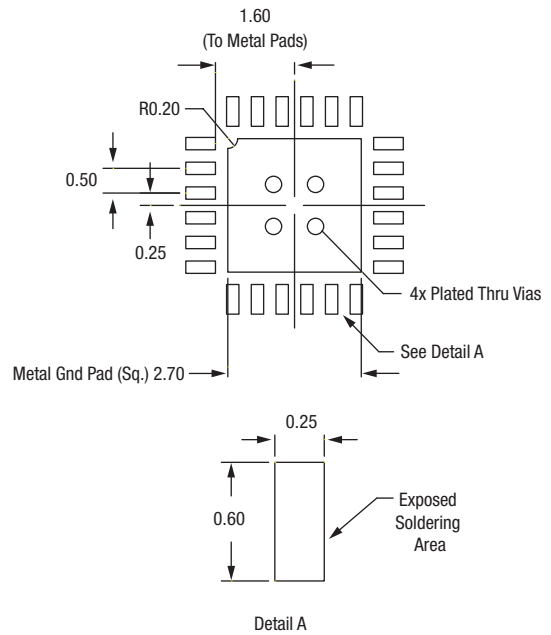


Bottom View

### -362 QFN 4 x 4 mm 24-Lead Outline



### -362 QFN 4 x 4 mm 24-Lead Suggested Land Pattern



### Recommended Solder Reflow Profiles

Refer to the [“Solder Reflow Information”](#) Application Note, document number 200164.

### Tape and Reel Information

Refer to the [“Discrete Devices and IC Switch/Attenuators Tape and Reel Package Orientation”](#) Application Note, document number 200083.

1. Dimensioning and tolerancing per ASME Y14.5m - 1994.
2. Dimensions are in inches and (millimeters). Controlling dimension is millimeters.
3. Coplanarity applies to the exposed heat sink slug as well as the terminals.
4. Plating requirement per source control drawing (SCD) 2504.

Copyright © 2009, Skyworks Solutions, Inc. All Rights Reserved.

Information in this document is provided in connection with Skyworks Solutions, Inc. ("Skyworks") products or services. These materials, including the information contained herein, are provided by Skyworks as a service to its customers and may be used for informational purposes only by the customer. Skyworks assumes no responsibility for errors or omissions in these materials or the information contained herein. Skyworks may change its documentation, products, services, specifications or product descriptions at any time, without notice. Skyworks makes no commitment to update the materials or information and shall have no responsibility whatsoever for conflicts, incompatibilities, or other difficulties arising from any future changes.

No license, whether express, implied, by estoppel or otherwise, is granted to any intellectual property rights by this document. Skyworks assumes no liability for any materials, products or information provided hereunder, including the sale, distribution, reproduction or use of Skyworks products, information or materials, except as may be provided in Skyworks Terms and Conditions of Sale.

THE MATERIALS, PRODUCTS AND INFORMATION ARE PROVIDED "AS IS" WITHOUT WARRANTY OF ANY KIND, WHETHER EXPRESS, IMPLIED, STATUTORY, OR OTHERWISE, INCLUDING FITNESS FOR A PARTICULAR PURPOSE OR USE, MERCHANTABILITY, PERFORMANCE, QUALITY OR NON-INFRINGEMENT OF ANY INTELLECTUAL PROPERTY RIGHT; ALL SUCH WARRANTIES ARE HEREBY EXPRESSLY DISCLAIMED. SKYWORKS DOES NOT WARRANT THE ACCURACY OR COMPLETENESS OF THE INFORMATION, TEXT, GRAPHICS OR OTHER ITEMS CONTAINED WITHIN THESE MATERIALS. SKYWORKS SHALL NOT BE LIABLE FOR ANY DAMAGES, INCLUDING BUT NOT LIMITED TO ANY SPECIAL, INDIRECT, INCIDENTAL, STATUTORY, OR CONSEQUENTIAL DAMAGES, INCLUDING WITHOUT LIMITATION, LOST REVENUES OR LOST PROFITS THAT MAY RESULT FROM THE USE OF THE MATERIALS OR INFORMATION, WHETHER OR NOT THE RECIPIENT OF MATERIALS HAS BEEN ADVISED OF THE POSSIBILITY OF SUCH DAMAGE.

Skyworks products are not intended for use in medical, lifesaving or life-sustaining applications, or other equipment in which the failure of the Skyworks products could lead to personal injury, death, physical or environmental damage. Skyworks customers using or selling Skyworks products for use in such applications do so at their own risk and agree to fully indemnify Skyworks for any damages resulting from such improper use or sale.

Customers are responsible for their products and applications using Skyworks products, which may deviate from published specifications as a result of design defects, errors, or operation of products outside of published parameters or design specifications. Customers should include design and operating safeguards to minimize these and other risks. Skyworks assumes no liability for applications assistance, customer product design, or damage to any equipment resulting from the use of Skyworks products outside of stated published specifications or parameters.

Skyworks, the Skyworks symbol, and "Breakthrough Simplicity" are trademarks or registered trademarks of Skyworks Solutions, Inc., in the United States and other countries. Third-party brands and names are for identification purposes only, and are the property of their respective owners. Additional information, including relevant terms and conditions, posted at [www.skyworksinc.com](http://www.skyworksinc.com), are incorporated by reference.