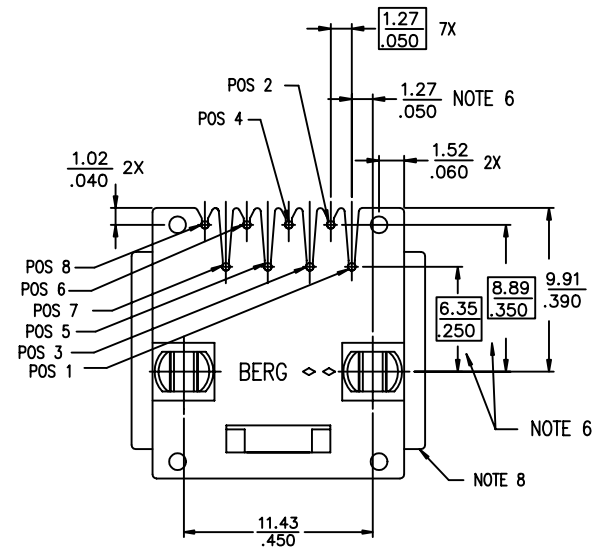
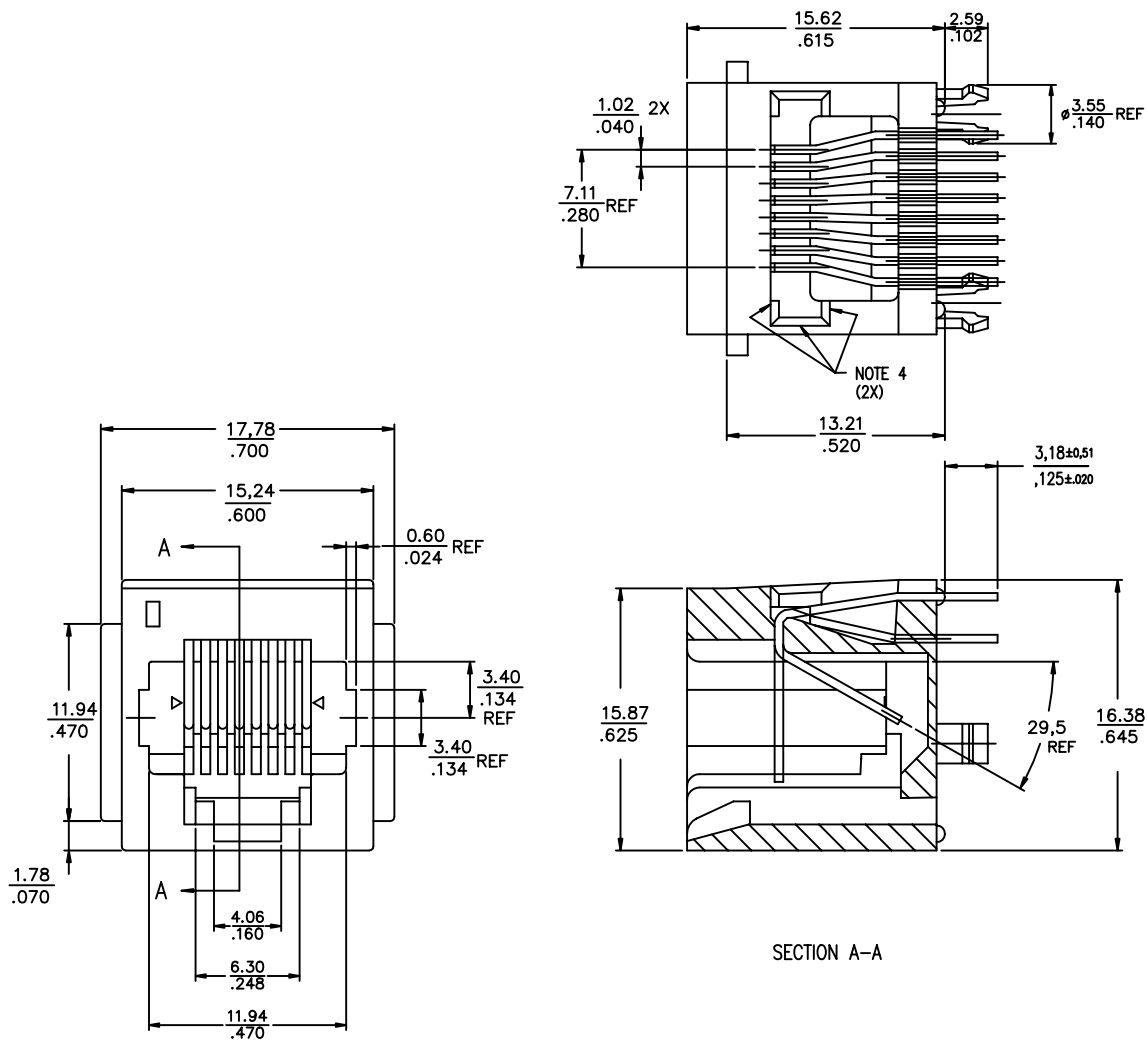


Tous droits strictement réservés. Reproduction ou communication à des tiers int
 propriété de FCI ELECTRONICS.
 Droits de reproduction FCI ELECTRONICS by



All rights strictly reserved. Reproduction or issue to third parties in any for
 whatever is not permitted without written authority from the proprietor.
 Copyright FCI ELECTRONICS by



mat'l code		tolerance unless otherwise specified		CUSTOMER COPY		FCI www.fciconnect.com	
rev.	ecn no.	dr	date	.xx±.3/.xx±.01	linear	.xx±.13/.xx±.005	projection
J	T80175	T	08/05/98	.xxx±.051/.xxx±.002	angles	ANGLE ±2'0"	title
K	T90098	T	15/03/99				8 POS VERT. SNAP PEG P.C.B. III MOD JACK ASSY
L	S00022	B	26/01/00				product family M-JACK
M	T00202	M	07/04/00				code NT
N	N04-0102	YS	11/23/04				size
P	N06-0039	DT	3/10/06				dwg no.
R	N08-0097	SH	09/25/08				90598
sheet	revision	P	P				scale
index	sheet	1	2				3 : 1
							A3

Tous droits strictement réservés. Reproduction ou communication à des tiers sans aucune forme que ce soit sans autorisation écrite du propriétaire. Droits de reproduction FCI ELECTRONICS by



All rights strictly reserved. Reproduction or issue to third parties in any form without written authority from the proprietor. Property of FCI ELECTRONICS. Copyright FCI ELECTRONICS by

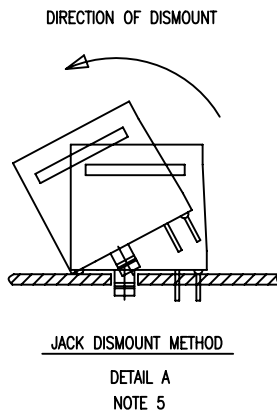
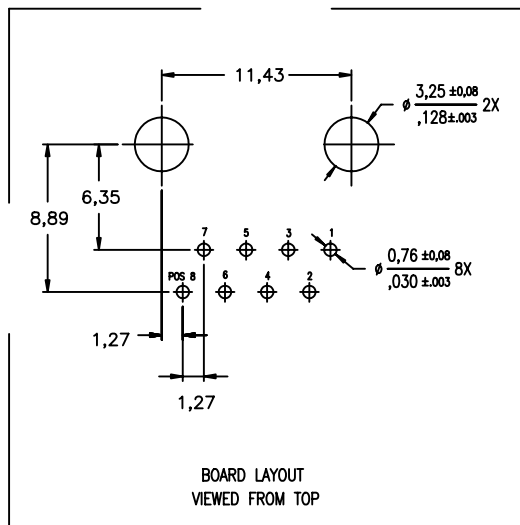
PRODUCT NO.	POSITIONS LOADED	CONTACT PLATING	MOUNTING EARS
90598-001 -001LF	ALL	30u" / ,76u GXT	Y
-002 -002LF	2,3,4,5,6,7	30u" / ,76u GXT	Y
-003 -003LF	ALL	30u" / ,76u Au	Y
-004 -004LF	ALL	50u" / 1,27u Au	Y
-005 -005LF	1,2,7,8	30u" / ,76u GXT	Y
-006 -006LF	ALL	30u" / ,76u GXT	N
-007 -007LF	ALL	50u" / 1,27u Au	N
-008 -008LF	ALL	30u" / ,76u Au	N
-009 -009LF	2-7	30u" / ,76u GXT	N
-010 -010LF	2-7	30u" / ,76u Au	N
-011 -011LF	3,4,5,6	50u" / 1,27u Au	N
-012 -012LF	ALL	15u" / 0,37u GXT	N

PRODUCT NO.	POSITIONS LOADED	CONTACT PLATING	MOUNTING EARS
90598-101 -101LF	ALL	30u" / ,76u GXT	Y
-102 -102LF	2,3,4,5,6,7	30u" / ,76u GXT	Y
-103 -103LF	ALL	30u" / ,76u Au	Y
-104 -104LF	ALL	50u" / 1,27u Au	Y
-105 -105LF	1,2,7,8	30u" / ,76u GXT	Y
-106 -106LF	ALL	30u" / ,76u GXT	N

LEAD FREE PRODUCT NO.

NOTES :

- 1 P/NO WITH DASH OXX -NOTMAL WAVE SOLDERING APPLICATION.
P/NO WITH DASH 1XX -1R REFLOW APPLICATION.
- 2 PACKAGING SPEC. BUS-14-164.
- ③ SCRATCH MARKS ACCEPTABLE ON THESE SURFACES.
- 4 JACK IS FOR 1,57/.062 THICK PCB.
- ⑤ SHOULD THE JACK NEED TO BE DISMOUNTED FROM THE PCB, PLS REMOVE JACK AS PER RECOMMENDED METHOD HEREIN. (DETAIL A) NIPPING THE LEGS OF THE PEG TOGETHER IS DISALLOWED, OTHERWISE LEG BREAKAGE MAY OCCUR.
- ⑥ THESE DIMENSIONS ARE TAKEN FROM THE TOP OF THE PEG.
- 7 GXT IS 0,76um / 30u" MIN GXT WITH Au FLASH OVER 1,27 um / 50u" MIN Ni.
- ⑧ MOUNTING EARS OPTIONAL. REFER TO TABLE
- 9 THIS PRODUCT MEETS EUROPEAN UNION DIRECTIVES AND OTHER COUNTRY REGULATIONS AS DESCRIBED IN GS-22-008
- 10 MOUNTING EARS OPTIONAL. REFER TO TABLE
- 11 THE HOUSING WILL WITHSTAND EXPOSURE TO 260°C PEAK TEMPERATURE FOR 10 SECONDS IN A WAVE SOLDER APPLICATION WITH A 1.57mm MINIMUM THICK CIRCUIT BOARD
- 12 IF LF P/N PACKAGING MEETS GS-14-920 SPECIFICATION
- ⑬ EQUIVALENT THICKNESS Au AND GXT PLATING HAVE SAME FUNCTION AND THEY ARE ALTERNATIVE BY THE CUSTOEMR .



mat'l code		tolerance unless otherwise specified		CUSTOMER COPY		 www.fciconnect.com	
rev.	ecn no.	dr	date	linear	.xx±.13/.xx±.01 .xxx±.051/.xxx±.002	projection	 title 8 POS VERT. SNAP PEG P.C.B. III MOD JACK ASSY
R				angles	ANGLE ±2'0"		
dr	C L FENG		01/08/97	unit	mm/inch	product family	M-JACK
enr	TONY CHIEN		01/08/97	scale	3 : 1	size	dwg no.
chr	TONY CHIEN		01/08/97				90598
appd	JENN TSAO		01/08/97				code NT
sheet	revision						sheet
index	sheet						2 OF 2