

**PLEASE CHECK WWW.MOLEX.COM FOR LATEST PART INFORMATION**

**Part Number:** [0870610001](#)  
**Status:** **Active**  
**Description:** 2.50mm (.098") / 3.50mm (.138") Pitch Low Profile Female Crimp Terminal, Tin (Sn) Overall

**Documents:**

[Drawing \(PDF\)](#) [RoHS Certificate of Compliance \(PDF\)](#)

**General**

Product Family	Crimp Terminals
Series	<a href="#">87061</a>
Crimp Quality Equipment	Yes
Product Name	N/A

**Physical**

Durability (mating cycles max)	30
Gender	Receptacle
Material - Metal	Phosphor Bronze
Material - Plating Mating	Tin
Material - Plating Termination	Tin
Packaging Type	Reel
Wire Insulation Diameter	1.90 (.075) max.
Wire Size AWG	22, 24, 26, 28
Wire Size mm <sup>2</sup>	DIA.1.15 TO 1.9MM

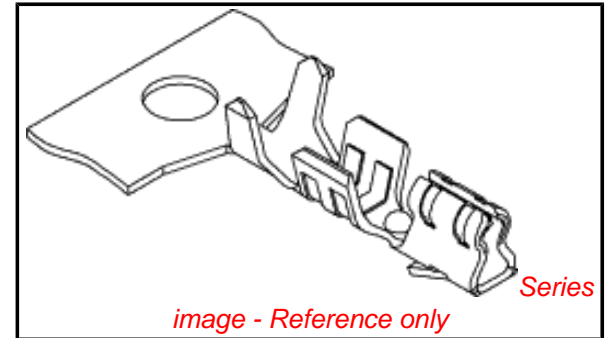
**Electrical**

Current - Maximum per Contact	3A
Voltage - Maximum	250V AC (RMS)/DC

**Material Info**

**Reference - Drawing Numbers**

Sales Drawing	SD-87061-0001
---------------	---------------



**EU RoHS**

**ELV and RoHS  
Compliant**  
**REACH SVHC  
Not Reviewed**  
**Halogen-Free  
Status  
Not Reviewed**

**China RoHS**



**Need more information on product  
environmental compliance?**

Email [productcompliance@molex.com](mailto:productcompliance@molex.com)  
 For a multiple part number RoHS Certificate of Compliance, [click here](#)

Please visit the [Contact Us](#) section for any non-product compliance questions.

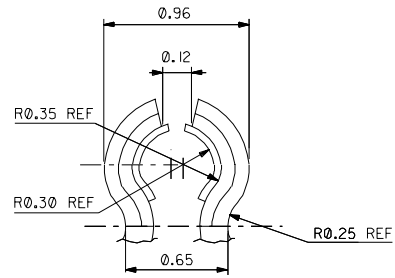
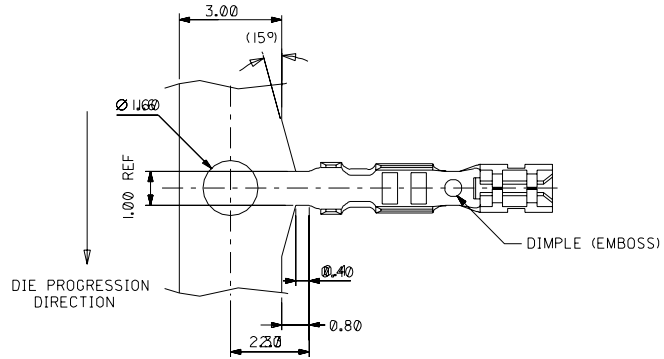
**Search Parts in this Series**

[87061Series](#)

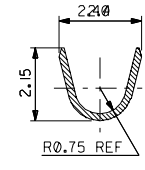
**Use With**

[5264 housings](#)

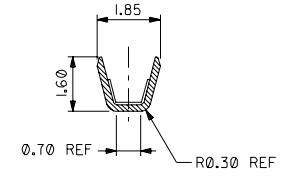
DWG. NO. SD187061-0001  
 CAD FILE S870610.LDGN



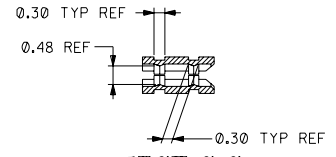
**DETAIL D**  
(SCALE 20:1)



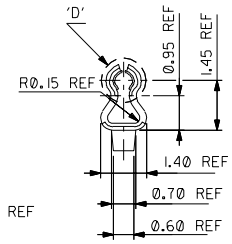
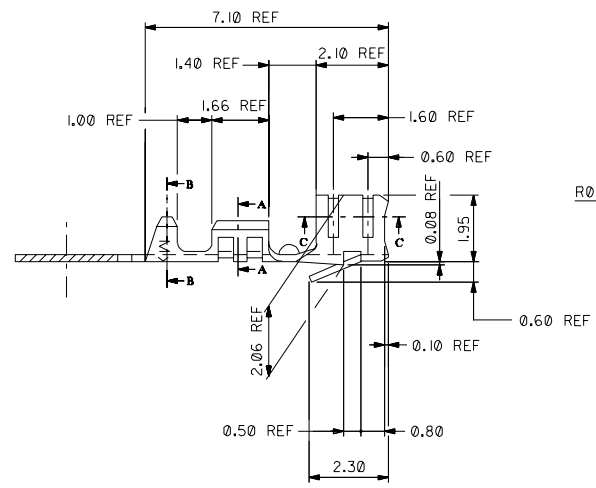
**SECT. B-B**



**SECT. A-A**



**SECT. C-C**



**NOTES:**

- 1) MAXIMUM ALLOWABLE CAMBER IS 20 MM/M.
- 2) INSERTION FORCE TO HSG. (P/N 5264-N) IS 0.8 kg MAX.
- 3) RETENTION FORCE TO HSG. (P/N 5264-N) IS 2.5 kg MIN.
- 4) REFER TO MOLEX JAPAN PRODUCT SPEC. 5263/5264/5267/5268 FOR PRODUCT PERFORMANCE.

**LEGEND:**

- 87061-0 0 0 \*
- 1 - CHAIN FORM
  - 2 - LOOSE FORM

PART NO.	FORM	HAND TOOL	BENCH TOOL	CRIMP DIE (USE BY BOTH HAND AND BENCH TOOL)
87061-0001	CHAIN		M15A	JM5996A
87061-0002	LOOSE	JHTR5974A		

MM

				MATERIAL : PRE-TIN-PHOS-BRO.(KY-09) THK 0.203±0.01 X WIDTH 10.8±0.08		<b>MOLEX SINGAPORE PTE LTD</b> SHEET   OF		
				FINISH :				
AI	ADD IN TABLE AT LOC.(B2/3/4) & LEGEND.	S60549	SEE	950517	GENERAL TOLERANCES ± 0.20/008		REV A	
A	REL PER PDR*95-06-0051	S60263	SEE	GMS 951117	DWG. NO. SD187061-0001			
LTR	REVISION RECORD	ECN	DR	CHK	DATE	DRAWN BY 951117	CHK'D BY GMS 951117	
REVISE ONLY ON CAD SYSTEM						APPR'D BY RDY 951117	SCALE 5 : 1	TITLE : 2.5mm LOW PROFILE CRIMP RECEPTACLE.

DO NOT SCALE DRAWING