

PLEASE CHECK WWW.MOLEX.COM FOR LATEST PART INFORMATION

Part Number: [0780658102](#)

Status: **Active**

Description: 1.00mm (.039") Pitch DDR2 DIMM Socket, Very Low Profile, Vertical, Press-fit, 1.8V Center Keys, 4.20mm (.165") Tail Length, Black Latches, 240 Circuits, 0.76µm (30µm) Gold(Au) Plating, Solder-tail: Tin/Lead (Pb/Sn) over Nickel Underplate version

Documents:

[3D Model](#)

[Product Specification PS-78065-001 \(PDF\)](#)

[Drawing \(PDF\)](#)

[RoHS Certificate of Compliance \(PDF\)](#)

Agency Certification

CSA LR19980
UL E29179

General

Product Family Memory Module Sockets
Series [78065](#)
Comments Latches in Black Color
Component Type Socket
JEDEC Outline MO-237
Product Name DDR2 DIMM

Physical

Circuits (Loaded) 240
Circuits (maximum) 240
Color - Resin Black
Durability (mating cycles max) 25
Entry Angle Vertical
Flammability 94V-0
Function Key None
Keying to Mating Part Yes
Material - Metal Phosphor Bronze
Material - Plating Mating Gold
Material - Plating Termination Tin-Lead
Material - Resin High Temperature Thermoplastic
PC Tail Length (in) 0.165 In
PC Tail Length (mm) 4.20 mm
PCB Locator No
PCB Retention Yes
PCB Thickness Recommended (in) 0.180 In
PCB Thickness Recommended (mm) 4.57 mm
Packaging Type Tray
Pitch - Mating Interface (in) 0.039 In
Pitch - Mating Interface (mm) 1.00 mm
Pitch - Term. Interface (in) 0.039 In, 0.197 In
Pitch - Term. Interface (mm) 1.00 mm, 5.00 mm
Plating min: Mating (µin) 30.4
Plating min: Mating (µm) 0.76
Plating min: Termination (µin) 15.2
Plating min: Termination (µm) 0.38
Temperature Range - Operating -55°C to +85°C
Termination Interface: Style Through Hole - Compliant Pin

Electrical

Current - Maximum per Contact 0.5A
Voltage - Maximum 30V AC (RMS)/DC

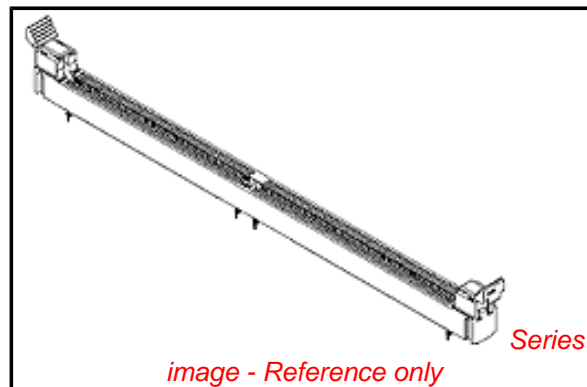


image - Reference only

EU RoHS

RoHS Compliant by Exemption

REACH SVHC

Contains SVHC: No

Halogen-Free

Status

Not Reviewed

China RoHS



Pb

Need more information on product environmental compliance?

Email productcompliance@molex.com
For a multiple part number RoHS Certificate of Compliance, [click here](#)

Please visit the [Contact Us](#) section for any non-product compliance questions.

Search Parts in this Series

[78065Series](#)

Mates With

JEDEC MO-237 modules

Voltage Key

Center

Solder Process Data

Replacement RoHS Compliant Part Number

0780658002

Material Info

Reference - Drawing Numbers

Product Specification

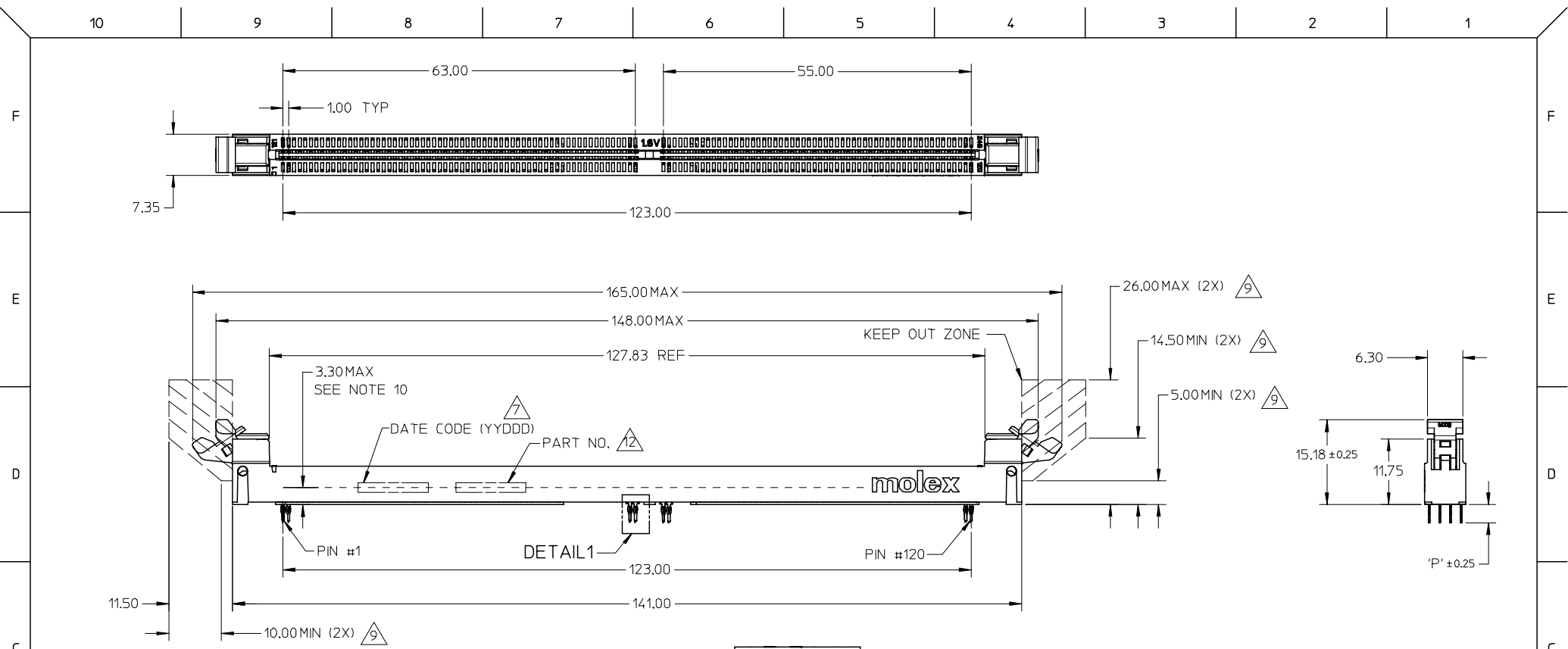
PS-78065-001, RPS-78065-002

Sales Drawing

SD-78065-001

This document was generated on 04/13/2010

PLEASE CHECK WWW.MOLEX.COM FOR LATEST PART INFORMATION

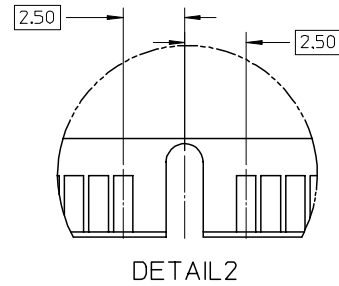
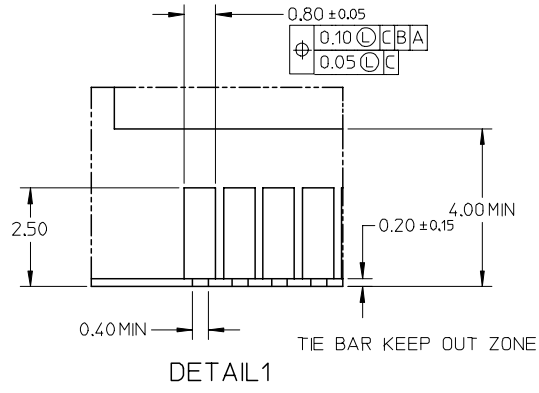
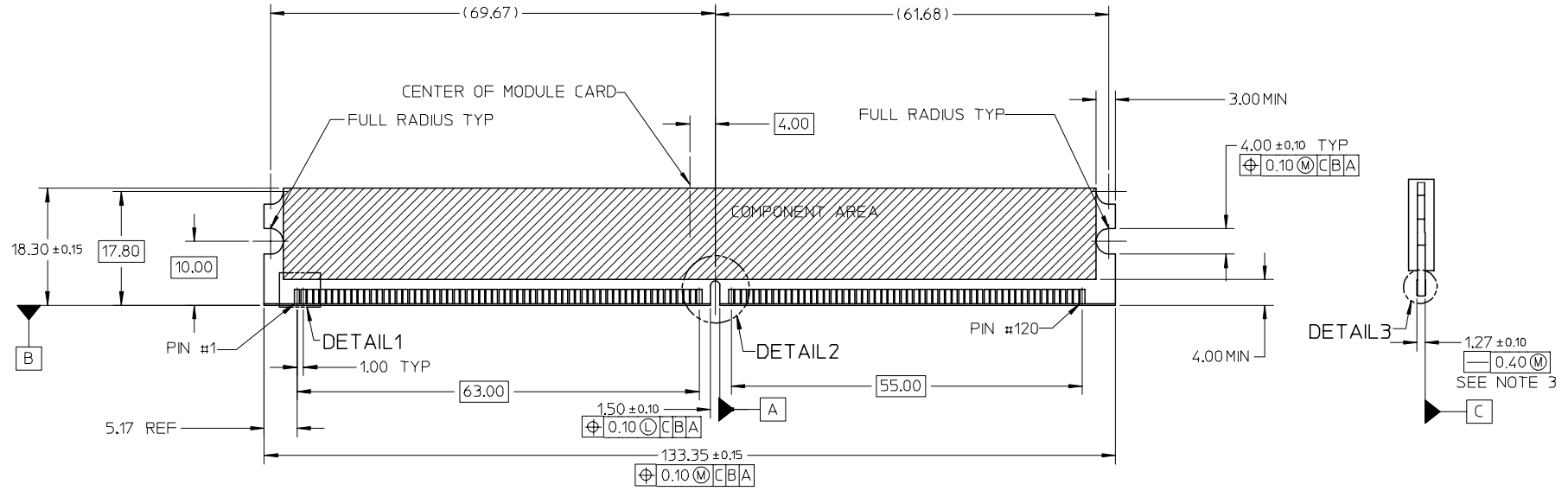


- NOTES:**
- MATERIALS**
HOUSING - HIGH TEMP NYLON GLASS FILLED, UL 94V-0, COLOR - BLACK
EJECTOR - HIGH TEMP NYLON 46, COLOR: BLACK
TERMINAL - PHOSPHOR BRONZE
 - PLATING** - SEE TABLE IN SHEET 4.
 - CARD SLOT ACCEPTS 1.27±0.10MM MODULE THICKNESS.
 - RECOMMENDED MODULE LAYOUT SHALL BE AS PER JEDEC MO-237.
 - REFER TO PRODUCT SPEC, PS-78065-100 FOR PERFORMANCE SPECIFICATIONS.
 - PRODUCT SHALL BE PACKED IN TRAY.
 - PRODUCT SHALL HAVE DATE CODE STAMPED ON SIDE OF HOUSING.
 - KEEP OUT AREA IS THE AREA WHERE THE CONNECTOR IS MOUNTED ONTO THE PCB WHICH DOES NOT INCLUDE THE LATCH.
 - KEEP OUT ZONE AS PER JEDEC S0-001.
 - DIMM MODULE SEATING PLANE FROM TOP OF PCB.
 - CONTACT MOLEX FOR AVAILABILITY OF PRODUCT OPTIONS.
 - PART NUMBER SHALL BE MARKED LEGIBLY AS 78065-****.

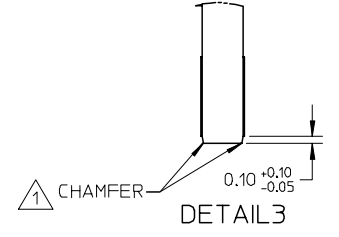
| | | | | | | | | | | |
|--------------------------------------------------------------------------------|----------------------------------------|--------------------------------|---------------------------------------------------------|----------------------|------------------------------|---------------------|-------------------------|------------------------|------------------------|---------------------------------------------------------------|
| UPDATE M.C DWG EC NO: S2008-0319 DRWN:CMTEO CHKD:CCTEH APPR:SHLENI | 2007/10/18 2007/10/19 2007/10/22 | QUALITY SYMBOLS ▽=0 ▽C=0 | GENERAL TOLERANCES (UNLESS SPECIFIED) | | DIMENSION STYLE MM ONLY | | SCALE NTS | DESIGN UNITS METRIC | THIRD ANGLE PROJECTION | |
| | | | 4 PLACES ± --- ± --- | 3 PLACES ± --- ± --- | 2 PLACES ± 0.20 ± --- | 1 PLACE ± --- ± --- | ANGULAR ± 5 ° | DRAWN BY VMANICKAM | DATE 2006/04/11 | TITLE VLP DDR2 DIMM, 1MM PITCH 240 CKTS, VERT. PRESSFIT |
| A1 | REV | DESCRIPTION | DRAFT WHERE APPLICABLE MUST REMAIN WITHIN DIMENSIONS | | SEE TABLE | | APPROVED BY SRRAMESH | | DATE 2006/06/22 | MOLEX INCORPORATED |
| | | | MATERIAL NO. | | DOCUMENT NO. SD-78065-001 | | SHEET NO. 1 OF 4 | | | |

10 9 8 7 6 5 4 3 2 1

RECOMMENDED MODULE LAYOUT



| KEY LOCATION | VOLTAGE |
|--------------|---------|
| CENTER | 1.8V |



NOTES:
 CHAMFER MODULE CARD USED FOR TESTS ARE WITH 0.10MM CHAMFER.

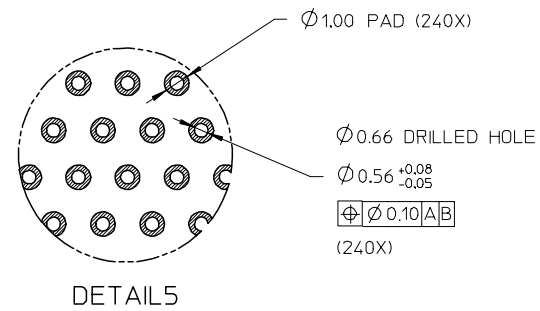
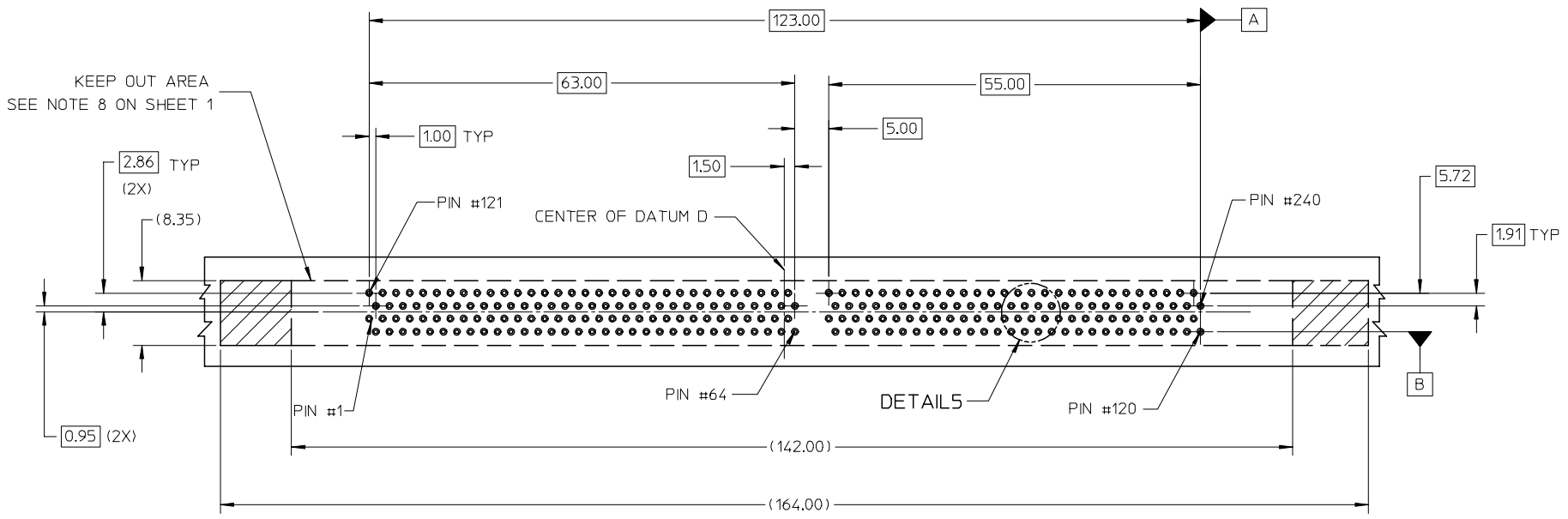
| | | | | | | | |
|-----------------------------------------------------------------------------------------------------------------|---------------------------------------------------------|-------------------------------------------------------------------------------------------------------------------------------------------------------------------|--------------------------------------------------------------------------------------------------------------------------------------------------------|------------------------------|------------------------|------------------------|---------------------------------------------------------------|
| UPDATE M.C DWG EC NO: S2008-0319 DRWN:CMTEO 2007/10/18 CHKD:CCTEH 2007/10/19 APPR:SHLENI 2007/10/22 | QUALITY SYMBOLS ▽=0 ▽=0 | GENERAL TOLERANCES (UNLESS SPECIFIED) mm INCH 4 PLACES ± --- ± --- 3 PLACES ± --- ± --- 2 PLACES ± 0.20 ± --- 1 PLACE ± --- ± --- ANGULAR ± 5 ° | DIMENSION STYLE MM ONLY DRAWN BY DATE VMANICKAM 2006/04/11 CHECKED BY DATE SHLENI 2006/06/22 APPROVED BY DATE SRRAMESH 2006/06/22 | SCALE NTS | DESIGN UNITS METRIC | THIRD ANGLE PROJECTION | TITLE VLP DDR2 DIMM, 1MM PITCH 240 CKTS, VERT. PRESSFIT |
| | DRAFT WHERE APPLICABLE MUST REMAIN WITHIN DIMENSIONS | SEE TABLE | MATERIAL NO. | DOCUMENT NO. SD-78065-001 | SHEET NO. 2 OF 4 | | |
| | SIZE A3 | THIS DRAWING CONTAINS INFORMATION THAT IS PROPRIETARY TO MOLEX INCORPORATED AND SHOULD NOT BE USED WITHOUT WRITTEN PERMISSION | | | | | |
| | MOLEX INCORPORATED | | | | | | |

9 8 7 6 5 4 3 2 1

10 9 8 7 6 5 4 3 2 1

F
E
D
C
B
A

(SEE RECOMMENDED THICKNESS IN TABLE)
RECOMMEND PCB LAYOUT
CONNECTOR SIDE



| | | | | | | | | | | |
|-----------------------------------------------------------------------------------------------------------------|------------------------------------------------------------|---------------------------------------|--------------|----------------------------|----------------------------------------------------------------------------------------------------------------------------------|--------------|------------------------------------------------------|------------------------|--|--|
| UPDATE M.C DWG EC NO: S2008-0319 DRWN:CMTEO 2007/10/18 CHKD:CCTEH 2007/10/19 APPR:SHLENI 2007/10/22 | QUALITY SYMBOLS ▽=0 ▽C=0 | GENERAL TOLERANCES (UNLESS SPECIFIED) | | DIMENSION STYLE MM ONLY | | SCALE NTS | DESIGN UNITS METRIC | THIRD ANGLE PROJECTION | | |
| | | | mm | INCH | DRAWN BY | DATE | TITLE | | | |
| | | 4 PLACES | ± --- | ± --- | VMANICKAM | 2006/04/11 | VLP DDR2 DIMM, 1MM PITCH 240 CKTS, VERT. PRESSFIT | | | |
| | | 3 PLACES | ± --- | ± --- | CHECKED BY | DATE | MOLEX INCORPORATED | | | |
| | 2 PLACES | ± 0.20 | ± --- | SHLENI | 2006/06/22 | SD-78065-001 | | | | |
| | 1 PLACE | ± --- | ± --- | APPROVED BY | DATE | SHEET NO. | | | | |
| | ANGULAR ± 5 ° | | MATERIAL NO. | | DOCUMENT NO. | | 3 OF 4 | | | |
| | DRAFT WHERE APPLICABLE MUST REMAIN WITHIN DIMENSIONS | | SEE TABLE | | THIS DRAWING CONTAINS INFORMATION THAT IS PROPRIETARY TO MOLEX INCORPORATED AND SHOULD NOT BE USED WITHOUT WRITTEN PERMISSION | | | | | |

9 8 7 6 5 4 3 2 1

TIN OPTION

| PART NO. | VOLTAGE KEY POS. | VOLTAGE | DIM 'P' | RECOMMENDED PCB THICKNESS | CONTACT AREA PLATING OPTION | SOLDERTAIL PLATING OPTION | LATCH COLOR |
|------------|------------------|---------|---------|---------------------------|-------------------------------------------------------------------|----------------------------------------------------------------------|-------------|
| 78065-8001 | CENTER | 1.8V | 3.30 | 3.60 | 0.76µM/30µM MIN GOLD OVER 1.27µM/50µM MIN NICKEL UNDERPLATE | 0.38-1.52µM/15-60µM TIN OVER 1.27µM/50µM MIN NICKEL UNDERPLATE | BLACK |
| 78065-8002 | | | 4.20 | 4.57 | | | |

TIN/LEAD OPTION

| PART NO. | VOLTAGE KEY POS. | VOLTAGE | DIM 'P' | RECOMMENDED PCB THICKNESS | CONTACT AREA PLATING OPTION | SOLDERTAIL PLATING OPTION | LATCH COLOR |
|------------|------------------|---------|---------|---------------------------|-------------------------------------------------------------------|---------------------------------------------------------------------------|-------------|
| 78065-8101 | CENTER | 1.8V | 3.30 | 3.60 | 0.76µM/30µM MIN GOLD OVER 1.27µM/50µM MIN NICKEL UNDERPLATE | 0.38-1.52µM/15-60µM TIN/LEAD OVER 1.27µM/50µM MIN NICKEL UNDERPLATE | BLACK |
| 78065-8102 | | | 4.20 | 4.57 | | | |

| UPDATE M.C DWG EC NO: S2008-0319 DRWN:CMTEO CHKD:CCTEH APPR:SHLENI | 2007/10/18 2007/10/19 2007/10/22 | DESCRIPTION REV | QUALITY SYMBOLS ▽=0 ▽=0 | GENERAL TOLERANCES (UNLESS SPECIFIED) <table border="1"> <thead> <tr> <th></th> <th>mm</th> <th>INCH</th> </tr> </thead> <tbody> <tr> <td>4 PLACES</td> <td>± ---</td> <td>± ---</td> </tr> <tr> <td>3 PLACES</td> <td>± ---</td> <td>± ---</td> </tr> <tr> <td>2 PLACES</td> <td>± 0.20</td> <td>± ---</td> </tr> <tr> <td>1 PLACE</td> <td>± ---</td> <td>± ---</td> </tr> </tbody> </table> ANGULAR ± 5 ° | | mm | INCH | 4 PLACES | ± --- | ± --- | 3 PLACES | ± --- | ± --- | 2 PLACES | ± 0.20 | ± --- | 1 PLACE | ± --- | ± --- | DIMENSION STYLE MM ONLY DRAWN BY: VMANICKAM DATE: 2006/04/11 CHECKED BY: SHLENI DATE: 2006/06/22 APPROVED BY: SRRAMESH DATE: 2006/06/22 | SCALE: NTS DESIGN UNITS: METRIC THIRD ANGLE PROJECTION | TITLE: VLP DDR2 DIMM, 1MM PITCH 240 CKTS, VERT. PRESSFIT MOLEX INCORPORATED DOCUMENT NO. SD-78065-001 | SHEET NO. 4 OF 4 |
|--------------------------------------------------------------------------------|----------------------------------------|--------------------|---------------------------------------------------------|-----------------------------------------------------------------------------------------------------------------------------------------------------------------------------------------------------------------------------------------------------------------------------------------------------------------------------------------------------------------------------------------------------------------|-------------------------------------------------------------------------------------------------------------------------------|----|------|----------|-------|-------|----------|-------|-------|----------|--------|-------|---------|-------|-------|--------------------------------------------------------------------------------------------------------------------------------------------------------------|--------------------------------------------------------------|----------------------------------------------------------------------------------------------------------------|------------------|
| | | mm | INCH | | | | | | | | | | | | | | | | | | | | |
| | 4 PLACES | ± --- | ± --- | | | | | | | | | | | | | | | | | | | | |
| | 3 PLACES | ± --- | ± --- | | | | | | | | | | | | | | | | | | | | |
| 2 PLACES | ± 0.20 | ± --- | | | | | | | | | | | | | | | | | | | | | |
| 1 PLACE | ± --- | ± --- | | | | | | | | | | | | | | | | | | | | | |
| A1 | | | DRAFT WHERE APPLICABLE MUST REMAIN WITHIN DIMENSIONS | SEE TABLE | THIS DRAWING CONTAINS INFORMATION THAT IS PROPRIETARY TO MOLEX INCORPORATED AND SHOULD NOT BE USED WITHOUT WRITTEN PERMISSION | | | | | | | | | | | | | | | | | | |