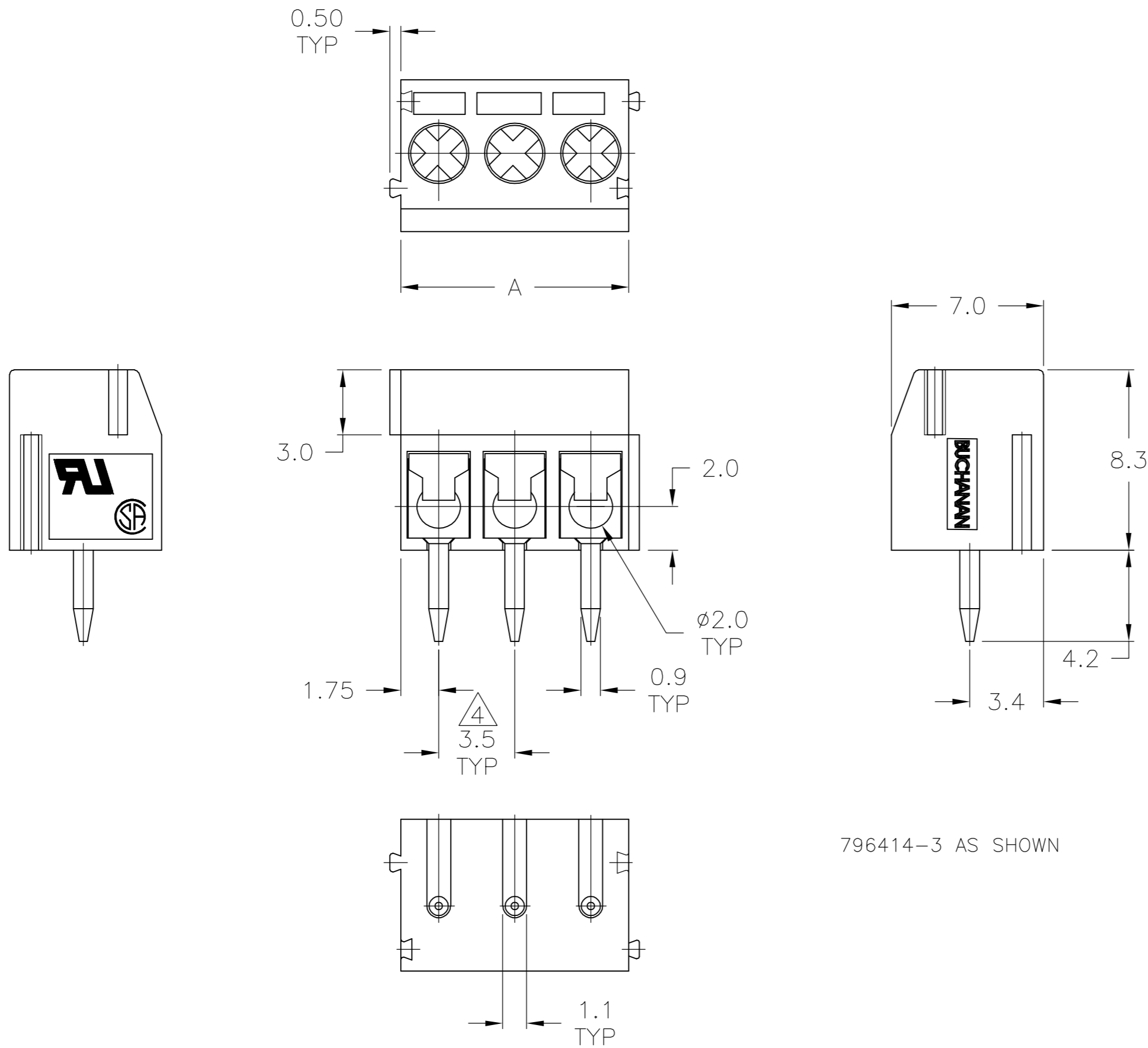


THIS DRAWING IS UNPUBLISHED. RELEASED FOR PUBLICATION
 © COPYRIGHT BY TYCO ELECTRONICS CORPORATION. ALL RIGHTS RESERVED.

LOC	DIST	REVISIONS					
		P	LTR	DESCRIPTION	DATE	DWN	APVD
FT	0	D1		REVISED PER ECO-06-16798	7/14/06	SS	CR

1. ALL DIMENSIONS ARE IN MM.
2. RECOMMENDED PC BOARD HOLE DIAMETER: 1.20-1.40.
3. BUCHANAN LOGO TO APPEAR ON HOUSING LOCATION OPTIONAL WHERE SPACE PERMITS.

△ NON CUMULATIVE



DIM A	NO OF POSN	PART NUMBER
84.00	24	2-796414-4
80.50	23	2-796414-3
77.00	22	2-796414-2
73.50	21	2-796414-1
70.00	20	2-796414-0
66.50	19	1-796414-9
28.00	18	1-796414-8
59.50	17	1-796414-7
56.00	16	1-796414-6
52.50	15	1-796414-5
49.00	14	1-796414-4
45.50	13	1-796414-3
42.00	12	1-796414-2
38.50	11	1-796414-1
35.00	10	1-796414-0
31.50	9	796414-9
28.00	8	796414-8
24.50	7	796414-7
21.00	6	796414-6
17.50	5	796414-5
14.00	4	796414-4
10.50	3	796414-3
7.00	2	796414-2

THIS DRAWING IS A CONTROLLED DOCUMENT.

DWN: E ZANOLINI 11JUN2002
 CHK: D.A. BIEVENOUR 11/8/02
 APVD: D.A. BIEVENOUR 11/8/02

BUCHANAN Tyco Electronics Corporation
 Harrisburg, PA 17105

NAME: D.A. BIEVENOUR
 PRODUCT SPEC: -
 APPLICATION SPEC: -
 WEIGHT: -

TERMINAL BLOCK, PCB MOUNT,
 STRAIGHT SIDE WIRE ENTRY,
 W/ INTERLOCK 3.5MM PITCH

SIZE: A2 CAGE CODE: 00779 DRAWING NO: C=796414 RESTRICTED TO: -
 SCALE: 5:1 SHEET: 1 OF 2 REV: D1

CUSTOMER DRAWING

THIS DRAWING IS UNPUBLISHED. RELEASED FOR PUBLICATION
 © COPYRIGHT BY TYCO ELECTRONICS CORPORATION. ALL RIGHTS RESERVED.

LOC	DIST	REVISIONS					
FT	0	P	LTR	DESCRIPTION	DATE	DWN	APVD
		-		SEE SHEET 1	-	-	-

1. APPLICATION AND FEATURES:

- 1-1. STANDARD SIZES ARE 2 AND 3 WAY-BLOCKS, BUT EVERY NUMBER OF CONTACT CAN BE COMBINED, BY SIMPLY PLUGGING THEM TOGETHER AND CAN BE ORDERED AS REQUIRED.
- 1-2. WITH WIRE GUARD FOR WIRE PROTECTION SO THAT THE SCREW DOESN'T PRESS DIRECTLY ON THE WIRE.

2. TECHNICAL DATA:

- 2-1. MATERIAL:
 - 2-1-1. HOUSING: NY-FR15 UL 94 V-0.
 - 2-1-2. METAL HOUSING: BRASS(Cu Zn)
Cu, TIN PLATED.
 - 2-1-3. WIRE GUARD: STAINLESS STEEL.
 - 2-1-4. SCREW: STEEL GALVANIZED AND CHROMATIZED, M2.6.

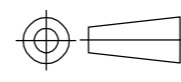
2-2. ELECTRICAL:

- 2-2-1. CURRENT RATING: RATING: 7 AMPS/WAY MAX.
- 2-2-2. CONTACT RESISTANCE: 20mΩ (MAX).
- 2-2-3. INSULATION RESISTANCE: 5000MΩ/1000V.
- 2-2-4. WITHSTANDING VOLTAGE: 1500 VAC/MIN.
- 2-2-5. OPERATION VOLTAGE: 250 VAC.
- 2-2-6. WIRE RANGE: 18-26 AWG.

2.3. MECHANICAL:

- 2-3-1. TORQUE: 4 Kg.cm (MAX).
- 2-3-3. OPERATING TEMPERATURE: -55°C to +105°C.
- 2-3-4. SOLDERABILITY: 95% COVERAGE (MIN).

796414

THIS DRAWING IS A CONTROLLED DOCUMENT.		DWN E ZANOLINI 11JUN2002	Tyco Electronics Corporation Harrisburg, PA 17105	
DIMENSIONS: MM		CHK D.A. BIEVENOUR 11/8/02	BUCHANAN NAME TERMINAL BLOCK, PCB MOUNT, STRAIGHT SIDE WIRE ENTRY, W/ INTERLOCK 3.5MM PITCH	
		APVD D.A. BIEVENOUR 11/8/02		
TOLERANCES UNLESS OTHERWISE SPECIFIED:		PRODUCT SPEC	SIZE A2	CAGE CODE 00779
0 PLC ± - 1 PLC ± 0.3 2 PLC ± 0.25 3 PLC ± - 4 PLC ± - ANGLES ± -		APPLICATION SPEC	DRAWING NO C=796414	RESTRICTED TO -
MATERIAL -		FINISH -	WEIGHT -	SCALE 5:1
CUSTOMER DRAWING			SHEET 2	OF 2
			REV D1	