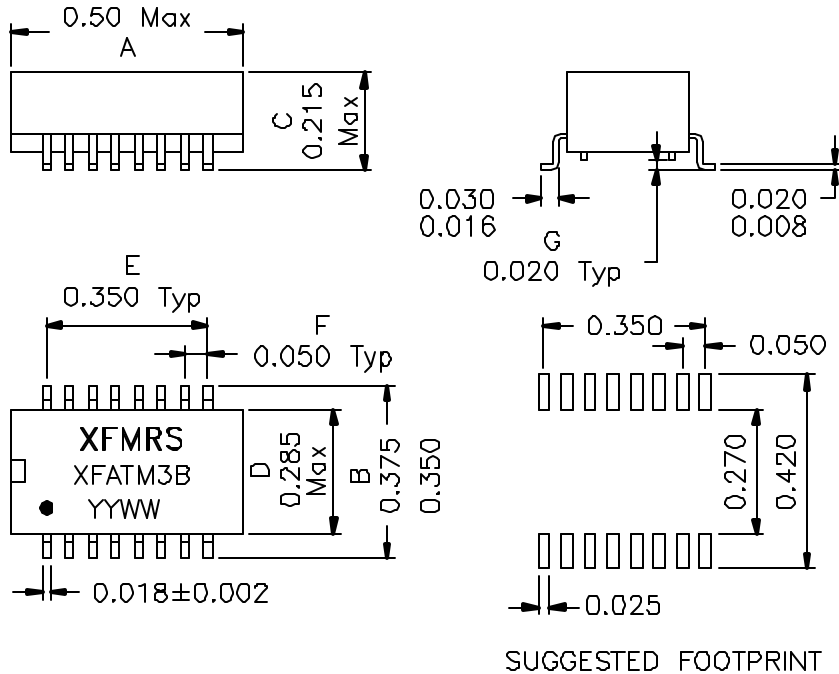
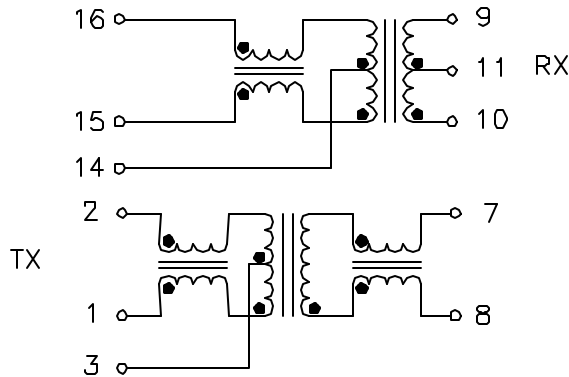


1. Dimensions:



2. Schematic:



DOC. REV. A/5

3. Electrical Specifications: @25°C

Isolation Voltage: 1500 VAC

Turns Ratio: RX 1CT:1CT TX 1CT:1

OCL (1-2,9-10): 350uH Minimum

@100KHz 100mV With 8mADC

INSERTION LOSS: @0.3-125MHz -1.1dB Max

Rise Time (10-90%): 40ns Typ

Return Loss : 30MHz 60MHz 80MHz
-20dB -14dB -11.5dB (Typical)

CROSSTALK: @0.1-60MHz -40dB Max

@60-100MHz -38dB Max

Diff. to Common Mode Rejection (Min):

@0.1-60MHz -42dB TX/-40dB RX

@60-100MHz -40dB TX/-30dB RX

Note:

1. Solderability: Leads shall meet MIL-STD-202, Method 208D for solderability.
2. Flammability: UL94V-0,
3. ASTM oxygen index: > 28% ,
4. Temperature rating: 155°C. UL file E151556,
5. Operating Temperature Range: -40°C to +85°C

XFMR5 Inc	Title: 10/100BASE-T MAGNETICS MODULES		
	UNLESS OTHERWISE SPECIFIED	P/N: XFATM3B	REV. A
	TOLERANCES: .xxx ±0.010	DWN. 廖玉坤	Apr-16-01
	Dimensions in Inch	CHK. 李清儿	Apr-16-01
SHEET 1 OF 1	APP. Joe Huff	Apr-16-01	