

PLEASE CHECK WWW.MOLEX.COM FOR LATEST PART INFORMATION

Part Number: **5019204001**
Status: **Active**
Overview: slimstack_050mm_020_pitch
Description: 0.50mm (.020") Pitch SlimStack™ Board-to-Board Plug, SMT, Dual Row, Vertical Stacking, 4.00mm (.157") Stack Height, Without Solder Tabs, 40 Circuits

Documents:

[3D Model](#) [Product Specification PS-52991-008 \(PDF\)](#)
[Drawing \(PDF\)](#) [RoHS Certificate of Compliance \(PDF\)](#)

General

Product Family	PCB Headers
Series	<u>501920</u>
Application	Board-to-Board
Overview	<u>slimstack_050mm_020_pitch</u>
Product Name	SlimStack™

Physical

Breakaway	No
Circuits (Loaded)	40
Color - Resin	Black
Durability (mating cycles max)	30
Glow-Wire Compliant	No
Guide to Mating Part	No
Keying to Mating Part	None
Lock to Mating Part	None
Mated Height (in)	0.157 In
Mated Height (mm)	4.00 mm
Material - Metal	Copper Alloy
Material - Plating Mating	Gold
Material - Plating Termination	Tin
Number of Rows	2
Orientation	Vertical
PCB Locator	No
PCB Retention	None
Packaging Type	Embossed Tape on Reel
Pitch - Mating Interface (in)	0.020 In
Pitch - Mating Interface (mm)	0.50 mm
Polarized to Mating Part	No
Polarized to PCB	No
Stackable	No
Surface Mount Compatible (SMC)	Yes
Temperature Range - Operating	-40°C to +105°C
Termination Interface: Style	Surface Mount

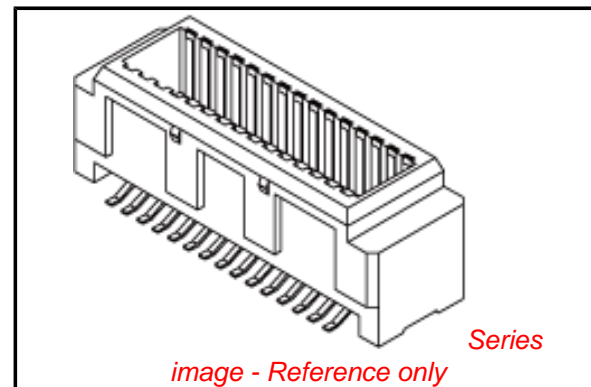
Electrical

Current - Maximum per Contact	0.5A
Voltage - Maximum	50V AC (RMS)/DC

Material Info

Reference - Drawing Numbers

Product Specification	PS-52991-008, RPS-52991-015
Sales Drawing	SD-501920-001, SD-501920-002



EU RoHS

ELV and RoHS Compliant
REACH SVHC
 Not Reviewed
Halogen-Free
Status
Not Reviewed

China RoHS



Need more information on product environmental compliance?

Email productcompliance@molex.com
 For a multiple part number RoHS Certificate of Compliance, [click here](#)

Please visit the [Contact Us](#) section for any non-product compliance questions.

Search Parts in this Series

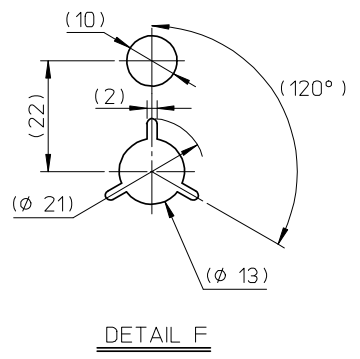
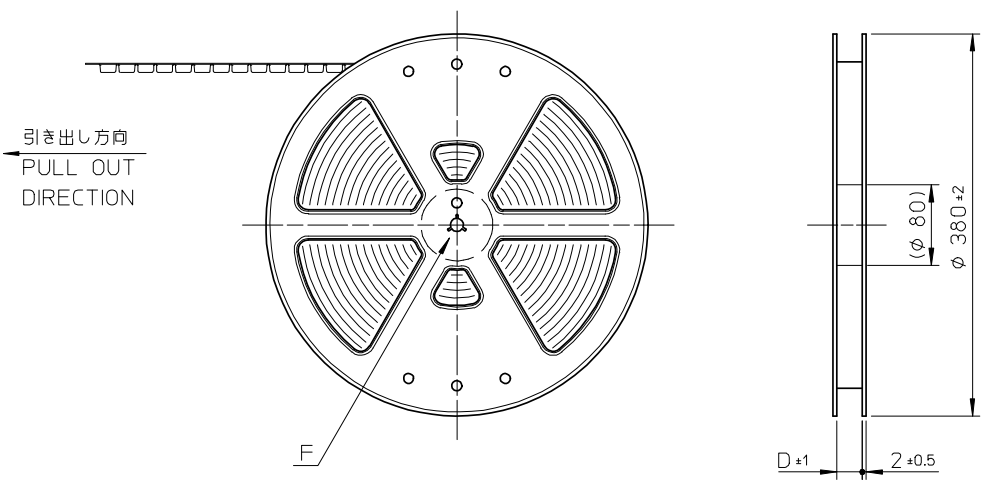
[501920Series](#)

Mates With

SlimStack™ Receptacle [52991](#) , [54167](#)

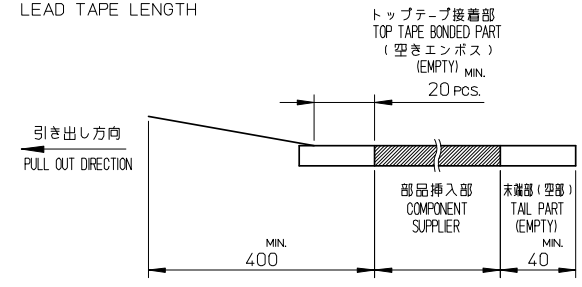
This document was generated on 05/26/2010

PLEASE CHECK WWW.MOLEX.COM FOR LATEST PART INFORMATION

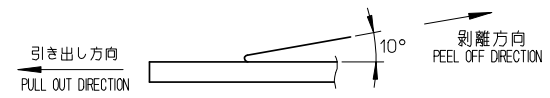


NOTES

- 製品詳細寸法については、製品単体図面を御参照下さい。
For detail of connector dimensions, please see the drawing of connector itself (not packaged)
- 梱包数量 : 1500 個/リール
NUMBER OF CONNECTORS : 1500 PCS/REEL
- リードテープ長さ
LEAD TAPE LENGTH

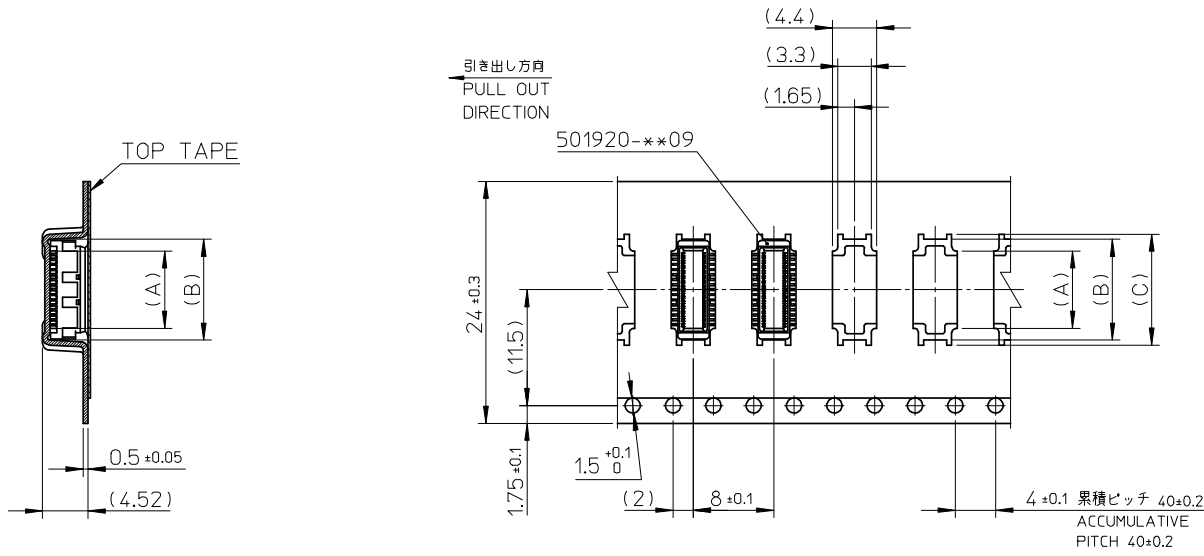


- トップテープの剥離強度 : 0.1N ~ 1.3N (10gf~130gf)
(剥離方向は下図参照)
尚、本規格値は、出荷時に適用。(但し、輸送時に剥離が発生しない事。)
PEELING OFF FORCE OF TOP TAPE 0.1N~1.3N (10gf~130gf)
(PEELING DIRECTION AS SHOWN IN FOLLOWING FIG.)
THIS REQUIREMENT SHOULD BE APPLIED AT SHIPMENT.
(PEEL OFF SHOULD NOT BE ALLOWED, DURING TRANSPORTATION.)



- 材料
キャリアテープ : ポリプロピレン
トップテープ : PET ,PE ,PEF
リール : ポリスチレン(PS) <リサイクル材を含む>
MATERIAL
CARRIER TAPE : POLYPROPYLENE
TOP TAPE : PET ,PE ,PEF
REEL : POLYSTYRENE(PS) <RECYCLE MATERIAL CONTAINED>
- ELV AND RoHS COMPLIANT.

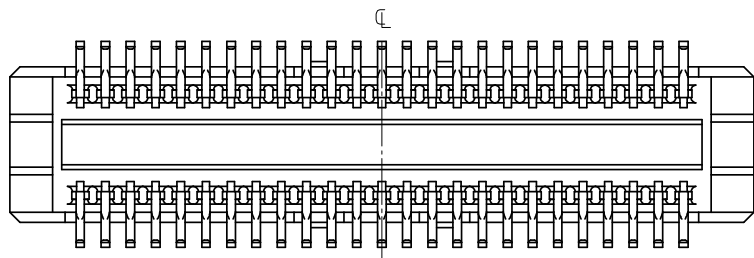
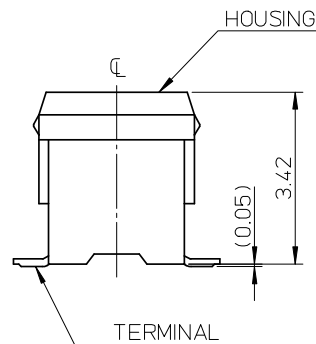
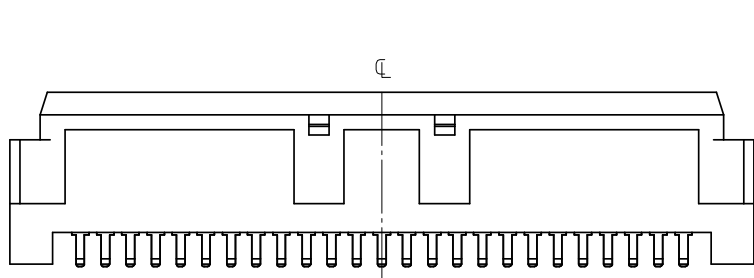
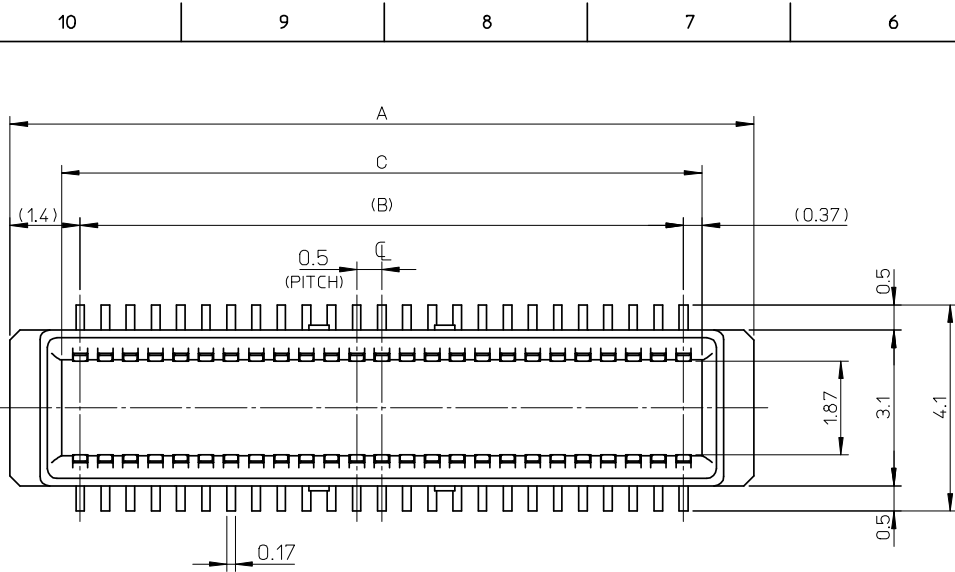
REVISED EC NO: J2008-2863 DRWN:TKAHO 2008/01/29 CHKD:MSASAO 2008/01/29 APPR:MSASAO 2008/02/05	DESCRIPTION REV	GENERAL TOLERANCES (UNLESS SPECIFIED)		DIMENSION STYLE MM ONLY		501920-**-01		MODEL NO.		
				DRAWN BY DATE		SCALE	DESIGN UNITS	THIRD ANGLE PROJECTION		
		10 UNDER ±0.2		M. ISOGAYA 2005/08/18		#	METRIC	TITLE EMBSTP PKG FOR 0.5 PITCH B/B CONN. PLUG HSG ASSY		
		10 OVER 30 UNDER ±0.25		T. HIRATA 2005/08/18		TILE				
30 OVER ±0.3		APPROVED BY DATE		MATERIAL NO.		DOCUMENT NO.		SHEET NO.		
ANGULAR ±1 °		M. SASAO 2005/08/18		SEE SHEET 2		SD-501920-002		1 OF 2		
DRAFT WHERE APPLICABLE MUST REMAIN WITHIN DIMENSIONS		SIZE A3		THIS DRAWING CONTAINS INFORMATION THAT IS PROPRIETARY TO MOLEX INCORPORATED AND SHOULD NOT BE USED WITHOUT WRITTEN PERMISSION						



24mm幅キャリアテープ
24mm WIDTH CARRIER TAPE

24	25.4	16.0	15.0	12.67	501920-5001	50
		13.5	12.5	10.17	501920-4001	40
		11.0	10.0	7.67	501920-3001	30
キャリアテープ幅 CARRIER TAPE WIDTH	D	(C)	(B)	(A)	MATERIAL NO.	CIRCUIT

REVISED EC NO: J2008-2863 DRWN:TKAIHO 2008/01/29 CHKD:MSASAO 2008/01/29 APPR:MSASAO 2008/02/05 REV B	DESCRIPTION GENERAL TOLERANCES (UNLESS SPECIFIED) 10 UNDER ±0.2 10 OVER 30 UNDER ±0.25 30 OVER ±0.3 ANGULAR ±1 ° DRAFT WHERE APPLICABLE MUST REMAIN WITHIN DIMENSIONS	DIMENSION STYLE MM ONLY		SCALE //	DESIGN UNITS METRIC	THIRD ANGLE PROJECTION	
		DRAWN BY M. ISOGAYA DATE 2005/08/18		TITLE			
		CHECKED BY T. HIRATA DATE 2005/08/18		EMBSTP PKG FOR 0.5 PITCH B/B CONN. PLUG HSG ASSY			
		APPROVED BY M. SASAO DATE 2005/08/18		MOLEX INCORPORATED			
		MATERIAL NO. SEE TABLE		DOCUMENT NO. SD-501920-002		SHEET NO. 2 OF 2	



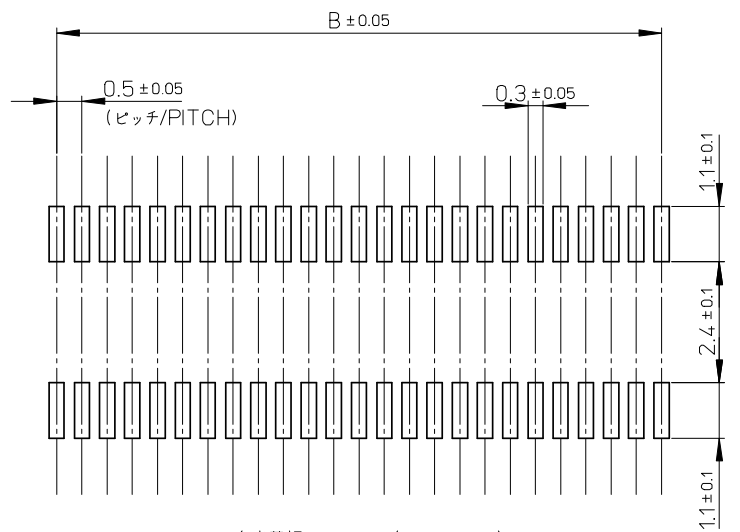
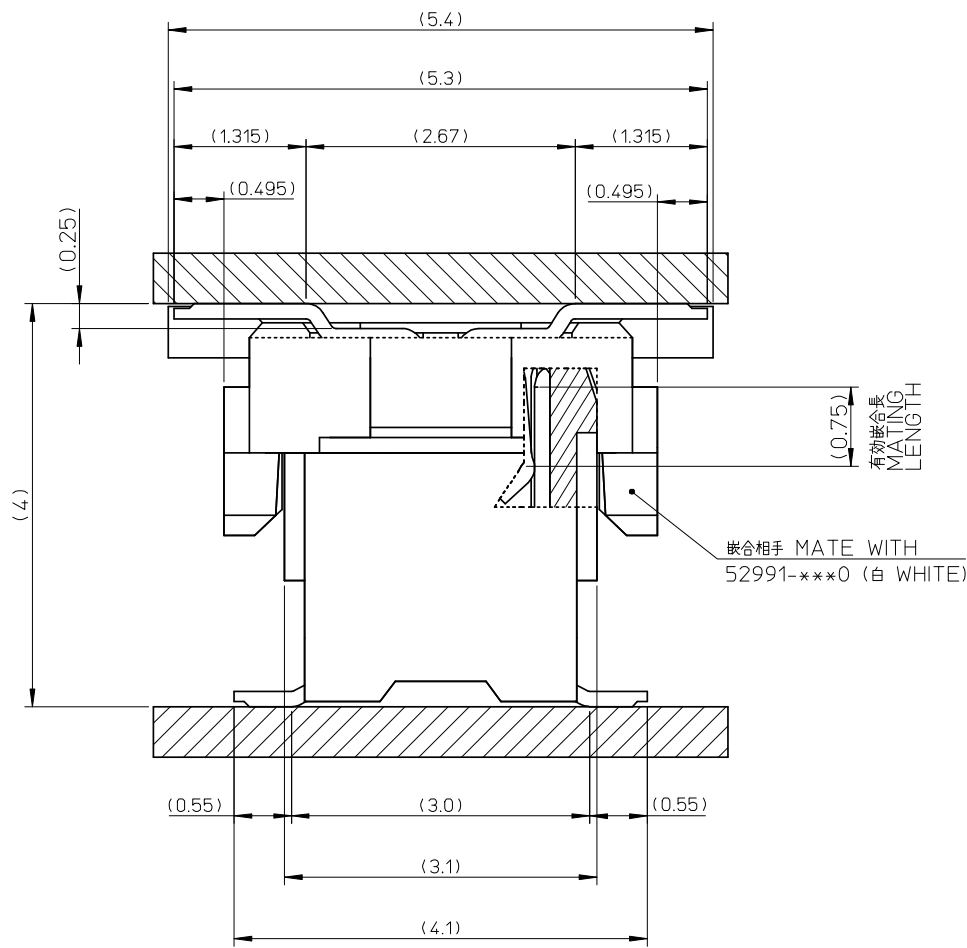
NOTES

- 1.材質
 MATERIAL
 ハウジング : LCP(液晶ポリマー)、ガラス充填、黒色、UL94V-0
 HOUSING : GLASS FILLED LIQUID CRYSTAL POLYMER ,BLACK ,UL94V-0
 ターミナル : 銅合金 (t=0.15)
 TERMINAL : COPPER ALLOY (t=0.15)
- 2.メッキ仕様
 PLATING
 ターミナル
 TERMINAL
 接点部 : 金メッキ
 CONTACT AREA : GOLD
 半田付け部 : 錫メッキ
 SOLDER TAIL AREA : TIN
 下地メッキ : ニッケルメッキ
 UNDER PLATING : NICKEL
- 3.テール平坦度 : 0.1 MAX.
 COPLANARITY : 0.1 MAXIMUM
4. ELV AND RoHS COMPLIANT.

12.74	12.0	14.8	501920-5001	501920-5009	50
C	B	A	エンボス梱包 EMBOSSED TAPE PACKAGING	製品番号 MATERIAL NO.	CIRCUIT

REVISED EC NO: J2009-0002 DRWN:TKAIHO 2008/07/04 CHKD:THIRATA 2008/07/04 APPR:MSASAO 2008/07/07	GENERAL TOLERANCES (UNLESS SPECIFIED)		DIMENSION STYLE MM ONLY		SCALE 10:1	DESIGN UNITS METRIC	501920-**09	MODEL NO.
	10 UNDER	±0.2	DRAWN BY TKAIHO	DATE 2008/01/28	THIRD ANGLE PROJECTION 0.5 PITCH B/B CONN. PLUG HSG ASSY			
	10 OVER 30 UNDER	±0.25	CHECKED BY MSASAO	DATE 2008/01/29				
	30 OVER	±0.3	APPROVED BY MSASAO	DATE 2008/01/29	MOLEX INCORPORATED		SHEET NO. 1 OF 2	
ANGULAR ±1 °		MATERIAL NO. SEE TABLE		DOCUMENT NO. SD-501920-003		THIS DRAWING CONTAINS INFORMATION THAT IS PROPRIETARY TO MOLEX INCORPORATED AND SHOULD NOT BE USED WITHOUT WRITTEN PERMISSION		
DRAFT WHERE APPLICABLE MUST REMAIN WITHIN DIMENSIONS		SIZE A3						

10 9 8 7 6 5 4 3 2 1



参考基板レイアウト (マウント面)
 RECOMMENDED P.C.BOARD
 PATTERN DIMENSION (REF.)
 (MOUNT AREA) (SCALE 10:1)

嵌合状態図(参考)
 MATED DRAWING (REF.)

REVISED EC NO: J2009-0002 DRWN:TKAIHO 2008/07/04 CHKD:THIRATA 2008/07/04 APPR:MSASAO 2008/07/07 A	GENERAL TOLERANCES (UNLESS SPECIFIED)		DIMENSION STYLE MM ONLY		501920-***09		MODEL NO.	
	10 UNDER	±0.2	DRAWN BY DATE TKAIHO 2008/01/28		SCALE 100:10	DESIGN UNITS METRIC	THIRD ANGLE PROJECTION	
	10 OVER 30 UNDER	±0.25	CHECKED BY DATE MSASAO 2008/01/29		TITLE 0.5 PITCH B/B CONN. PLUG HSG ASSY			
	30 OVER	±0.3	APPROVED BY DATE MSASAO 2008/01/29		MOLEX INCORPORATED			
	ANGULAR ±1 ° DRAFT WHERE APPLICABLE MUST REMAIN WITHIN DIMENSIONS		MATERIAL NO. SEE SHEET 1		DOCUMENT NO. SD-501920-003	SHEET NO. 2 OF 2		