

PLEASE CHECK WWW.MOLEX.COM FOR LATEST PART INFORMATION

Part Number: **0365000123**
Status: **Active**
Overview: din_41612
Description: 2.54mm (.100") Pitch DIN 41612 C Style Female Receptacle, Vertical, Through Hole, 0.30µm (12µ") Selective Gold (Au) Plating, 64 Circuits, without Mounting Clips, Solder Tail Length 4.50mm (.177"), No Flux Proof, Lead Free

Documents:

[Drawing \(PDF\)](#) [RoHS Certificate of Compliance \(PDF\)](#)
[Product Specification PS-36500-001 \(PDF\)](#)

General

Product Family	Backplane Connectors
Series	<u>36500</u>
Application	Daughtercard
Comments	No Mounting Clips, Secured with Tubular Rivets/ Cheesehead Screws. No Flux Proof
Component Type	PCB Receptacle
Overview	<u>din_41612</u>
Product Name	IEC 603-2/DIN 41612
Style	C

Physical

Circuits (Loaded)	64
Circuits (maximum)	64
Circuits Detail	1,2,3,...32; a+c
Color - Resin	Gray
Durability (mating cycles max)	50
First Mate / Last Break	Yes
Guide to Mating Part	No
Keying to Mating Part	Yes
Material - Metal	Phosphor Bronze
Material - Plating Mating	Gold
Material - Plating Termination	Tin
Material - Resin	Polyester
Number of Columns	32
Number of Pairs	Open Pin Field
Number of Rows	2
Orientation	Vertical
PC Tail Length (in)	0.177 In
PC Tail Length (mm)	4.50 mm
PCB Locator	No
PCB Retention	Yes
PCB Thickness Recommended (in)	0.063 In
PCB Thickness Recommended (mm)	1.60 mm
Packaging Type	Carton
Pitch - Mating Interface (in)	0.100 In
Pitch - Mating Interface (mm)	2.54 mm
Pitch - Term. Interface (in)	0.100 In
Pitch - Term. Interface (mm)	2.54 mm
Plating min: Mating (µin)	12
Plating min: Mating (µm)	0.30
Plating min: Termination (µin)	200
Plating min: Termination (µm)	5.00
Polarized to PCB	Yes
Stackable	No

EU RoHS

ELV and RoHS

Compliant

REACH SVHC

Not Reviewed

Halogen-Free

Status

Not Reviewed

China RoHS



Need more information on product environmental compliance?

Email productcompliance@molex.com
 For a multiple part number RoHS Certificate of Compliance, [click here](#)

Please visit the [Contact Us](#) section for any non-product compliance questions.

Search Parts in this Series

36500Series

Surface Mount Compatible (SMC)	No
Temperature Range - Operating	-55°C to +125°C
Termination Interface: Style	Through Hole

Electrical

Current - Maximum per Contact	1A
Data Rate	622.0 Mbps
Voltage - Maximum	250V AC (RMS)

Solder Process Data

Lead-free Process Capability	Wave Capable (TH only)
------------------------------	------------------------

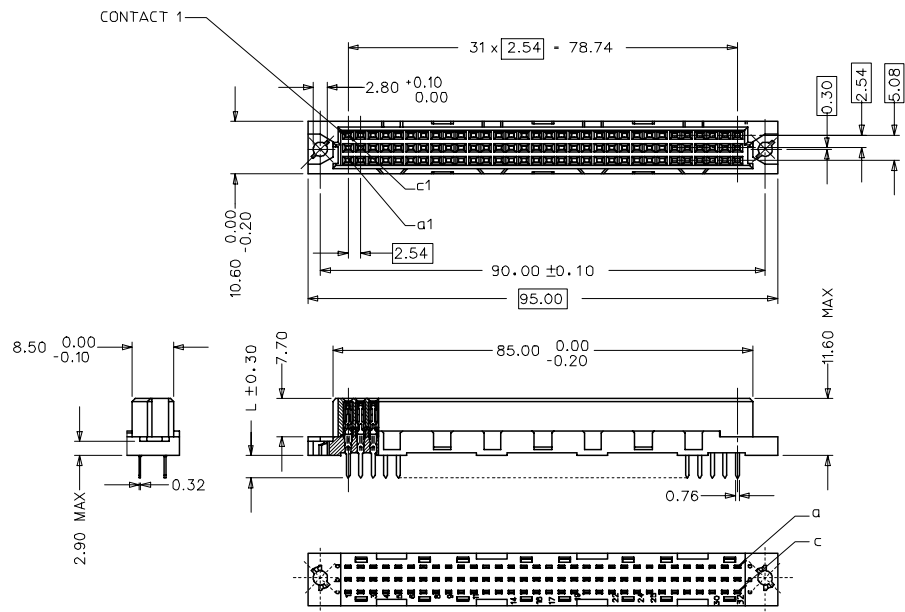
Material Info

Reference - Drawing Numbers

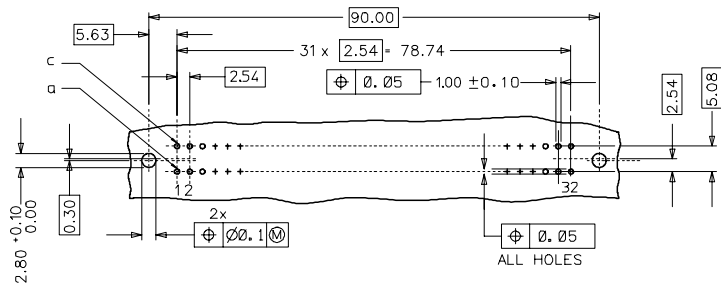
Packaging Specification	PK-36500-001
Product Specification	PS-36500-001
Sales Drawing	SD-36500-003

This document was generated on 05/13/2010

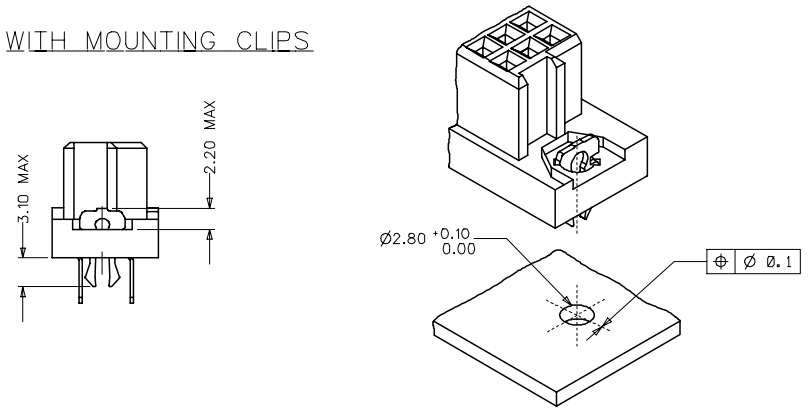
PLEASE CHECK WWW.MOLEX.COM FOR LATEST PART INFORMATION



RECOMMENDED PCB LAYOUT
COMPONENT SIDE



WITH MOUNTING CLIPS



NOTES:

- MATERIALS: THERMOPLASTIC POLYESTER, GLASS FILLED, UL94V-0. COLOUR: PEBBLE GREY RAL 7032
TERMINAL - PHOSPHOR BRONZE
MOUNTING CLIP: STEEL
- FINISH: TERMINAL:-
CONTACT AREA
1. PERFORMANCE LEVEL 1: SELECTIVE GOLD (Au), THICKNESS - 1.1 MICROMETER
OVER NICKEL, THICKNESS - 1.5 MICROMETER
2. PERFORMANCE LEVEL 2: SELECTIVE GOLD (Au), THICKNESS - 0.6 MICROMETER
OVER NICKEL, THICKNESS - 1.5 MICROMETER
3. PERFORMANCE LEVEL 3: SELECTIVE GOLD (Au), THICKNESS - 0.3 MICROMETER
OVER NICKEL, THICKNESS - 1.5 MICROMETER
TERMINATION AREA:
SELECTIVE TIN, THICKNESS - 5 MICROMETER
OVER NICKEL, THICKNESS - 1.5 MICROMETER OVERALL
- MOUNTING CLIP:-
TIN (Sn), THICKNESS - 5-10 MICROMETER,
OVER NICKEL (Ni), THICKNESS - 2.5 MICROMETER
- FOR NON MOUNTING CLIP OPTION, CONNECTOR TO BE SECURED WITH
RIVETS: 2 TUBULAR RIVETS 2.5 x 0.3 ... DIN 7340
SCREWS: 2 CHEESEHEAD SCREWS M2.5 x ... DIN 84 AND 2 HEXAGONAL NUTS M2.5 DIN 934
- MATERIAL No, BATCH CODE, UL AND CSA MARKING TO BE PRINTED ON THE CONNECTOR.
- CUT FACES OF TIP WITHOUT PLATING PERMITTED.
- PRODUCT SPECIFICATION PS:36500-001

RoHS COMPLIANT

ENTER DESCRIPTION E.C.N.C.12007.0044 DRAWING ATTACHED 2006/10/10 CHECKED BY SUDHIR 2006/10/11 APPROVED BY SUDHIR 2006/10/16	QUALITY SYMBOLS ▽=0 ▽=0	GENERAL TOLERANCES (UNLESS SPECIFIED)		DIMENSION STYLE MM ONLY		SCALE 2:1	DESIGN UNITS METRIC	THIRD ANGLE PROJECTION			
		4 PLACES ±	mm	INCH	DRAWN BY SHANKAR	DATE 2006/03/29	TITLE ASSEMBLY DIN 41612 64POS C FEMALE A+C LOADED 1.0MM PCB DIA	MATERIAL NO. SD-36500-003	DOCUMENT NO. SD-36500-003	SHEET NO. 1 OF 2	
3 PLACES ±0.05	±	±	CHECKED BY SSUDHIR	DATE 2006/03/29	APPROVED BY SSUDHIR		DATE 2006/03/29				MATERIAL NO. SD-36500-003
2 PLACES ±0.1	±	±	APPROVED BY SSUDHIR		DATE 2006/03/29	MATERIAL NO. SD-36500-003		DOCUMENT NO. SD-36500-003	SHEET NO. 1 OF 2	THIS DRAWING CONTAINS INFORMATION THAT IS PROPRIETARY TO MOLEX INCORPORATED AND SHOULD NOT BE USED WITHOUT WRITTEN PERMISSION	
1 PLACE ±0.15	±	±	ANGULAR ± 2°		DRAFT WHERE APPLICABLE MUST REMAIN WITHIN DIMENSIONS		SEE SHEET 2				

	20	19	18	17	16	15	14	13	12	11	10	9	8	7	6	5	4	3	2	1	
	MATERIAL No	MOLEX ENG No	PERF LEVEL	PLATING	CONTACT SEQUENCE/ROW	DIM "L" mm	MOUNTING CLIP	FLUX PROOF													
	36500-0097	MM-B2401-C963	1	Au+Ni	1.2.3....32 a+c	2.9	NO	NO													
	36500-0098	MM-B2501-C963	2	Au+Ni	1.2.3....32 a+c	2.9	NO	NO													
	36500-0099	MM-B2601-C963	3	Au+Ni	1.2.3....32 a+c	2.9	NO	NO													
L	36500-0103	MM-B2401-C913	1	Au+Ni	1.2.3....32 a+c	2.9	YES	NO													
	36500-0104	MM-B2501-C913	2	Au+Ni	1.2.3....32 a+c	2.9	YES	NO													
	36500-0105	MM-B2601-C913	3	Au+Ni	1.2.3....32 a+c	2.9	YES	NO													
	36500-0109	MM-B2401-C963-133	1	Au+Ni	1.2.3....32 a+c	2.9	NO	YES													
	36500-0110	MM-B2501-C963-133	2	Au+Ni	1.2.3....32 a+c	2.9	NO	YES													
K	36500-0111	MM-B2601-C963-133	3	Au+Ni	1.2.3....32 a+c	2.9	NO	YES													
	36500-0115	MM-B2401-C913-133	1	Au+Ni	1.2.3....32 a+c	2.9	YES	YES													
	36500-0116	MM-B2501-C913-133	2	Au+Ni	1.2.3....32 a+c	2.9	YES	YES													
	36500-0117	MM-B2601-C913-133	3	Au+Ni	1.2.3....32 a+c	2.9	YES	YES													
J	36500-0121	MM-B2402-C963	1	Au+Ni	1.2.3....32 a+c	4.5	NO	NO													
	36500-0122	MM-B2502-C963	2	Au+Ni	1.2.3....32 a+c	4.5	NO	NO													
	36500-0123	MM-B2602-C963	3	Au+Ni	1.2.3....32 a+c	4.5	NO	NO													
	36500-0127	MM-B2402-C913	1	Au+Ni	1.2.3....32 a+c	4.5	YES	NO													
	36500-0128	MM-B2502-C913	2	Au+Ni	1.2.3....32 a+c	4.5	YES	NO													
I	36500-0129	MM-B2602-C913	3	Au+Ni	1.2.3....32 a+c	4.5	YES	NO													
	36500-0133	MM-B2402-C963-133	1	Au+Ni	1.2.3....32 a+c	4.5	NO	YES													
	36500-0134	MM-B2502-C963-133	2	Au+Ni	1.2.3....32 a+c	4.5	NO	YES													
	36500-0135	MM-B2602-C963-133	3	Au+Ni	1.2.3....32 a+c	4.5	NO	YES													
H	36500-0139	MM-B2402-C913-133	1	Au+Ni	1.2.3....32 a+c	4.5	YES	YES													
	36500-0140	MM-B2502-C913-133	2	Au+Ni	1.2.3....32 a+c	4.5	YES	YES													
	36500-0141	MM-B2602-C913-133	3	Au+Ni	1.2.3....32 a+c	4.5	YES	YES													

RoHS COMPLIANT

ENTER DESCRIPTION ELC.NCL.12007.0044. 2006/10/10 DRWNGSATTI/MARAD 2006/10/10 CHKD/SSUDHIR 2006/10/11 APPR/SSUDHIR 2006/10/16	QUALITY SYMBOLS 	GENERAL TOLERANCES (UNLESS SPECIFIED)		DIMENSION STYLE MM ONLY	SCALE ---	DESIGN UNITS METRIC	THIRD ANGLE PROJECTION	
		4 PLACES ±---± 3 PLACES ±---± 2 PLACES ±---± 1 PLACE ±---±	mm INCH ±---± ±---± ±---± ±---± ±---± ±---±	DRAWN BY SHANKAR	DATE 2006/03/29	TITLE ASSEMBLY DIN 41612 64POS C FEMALE A+C LOADED 1.0MM PCB DIA	MOLEX INCORPORATED	
REVISIONS C1	DESCRIPTION DRAFT WHERE APPLICABLE MUST REMAIN WITHIN DIMENSIONS	ANGULAR ±---°		DRAWN BY SHANKAR	DATE 2006/03/29	DOCUMENT NO. SD-36500-003		
		SIZE A 1		THIS DRAWING CONTAINS INFORMATION THAT IS PROPRIETARY TO MOLEX INCORPORATED AND SHOULD NOT BE USED WITHOUT WRITTEN PERMISSION			SHEET NO. 2 OF 2	