

PLEASE CHECK WWW.MOLEX.COM FOR LATEST PART INFORMATION

Part Number: **0876582005**
Status: **Active**
Overview: extreme_powerplus_ssi
Description: 6.35mm (.250") Pitch, EXTreme PowerPlus™ Header, All Power, Through Hole, Right Angle, 5 Circuits, with Beveled Metal Pin, Lead-free

Documents:

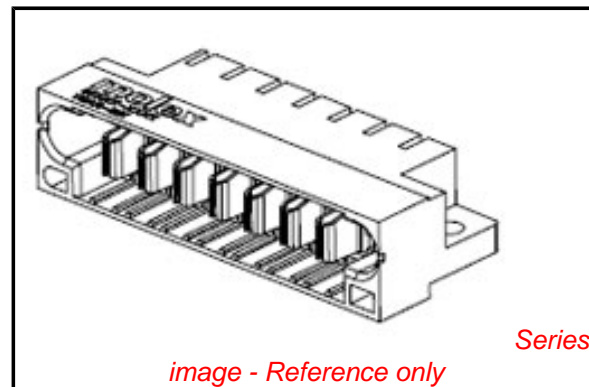
[3D Model](#) [Product Specification PS-87631-006 \(PDF\)](#)
[Drawing \(PDF\)](#) [RoHS Certificate of Compliance \(PDF\)](#)

General

| | |
|-----------------------------|------------------------------|
| Product Family | PCB Headers |
| Series | 87658 |
| Application | Board-to-Board |
| Overview | <u>extreme_powerplus_ssi</u> |
| Product Literature Order No | 987650-3002 |
| Product Name | EXTreme PowerPlus™ |

Physical

| | |
|--------------------------------|--------------------------------|
| Breakaway | No |
| Circuits (Loaded) | 5 |
| Circuits (maximum) | 5 |
| Circuits Detail | Power 5 |
| Color - Resin | Black |
| Durability (mating cycles max) | 100 |
| First Mate / Last Break | No |
| Glow-Wire Compliant | No |
| Guide to Mating Part | No |
| Keying to Mating Part | None |
| Lock to Mating Part | Yes |
| Material - Metal | Copper Alloy |
| Material - Plating Mating | Gold |
| Material - Plating Termination | Tin |
| Material - Resin | High Temperature Thermoplastic |
| Number of Rows | 1 |
| Orientation | Right Angle |
| PC Tail Length (in) | 0.135 In |
| PC Tail Length (mm) | 3.43 mm |
| PCB Locator | Yes |
| PCB Retention | Yes |
| PCB Thickness Recommended (in) | 0.062 In |
| PCB Thickness Recommended (mm) | 1.57 mm |
| Packaging Type | Tray |
| Pitch - Mating Interface (in) | 0.250 In |
| Pitch - Mating Interface (mm) | 6.35 mm |
| Pitch - Term. Interface (in) | 0.100 In, 0.150 In |
| Pitch - Term. Interface (mm) | 2.54 mm, 3.81 mm |
| Plating min: Mating (µin) | 30 |
| Plating min: Mating (µm) | 0.76 |
| Plating min: Termination (µin) | 101.6 |
| Plating min: Termination (µm) | 2.54 |
| Polarized to Mating Part | Yes |
| Polarized to PCB | Yes |
| Shrouded | Closed Ends |
| Stackable | No |
| Surface Mount Compatible (SMC) | Yes |



EU RoHS

ELV and RoHS Compliant
REACH SVHC
 Not Reviewed
Halogen-Free Status

China RoHS



Need more information on product environmental compliance?

Email productcompliance@molex.com
 For a multiple part number RoHS Certificate of Compliance, [click here](#)

Please visit the [Contact Us](#) section for any non-product compliance questions.

Search Parts in this Series

87658Series

Mates With

87691 EXTreme PowerPlus™ all Power Receptacle

Temperature Range - Operating -20°C to +105°C
Termination Interface: Style Through Hole

Electrical

Current - Maximum per Contact 50A
Voltage - Maximum 250V DC

Solder Process Data

Duration at Max. Process Temperature (seconds) 10
Lead-free Process Capability SMC & Wave Capable (TH only)
Max. Cycles at Max. Process Temperature 3
Process Temperature max. C 260

Material Info

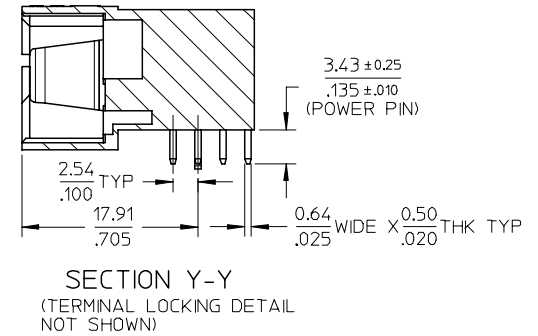
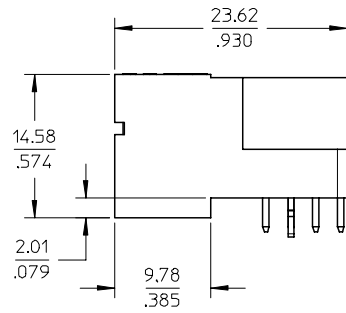
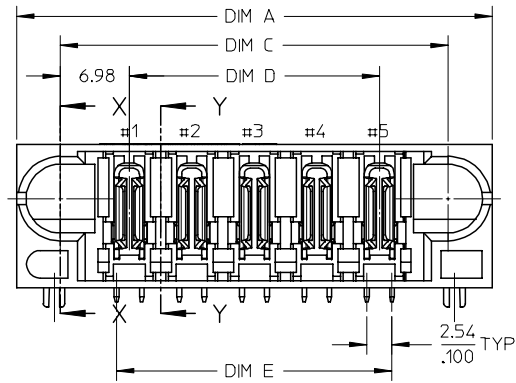
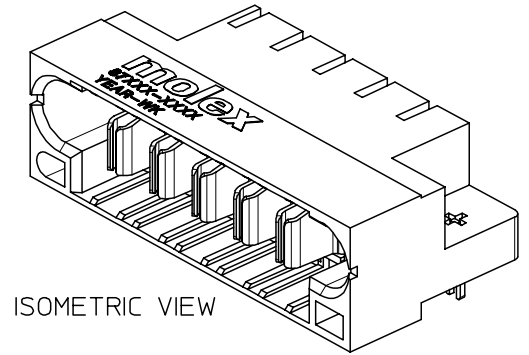
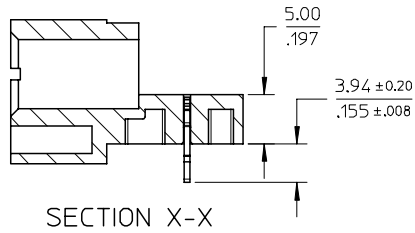
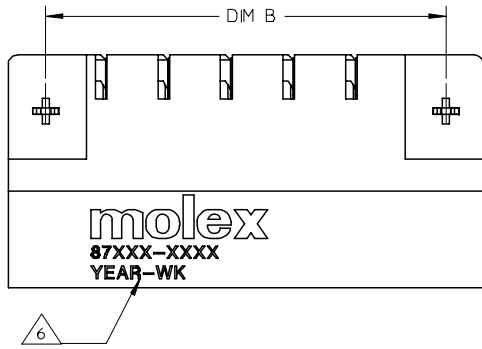
Reference - Drawing Numbers

Application Specification AS-87631-018
Product Specification PS-87631-006
Sales Drawing SD-87658-013

This document was generated on 05/25/2010

PLEASE CHECK WWW.MOLEX.COM FOR LATEST PART INFORMATION

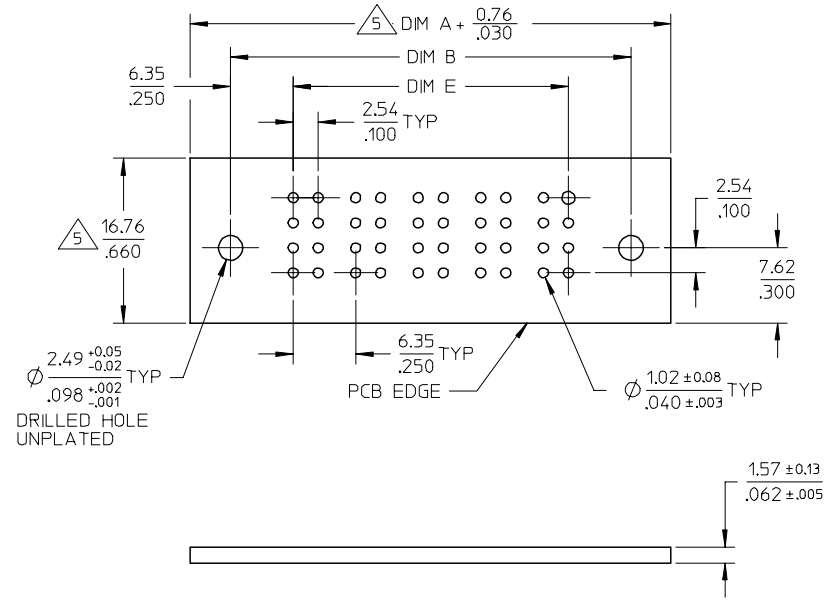
10 9 8 7 6 5 4 3 2 1



| | | | | | | | | | |
|--|--|--------------------|--|---|--|---------------------|--------------|--|--|
| PDR#S-001437-00-00 EC NO: S2007-0474 DRWN:KELIM CHKD:M LONG APPR:SKTOH | 2006/12/08 2006/12/11 2006/12/11 | DESCRIPTION REV | QUALITY SYMBOLS | GENERAL TOLERANCES (UNLESS SPECIFIED) | DIMENSION STYLE | SCALE | DESIGN UNITS | THIRD ANGLE PROJECTION | |
| | | | $\nabla=0$ $\nabla C=0$ | mm INCH 4 PLACES ± --- ± --- 3 PLACES ± --- ± .010 2 PLACES ± 0.25 ± --- 1 PLACE ± --- ± --- ANGULAR ± 3 ° | MM/IN | NTS | METRIC | DRAWN BY DATE BHLW 2002/11/14 CHECKED BY DATE PTL IM 2002/11/26 APPROVED BY DATE SKTOH 2002/11/27 | TITLE HEADER ALL POWER CONFIGURATION BOARD-LOCK, R/A, T/H |
| | | | DRAFT WHERE APPLICABLE MUST REMAIN WITHIN DIMENSIONS | SEE TABLE | MATERIAL NO. DOCUMENT NO. SD-87658-013 | SHEET NO. 1 OF 2 | | | |
| | | | SIZE A3 | THIS DRAWING CONTAINS INFORMATION THAT IS PROPRIETARY TO MOLEX INCORPORATED AND SHOULD NOT BE USED WITHOUT WRITTEN PERMISSION | | | | | |

9 8 7 6 5 4 3 2 1

| | 10 | 9 | 8 | 7 | 6 | 5 | 4 | 3 | 2 | 1 |
|---|-------------|-------------|-----------|-------------------------------------|----------------|----------------|----------------|----------------|----------------|---|
| | PART NUMBER | PART STATUS | PACKAGING | POWER CONFIGURATION NO. OF POWER | DIM A | DIM B | DIM C | DIM D | DIM E | |
| F | 87658-2005 | TOOLED | TRAY | 5 | 48.26 1.900 | 40.64 1.600 | 39.37 1.550 | 25.40 1.000 | 27.94 1.100 | |
| | 87658-2006 | TOOLED | TRAY | 2 | 29.21 1.150 | 21.59 .850 | 20.32 .800 | 6.35 .250 | 8.89 .350 | |



- NOTES:
- MATERIALS: LCP, GLASS FILLED, UL94V-0, COLOUR: BLACK
POWER PINS - COPPER ALLOY
 - FINISHES: POWER PINS:
SELECTIVE GOLD IN CONTACT AREA.
THICKNESS= 0.76 MICROMETER/ 30 MICROINCH MINIMUM
SELECTIVE TIN ALLOY IN THE PC TAIL AREA
THICKNESS= 2.54 MICROMETER/.100 MICROINCH
MINIMUM 1.27um MINIMUM NICKEL OVERALL UNDERPLATE
 - PRODUCT SPECIFICATION: PS-87631-006.
 - SEE SHEET 2 FOR RECOMMENDED PCB LAYOUT AND THICKNESS.
 - COMPONENT STAY AWAY ZONE FROM CONNECTOR.
 - MANUFACTURER LOGO, PART NUMBER AND YEAR-WEEK CODE.
 - 5 POWER CONFIGURATION IS SHOWN FOR ILLUSTRATION ONLY.
POWER CONFIGURATION IS AVAILABLE UP TO 203MM/INCH.
PLEASE CONTACT MOLEX SALES PERSONNEL FOR OTHER
CONFIGURATION AND OPTION NEEDED.

| | | | |
|--------------------|------------|-------------|------------|
| PDR#S-001437-00-00 | 2006/12/08 | 2006/12/11 | 2006/12/11 |
| EC NO: S2007-0474 | DRWN:KELIM | CHKD:MLONG | APPR:SKTOH |
| D1 | REV | DESCRIPTION | |

| | | |
|-----------------|-----|-----|
| QUALITY SYMBOLS | ▽=0 | ▽=0 |
|-----------------|-----|-----|

| | | |
|--|--------|--------|
| GENERAL TOLERANCES (UNLESS SPECIFIED) | mm | INCH |
| 4 PLACES | ± --- | ± --- |
| 3 PLACES | ± --- | ± .010 |
| 2 PLACES | ± 0.25 | ± --- |
| 1 PLACE | ± --- | ± --- |
| ANGULAR ± 3 ° | | |
| DRAFT WHERE APPLICABLE MUST REMAIN WITHIN DIMENSIONS | | |

| | | |
|-----------------|--------------|---|
| DIMENSION STYLE | | MM/IN |
| DRAWN BY | DATE | TITLE |
| BHLOW | 2002/11/14 | HEADER ALL POWER CONFIGURATION BOARD-LOCK, R/A, T/H |
| CHECKED BY | DATE | |
| PTL IM | 2002/11/26 | MOLEX INCORPORATED |
| APPROVED BY | DATE | |
| SKTOH | 2002/11/27 | |
| MATERIAL NO. | DOCUMENT NO. | SHEET NO. |
| SEE TABLE | SD-87658-013 | 2 OF 2 |

| | | |
|---|--------------|------------------------|
| SCALE | DESIGN UNITS | THIRD ANGLE PROJECTION |
| NTS | METRIC | |
| THIS DRAWING CONTAINS INFORMATION THAT IS PROPRIETARY TO MOLEX INCORPORATED AND SHOULD NOT BE USED WITHOUT WRITTEN PERMISSION | | |