

**PLEASE CHECK WWW.MOLEX.COM FOR LATEST PART INFORMATION**

**Part Number:** [0482006030](#)

**Status:** **Active**

**Overview:**

**Description:** 1.27mm (.050") Pitch Compact PCI Slot, Board-to-Board Edge Card Connector, Vertical, Double-Sided, Dual Read-Out, White, with Plastic Peg, Two End Cuts, Gold (Au) Flash, 120 Circuits, Lead Free

**General**

Product Family	Edge Card Connectors
Series	48200
Comments	With Two End Cuts
Component Type	Edgecard to PCB
Overview	edge_card_connectors
Product Name	Edge Card

**Physical**

Circuits (Loaded)	120
Circuits (maximum)	120
Circuits Detail	All Signal
Durability (mating cycles max)	50
Entry Angle	Vertical (Top Entry)
Keying to Mating Part	Yes
Material - Plating Mating	Gold
Material - Plating Termination	Tin
PC Tail Length (in)	0.118 In
PC Tail Length (mm)	3.00 mm
PCB Locator	Yes
PCB Retention	Yes
PCB Thickness Recommended (in)	0.062 In
PCB Thickness Recommended (mm)	1.60 mm
Packaging Type	Tray
Pitch - Mating Interface (in)	0.050 In
Pitch - Mating Interface (mm)	1.27 mm
Polarized to Mating Part	Yes
Temperature Range - Operating	-10°C to +85°C
Termination Interface: Style	Through Hole

**Electrical**

Current - Maximum per Contact	1A
Voltage - Maximum	30V

**Material Info**

**Reference - Drawing Numbers**

Packaging Specification	PK-48200-003
Product Specification	PS-48200-001
Test Summary	TS-48200-001

**EU RoHS**

**ELV and RoHS Compliant**

**REACH SVHC**

Not Reviewed

**Halogen-Free**

**Status**

**Not Reviewed**

**China RoHS**



**Need more information on product environmental compliance?**

Email [productcompliance@molex.com](mailto:productcompliance@molex.com)  
For a multiple part number RoHS Certificate of Compliance, [click here](#)

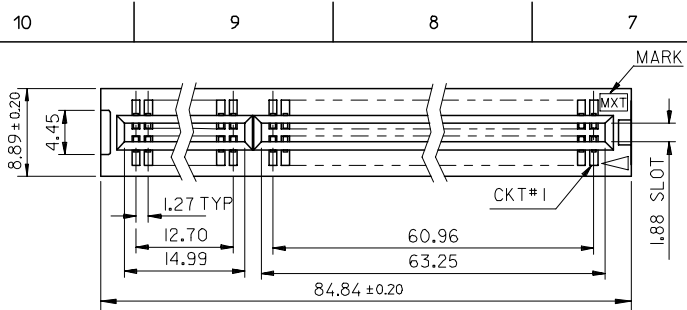
Please visit the [Contact Us](#) section for any non-product compliance questions.

**Search Parts in this Series**

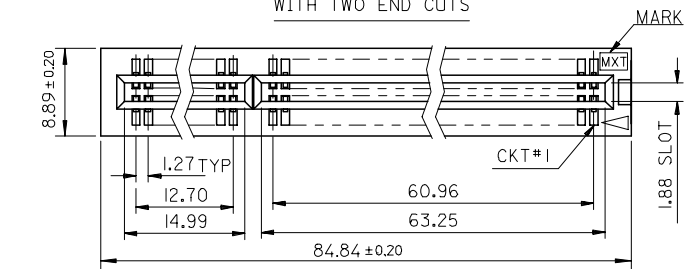
48200Series

**Mates With**

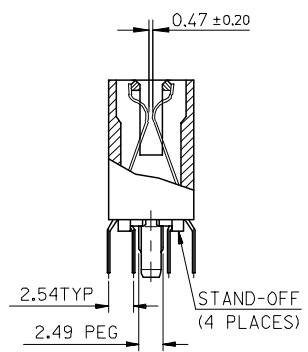
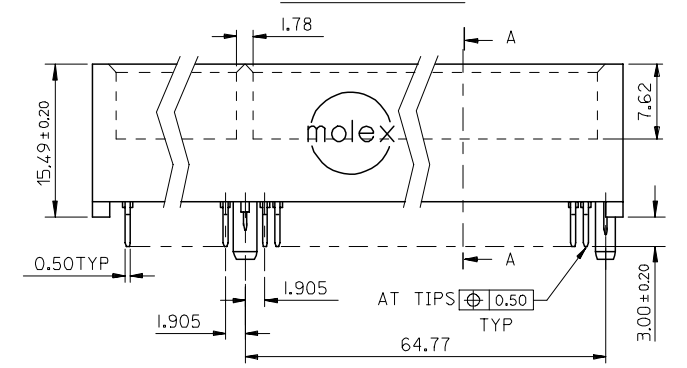
32-bit PCI card



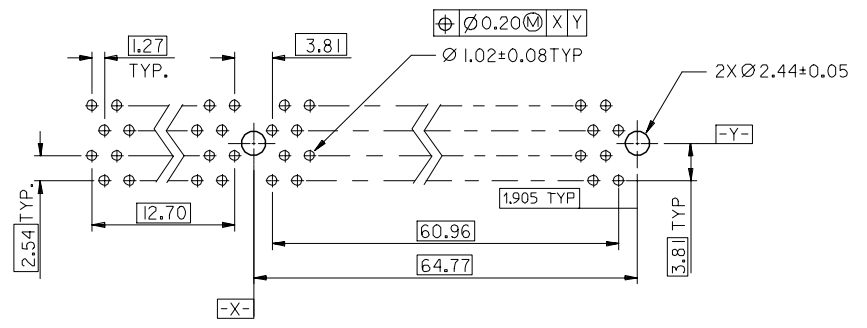
WITH TWO END CUTS



WITH ONE END CUT



SECTION A-A

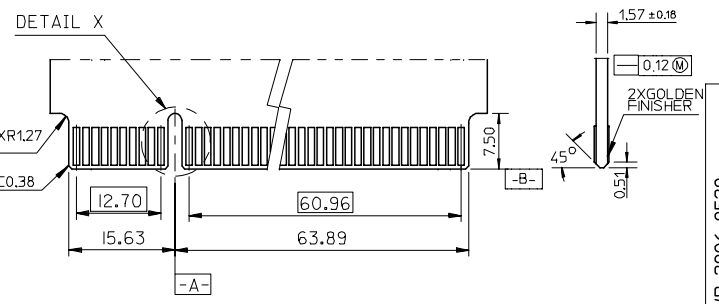


RECOMMENDED CONNECTOR MOUNTING HOLE PATTERN

- NOTES:
- MATERIAL :  
HOUSING - PPS  
TERMINAL - PHOSPHOR BRONZE.
  - FINISH 0 - GOLD FLASH IN CONTACT AREA, 1.52um/60uin MIN. TIN IN SOLDER TAIL, BOTH OVER 0.76um/30uin MIN. NICKEL OVERALL.
    - 0.25um/10uin MIN. GOLD IN CONTACT AREA, 1.52um/60uin MIN. TIN IN SOLDER TAIL, BOTH OVER 0.76um/30uin MIN. NICKEL OVERALL.
    - 0.38um/15uin MIN. GOLD IN CONTACT AREA, 1.52um/60uin MIN. TIN IN SOLDER TAIL, BOTH OVER 0.76um/30uin MIN. NICKEL OVERALL.
    - 0.76um/30uin MIN. GOLD IN CONTACT AREA, 1.52um/60uin MIN. TIN IN SOLDER TAIL, BOTH OVER 0.76um/30uin MIN. NICKEL OVERALL.
    - 0.50um/20uin MIN. GOLD IN CONTACT AREA, 1.52um/60uin MIN. TIN IN SOLDER TAIL, BOTH OVER 0.76um/30uin MIN. NICKEL OVERALL.
  - PRODUCT SPEC : PER PS-48200-001
  - TEST SUMMARY : PER TS-48200-001
  - PACKAGE SPEC : PER PK-48200-001
  - LEAD-FREE AND ROHS COMPLIANCE PRODUCT

PART NO. LEGEND : 48200 - 6 0 \*\*

PEG VERSION & COLOR	PLATING VERSION
0 : STANDARD ; BROWN ,WITH ONE END CUT	0
1 : STANDARD ; WHITE ,WITH ONE END CUT	1
2 : STANDARD ; BROWN ,WITH TWO END CUTS	2
3 : STANDARD ; WHITE ,WITH TWO END CUTS	4



RECOMMENDED MATING P.C.BOARD EDGE CONFIGURATION

EWR 2006-0520 EC NO: SH2006-0520 DRWN:ALLIN 2006/06/26 CHKD: 2006/06/27 APPR:WWSCHANG 2006/06/30	DESCRIPTION	2XGOLDEN GENERAL TOLERANCES (UNLESS SPECIFIED)	DIMENSION STYLE	SCALE	DESIGN UNITS	THIRD ANGLE PROJECTION	
	REV	mm	MM ONLY	METRIC			
		INCH					
		ANGULAR ± 3 °					
		4 PLACES ± --- ± --- 3 PLACES ± --- ± --- 2 PLACES ± 0.25 ± --- 1 PLACE ± 0.25 ± --- DRAFT WHERE APPLICABLE MUST REMAIN WITHIN DIMENSIONS	DRAWN BY DATE TOM 2005/02/04 CHECKED BY DATE ALL IN 2005/02/04 APPROVED BY DATE WWSCHANG 2005/02/04	TITLE ASS'Y 1.27MM EDGE CARD CONNECTOR (120 CKTS) (LEAD-FREE VERSION)		MOLEX INCORPORATED DOCUMENT NO. SD-48200-003 SHEET NO. 1 OF 1	
THIS DRAWING CONTAINS INFORMATION THAT IS PROPRIETARY TO MOLEX INCORPORATED AND SHOULD NOT BE USED WITHOUT WRITTEN PERMISSION							