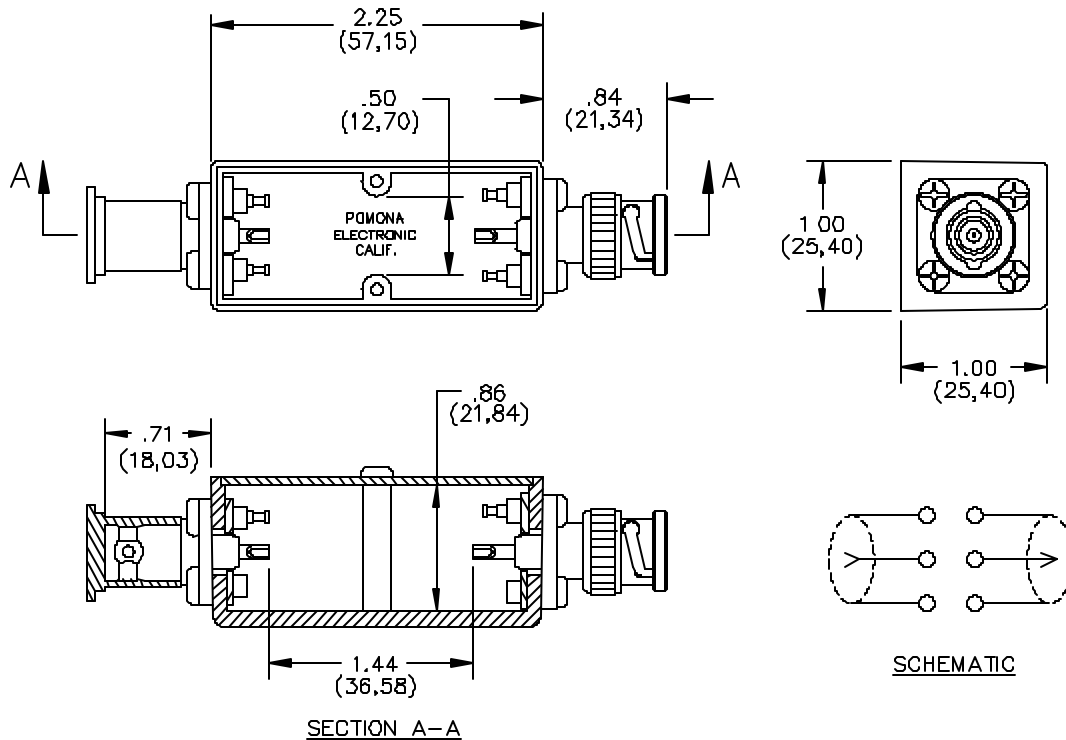


## Model 2099 Phenolic Box, Component Mounting BNC Female To BNC Male



### MATERIALS:

#### Connectors:

- Center Contacts: Gold Plated
- Solder Turret Terminals, - 4 ea. #4-40: Steel
- Screws, 2 ea. #2-56 Pan Head self-taping: Steel
- Molded Housing: Electrical grade Phenolic
- Nut Strap: Brass

Finish: Tarnish resistant

#### Connectors:

- Body and Fittings: Tarnish resistant
- Center Contact: Gold plated
- Molded Housing: Color: Black
- Cover: Black
- Screws, #2-56 x (3/16") Pan Head self-taping – Clear irridite

### RATINGS:

Operating Temperature: +150° C. (+302° F.) Max.

### ORDERING INFORMATION: Model 2099

All dimensions are in inches and metric. All specifications are to the latest revisions. Specifications are subject to change without notice.  
Registered trademarks are the property of their respective companies. Made in USA

Sales: 800-490-2361 Fax: 888-403-3360  
Technical Assistance: 800-241-2060

PomonaACCESS 90127 (800) 444-6785 or (425) 446-6010  
More drawings available at [www.pomonaelectronics.com](http://www.pomonaelectronics.com)