

PLEASE CHECK WWW.MOLEX.COM FOR LATEST PART INFORMATION

Part Number: [0313872002](#)
Status: **Active**
Overview: [mx123 sealed connection systems](#)
Description: 2.54mm (.100") Pitch, MX123™ Female Header, 73 Circuits Shrouded Assembly, 0.64mm (.025") Square Pins, Harness Side Key Code B, Gray

Documents:

[Drawing \(PDF\)](#) [RoHS Certificate of Compliance \(PDF\)](#)
[Product Specification PS-34566-0000 \(PDF\)](#)

General

Product Family	PCB Headers
Series	31387
Application	Wire-to-Board
Overview	mx123 sealed connection systems
Product Name	MX123

Physical

Breakaway	No
Circuits (Loaded)	73
Circuits (maximum)	73
Color - Resin	Gray
First Mate / Last Break	No
Glow-Wire Compliant	No
Guide to Mating Part	No
Keying to Mating Part	None
Lock to Mating Part	Yes
Material - Metal	Copper Alloy
Material - Plating Mating	Tin
Material - Plating Termination	Nickel
Material - Resin	Nylon Alloy
Number of Rows	4
Orientation	Vertical
PC Tail Length (in)	0.255 In
PC Tail Length (mm)	6.50 mm
PCB Locator	No
PCB Retention	None
Packaging Type	Carton
Pitch - Mating Interface (in)	0.100 In
Pitch - Mating Interface (mm)	2.50 mm
Pitch - Term. Interface (in)	0.100 In
Pitch - Term. Interface (mm)	2.50 mm
Polarized to Mating Part	Yes
Polarized to PCB	No
Shrouded	Yes
Stackable	No
Surface Mount Compatible (SMC)	No
Termination Interface: Style	Through Hole

Electrical

Current - Maximum per Contact	11A
Voltage - Maximum	500V

Material Info

Reference - Drawing Numbers

Packaging Specification	PK-31300-840
-------------------------	--------------

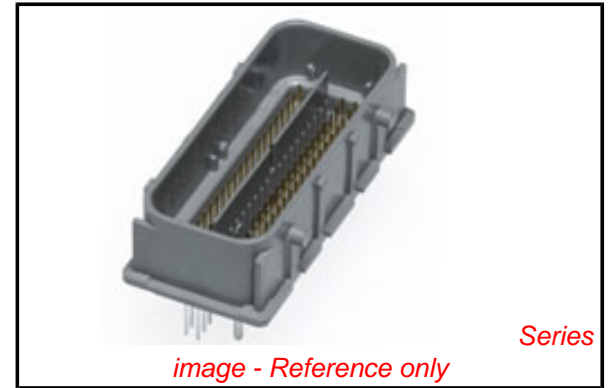


image - Reference only

EU RoHS

**ELV and RoHS
Compliant**

REACH SVHC

Contains SVHC: No

Halogen-Free

Status

Not Reviewed

China RoHS



**Need more information on product
environmental compliance?**

Email productcompliance@molex.com
 For a multiple part number RoHS Certificate of Compliance, [click here](#)

Please visit the [Contact Us](#) section for any non-product compliance questions.

Search Parts in this Series

[31387Series](#)

Mates With

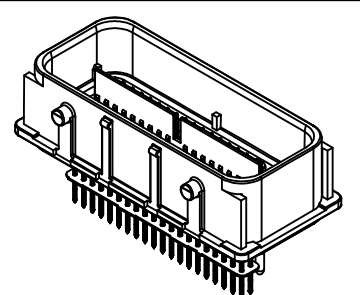
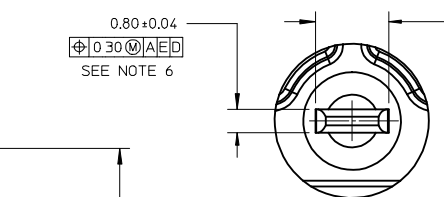
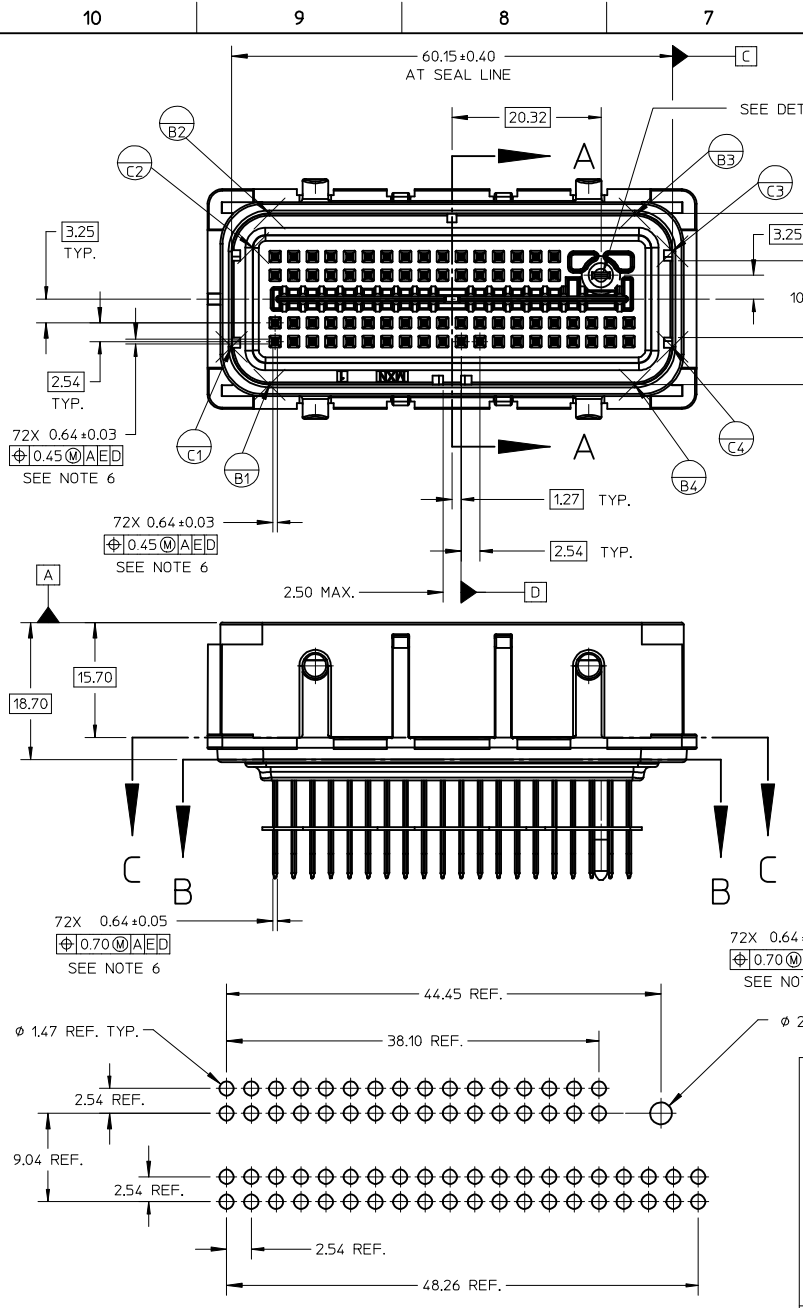
MX123™ Female Receptacle Housing
[34566](#) , [34576](#)

Use With

[33467](#) MX64 Female Terminals

This document was generated on 05/24/2010

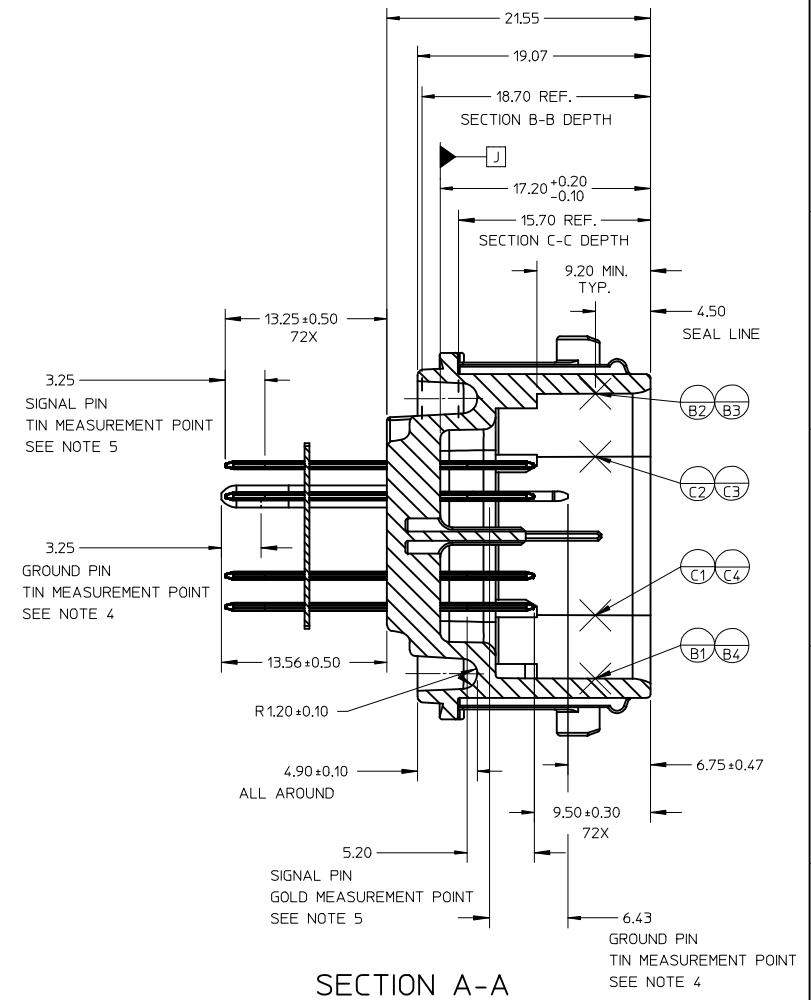
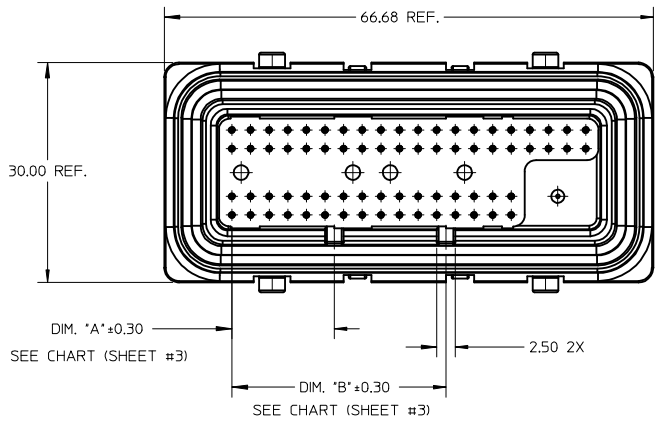
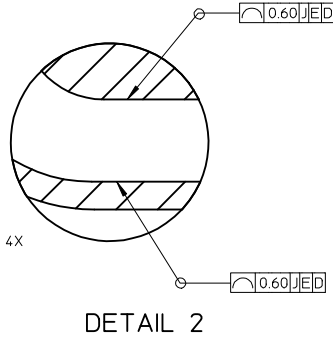
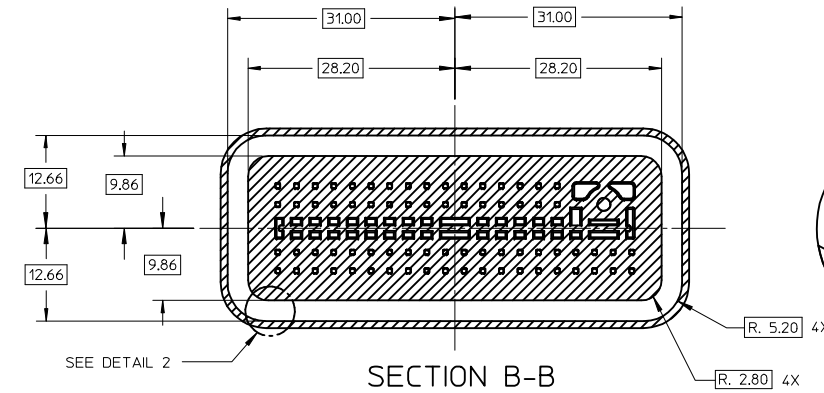
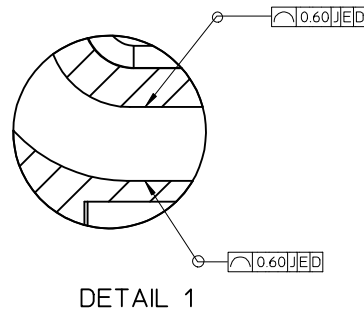
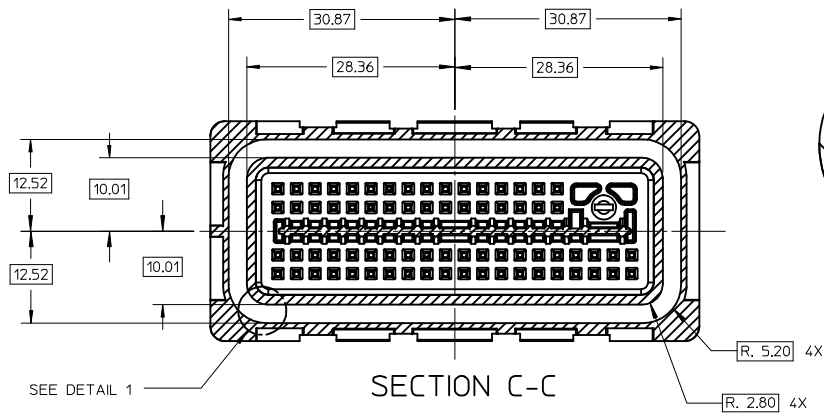
PLEASE CHECK WWW.MOLEX.COM FOR LATEST PART INFORMATION



- NOTES:
- DIMENSIONS AND TOLERANCES ARE VALID FOR THE AS SHIPPED SHROUD ASSEMBLY
 - SEE ASME Y14.5-1994 FOR GD&T INTERPRETATION
 - RESIN MATERIAL: 30%GF PBT. SEE CHART FOR COLOR AND KEYING OPTIONS
 - MEASUREMENT POINT FOR GROUND PIN PLATING:
UNDERPLATE: NICKEL 1.27-2.54 μ m
SOLDER TAIL SIDE: SELECT TIN 2.54-10.16 μ m, MATTE FINISH
PIN SOLDERABILITY PER SMES-152
BLADE SIDE: SELECT TIN 2.54-4.06 μ m, MATTE FINISH
 - MEASUREMENT POINT FOR SIGNAL PIN PLATING:
UNDERPLATE: NICKEL 1.27-2.54 μ m
SELECT GOLD: 0.76 μ m MIN.
SELECT TIN: 5.08-10.16 μ m BRIGHT FINISH
PIN SOLDERABILITY PER SMES-152
 - ALL PIN TRUE POSITION FUNCTIONALLY CHECKED BY ON-LINE GAUGING
 - FOR ALL HARNESS INTERFACE DIMENSIONS AND TOLERANCE REFERENCE MOLEX DRAWINGS: SD-34565-001 (MX123 73/80 WIRE DRESS COVER)
SD-34566-001 (MX123 73/80 CKT. HARNESS CONNECTOR)
SD-33468-001 (MX64 RECEPTACLE TERMINAL)
 - NOTE: ASSEMBLY SHALL NOT EXCEED 125° C DURING POST PROCESSING OR DURING THE ATTACHMENT PROCESS
 - ADHESIVE FOR ATTACHMENT: AS A GENERAL GUIDELINE MOLEX USES SILICONE BASED ADHESIVES AS AN ATTACHMENT METHOD TO CREATE A PERMANENT ADHESIVE BOND BETWEEN THE SHROUD AND AN ALUMINUM DIE-CASTING
 - PACKAGING PER MOLEX PK-31300-840
 - REFER TO THE MX123 USER MANUAL @ <http://www.molex.com/ind/mx123.html>

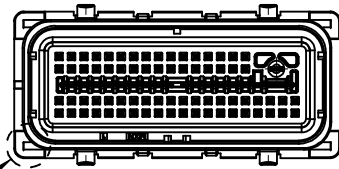
ENTER DESCRIPTION EC NO: UAU2009-1301 DRAWN/FENCL 2009/07/22 CHKD/F: JAKLIC 2009/07/22 APPR: GPRATT 2009/07/24 A	QUALITY SYMBOLS ▽=0 ▽=0	GENERAL TOLERANCES (UNLESS SPECIFIED)		DIMENSION STYLE MM ONLY	SCALE 2:1	DESIGN UNITS METRIC	THIRD ANGLE PROJECTION		
		4 PLACES ± --- ± --- 3 PLACES ± --- ± --- 2 PLACES ± 0.13 ± --- 1 PLACE ± 0.25 ± ---	mm INCH	DRAWN BY FJAKLIC	DATE 04/30/08	TITLE 73 CKT SHROUD ASSEMBLY 0.64 SQ. PINS MX123			
		ANGULAR ± 1°		CHECKED BY FJAKLIC	DATE 04/30/08	MOLEX MOLEX INCORPORATED			
		DRAFT WHERE APPLICABLE MUST REMAIN WITHIN DIMENSIONS		APPROVED BY GPRATT	DATE 05/05/08	MATERIAL NO. SEE CHART	DOCUMENT NO. SD-31387-073	SHEET NO. 1 OF 3	

THIS DRAWING CONTAINS INFORMATION THAT IS PROPRIETARY TO MOLEX INCORPORATED AND SHOULD NOT BE USED WITHOUT WRITTEN PERMISSION



ENTER DESCRIPTION EC NO: UAU2009-1301 DRW:DFENCL 2009/07/22 CHKD:FJAKLIC 2009/07/22 APPR:GPRATT 2009/07/24 A	QUALITY SYMBOLS ▽=0 ▽=0	GENERAL TOLERANCES (UNLESS SPECIFIED)		DIMENSION STYLE MM ONLY		SCALE 2:1	DESIGN UNITS METRIC	THIRD ANGLE PROJECTION			
		4 PLACES ± --- ± ---	3 PLACES ± --- ± ---	2 PLACES ± 0.13 ± ---	1 PLACE ± 0.25 ± ---	mm	INCH	DRAWN BY FJAKLIC	DATE 04/30/08	TITLE 73 CKT SHROUD ASSEMBLY 0.64 SQ. PINS MX123	
		ANGULAR ± 1°				DRAFT WHERE APPLICABLE MUST REMAIN WITHIN DIMENSIONS		CHECKED BY FJAKLIC	DATE 04/30/08	APPROVED BY GPRATT	
						SEE CHART		MATERIAL NO.	DATE 05/05/08	DOCUMENT NO. SD-31387-073	
				SIZE B		THIS DRAWING CONTAINS INFORMATION THAT IS PROPRIETARY TO MOLEX INCORPORATED AND SHOULD NOT BE USED WITHOUT WRITTEN PERMISSION					
						SHEET NO. 2 OF 3					

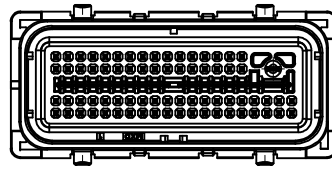
SHROUD ASSEMBLY NUMBER	COLOR	HARNESS SIDE KEY CODE	PCB SIDE KEY LOCATION		MATING HARNESS PART NUMBER
			DIM. "A" (SEE SHEET 2)	DIM. "B" (SEE SHEET 2)	
31387-2014	BLACK	A	13.97	29.21	345660103
31387-2002	GRAY	B	8.89	19.05	345660203
31387-2003	BLUE	C	8.89	24.13	345660303



MATE SIDE
POLARIZATION KEY
AT CORNERS

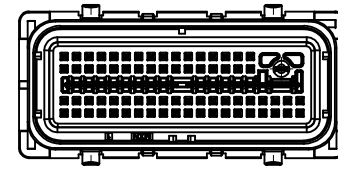
MOLEX P/N 31387-2014
KEY OPTION 'A'
COLOR: BLACK

SEE CHART FOR PART NUMBER
OF MATING HARNESS CONNECTOR



MOLEX P/N 31387-2002
KEY OPTION 'B'
COLOR: GRAY

SEE CHART FOR PART NUMBER
OF MATING HARNESS CONNECTOR



MOLEX P/N 31387-2003
KEY OPTION 'C'
COLOR: BLUE

SEE CHART FOR PART NUMBER
OF MATING HARNESS CONNECTOR

ENTER DESCRIPTION EC NO: UAU2009-1301 DRWNG: FENCL 2009/07/22 CHKDF: JAKLIC 2009/07/22 APPR: GPRATT 2009/07/24 REV A	QUALITY SYMBOLS	GENERAL TOLERANCES (UNLESS SPECIFIED)		DIMENSION STYLE		SCALE	DESIGN UNITS	THIRD ANGLE PROJECTION	
	$\nabla=0$ $\nabla=0$	mm	INCH	MM ONLY		2:1	METRIC	TITLE 73 CKT SHROUD ASSEMBLY 0.64 SQ. PINS MX123	
		4 PLACES ± ---	± ---	DRAWN BY	DATE	MOLEX INCORPORATED DOCUMENT NO. SD-31387-073			
		3 PLACES ± ---	± ---	FJAKLIC	04/30/08	SHEET NO. 3 OF 3			
		2 PLACES ± 0.13	± ---	CHECKED BY	DATE				
	1 PLACE ± 0.25	± ---	FJAKLIC	04/30/08					
	ANGULAR ± 1°		APPROVED BY	DATE					
DRAFT WHERE APPLICABLE MUST REMAIN WITHIN DIMENSIONS		SEE CHART		GPRATT	05/05/08				
				MATERIAL NO.					