

PLEASE CHECK WWW.MOLEX.COM FOR LATEST PART INFORMATION

Part Number: [0358114011](#)
Status: **Active**
Description: 2.54mm (.100") Pitch IDT Receptacle, with Polarization, 40 Circuits

Documents:

[Drawing \(PDF\)](#) [RoHS Certificate of Compliance \(PDF\)](#)
[Product Specification PS-35811-001 \(PDF\)](#)

Agency Certification

CSA LR19980
 UL E29179

General

Product Family IDT and Solder Connectors
 Series [35811](#)
 Crimp Quality Equipment Yes
 Product Name N/A

Physical

Circuits (Loaded) 40
 Flammability 94V-0
 Gender Female
 Glow-Wire Compliant No
 Lock to Mating Part None
 Number of Rows 2
 Packaging Type Tray
 Panel Mount No
 Pitch - Mating Interface (in) 0.100 In
 Pitch - Mating Interface (mm) 2.54 mm
 Polarized to Mating Part Yes
 Temperature Range - Operating -40°C to +105°C
 Wire Size AWG 22

Electrical

Current - Maximum per Contact 1A
 Voltage - Maximum 125V

Material Info

Reference - Drawing Numbers

Product Specification PS-35811-001
 Sales Drawing SD-35811-001

EU RoHS

**ELV and RoHS
Compliant**

REACH SVHC

Not Reviewed

Halogen-Free

Status

Not Reviewed

China RoHS



**Need more information on product
environmental compliance?**

Email productcompliance@molex.com
 For a multiple part number RoHS Certificate of
 Compliance, [click here](#)

Please visit the [Contact Us](#) section for any
 non-product compliance questions.

Search Parts in this Series

[35811Series](#)

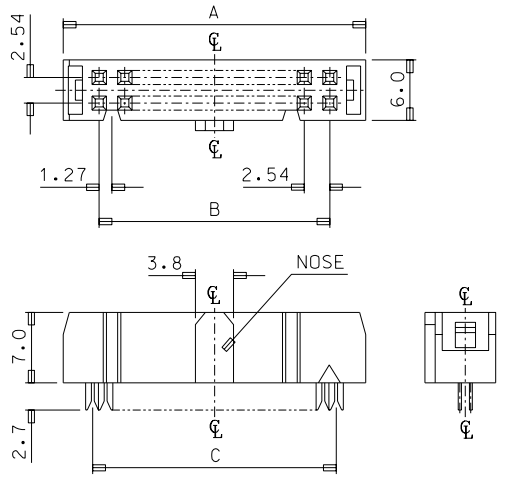
Mates With

[68126](#)

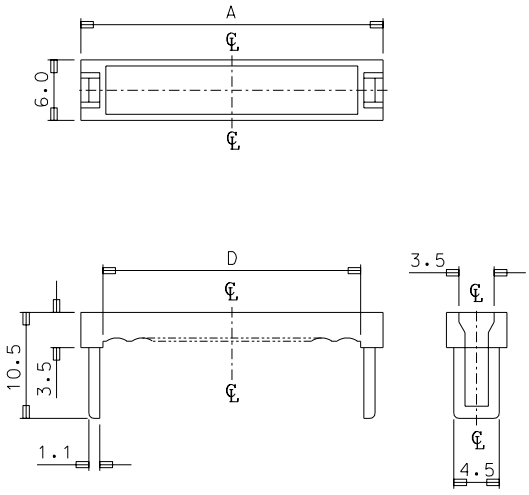
DO NOT SCALE DRAWING DIMENSION IN METRIC

PROJECT NO. SIMILAR ITEM DWG. NO. SD 35811-001

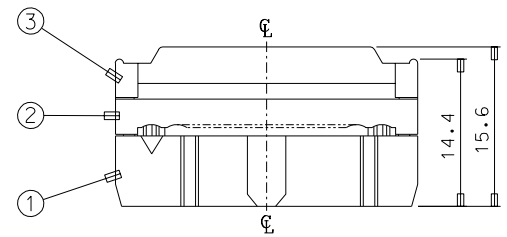
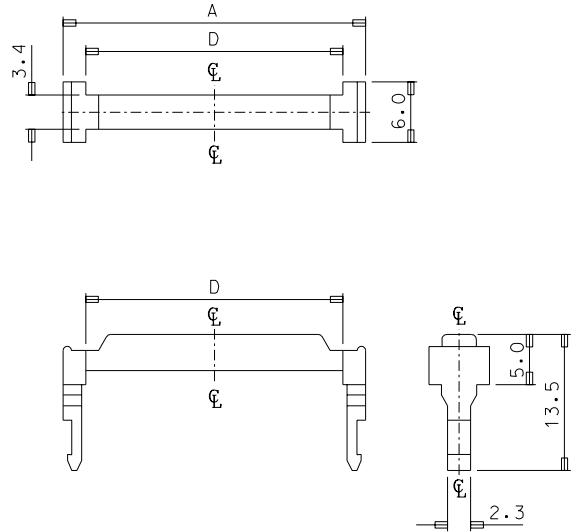
PART ① : MAIN BODY



PART ② : PROTECTOR



PART ③ : STRAIN RELIEF



ASSEMBLED STATE

NOTES
1. Product Specification : PS-35811-001

COMPONENT	MATERIAL	REMARK
MOLDING	PBT (UL94V-0)	GLASS FILLED
CONTACT	COPPER ALLOY	GOLD PLATING

No. of PIN	PART No.	A	B	C	D	POLARIZING NOSE
10	35811-1011	17.27	10.16	11.43	12.80	1 AT CENTER
14	35811-1411	22.35	15.24	16.51	17.88	
16	35811-1611	24.89	17.78	19.05	20.42	
20	35811-2011	29.97	22.86	24.13	25.50	
26	35811-2611	37.59	30.48	31.75	33.12	
30	35811-3011	42.67	35.56	36.83	38.20	
34	35811-3411	47.75	40.64	41.91	43.28	1 each on LH and RH sides
40	35811-4011	55.37	48.26	49.53	50.90	
50	35811-5011	68.07	60.96	62.23	63.60	
60	35811-6011	80.77	73.66	74.93	76.30	
64	35811-6411	85.85	78.74	80.01	81.38	

REVISED NO. KDR1998-0109 DRAWN: YSK/IM (980830) CHK: JKH APPR: CWLEE	DESCRIPTION	QUALITY SYMBOLS	GENERAL TOLERANCES: (UNLESS SPECIFIED)	SCALE 2/1	DESIGN UNITS <input checked="" type="checkbox"/> mm <input type="checkbox"/> INCH	THIRD ANGLE PROJECTION <input checked="" type="checkbox"/> THIRD ANGLE	DIMENSIONS: <input type="checkbox"/> mm <input type="checkbox"/> INCH <input checked="" type="checkbox"/> mm ONLY	SHT	REV
		MAJOR	mm INCH	DRAWN BY & DATE J.S.KANG 980830	TITLE: 2.54 IDT RECEPTACLE (WITH POLARIZATION)				
B	REV	CRITICAL	4 PLACES ±. INCH	CHECKED BY & DATE J.K.Oh	MATERIAL NO. DRAWING NO. SHEET NO.				
			3 PLACES ±. INCH	APPROVED BY & DATE C.W.Lee	SD35811.S01 SD 35811-001 1 of 2				
			2 PLACES ±. INCH	MATERIAL NO. DRAWING NO. SHEET NO.					
			1 PLACE ±0.3 INCH	SD35811.S01 SD 35811-001 1 of 2					
			ANGULAR: ± 1 °	THIS DRAWING CONTAINS INFORMATION THAT IS PROPRIETARY TO MOLEX INCORPORATED AND SHOULD NOT BE USED WITHOUT WRITTEN PERMISSION.					
			DRAFT WHERE APPLICABLE MUST REMAIN WITHIN DIMENSIONS	SIZE B					