

PLEASE CHECK WWW.MOLEX.COM FOR LATEST PART INFORMATION

Part Number: [0483361003](#)
Status: **Active**
Overview: slimline serial ata odd connectors
Description: 1.00mm (.039"), 1.27mm (.050") Pitch Slimline Serial ATA Receptacle, Right Angle, Reverse SMT with Clip, 0.76µm (30µ") Gold (Au) Plating, Mounted Height: 7.10mm (.280"), Lead free

Documents:

[3D Model](#) [Product Specification PS-48321-001 \(PDF\)](#)
[Drawing \(PDF\)](#) [RoHS Certificate of Compliance \(PDF\)](#)

Agency Certification

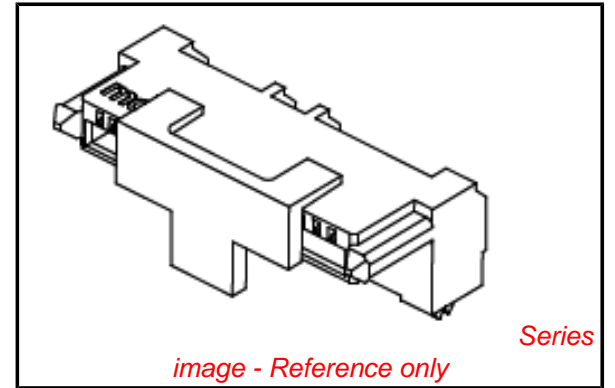
CSA LR19980
 UL E29179

General

Product Family PCB Receptacles
 Series [48336](#)
 Application Board-to-Board
 Comments Reverse SMT Type, with Clip
 Overview [slimline serial ata odd connectors](#)
 Product Name Serial ATA, Slimline Serial ATA

Physical

Circuits (Loaded) 13
 Circuits (maximum) 13
 Color - Resin Black
 Durability (mating cycles max) 500
 Flammability 94V-0
 Glow-Wire Compliant No
 Guide to Mating Part Yes
 Keying to Mating Part Yes
 Lock to Mating Part No
 Material - Metal Copper Alloy
 Material - Plating Mating Gold
 Material - Plating Termination Tin
 Material - Resin High Temperature Thermoplastic
 Number of Rows 1
 Orientation Right Angle
 PCB Locator No
 PCB Retention Yes
 Packaging Type Embossed Tape on Reel
 Pitch - Mating Interface (in) 0.039 In, 0.050 In
 Pitch - Mating Interface (mm) 1.00 mm, 1.27 mm
 Pitch - Term. Interface (in) 0.039 In, 0.050 In
 Pitch - Term. Interface (mm) 1.00 mm, 1.27 mm
 Plating min: Mating (µin) 30
 Plating min: Mating (µm) 0.76
 Plating min: Termination (µin) 100
 Plating min: Termination (µm) 2.54
 Polarized to Mating Part Yes
 Polarized to PCB Yes
 Robotic Placement Pick and Place Cap
 Stackable No
 Temperature Range - Operating -40°C to +85°C
 Termination Interface: Style Surface Mount



EU RoHS

ELV and RoHS Compliant
REACH SVHC
 Not Reviewed
Halogen-Free Status

China RoHS



Need more information on product environmental compliance?

Email productcompliance@molex.com
 For a multiple part number RoHS Certificate of Compliance, [click here](#)

Please visit the [Contact Us](#) section for any non-product compliance questions.

Search Parts in this Series

[48336Series](#)

Mates With

[473001xxx Slimline Serial ATA Plugs](#)

Electrical

Current - Maximum per Contact	1A
Grounding to PCB	Yes
Voltage - Maximum	15V (RMS)

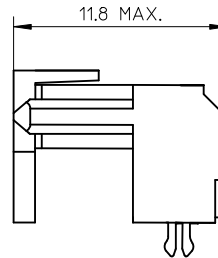
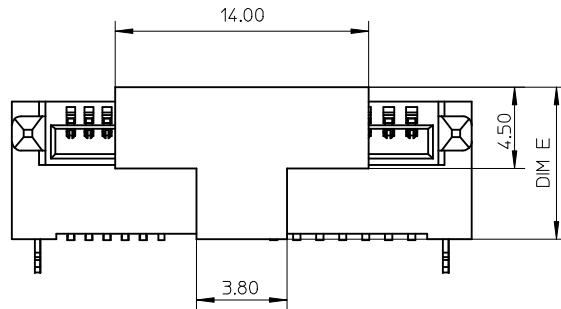
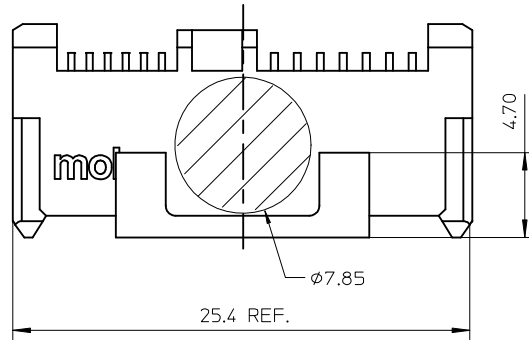
Material Info**Reference - Drawing Numbers**

Packaging Specification	PK-48336-001
Product Specification	PS-48321-001, RPS-48336-001
Sales Drawing	SD-48336-001
Test Summary	TS-48336-103

This document was generated on 05/31/2010

PLEASE CHECK WWW.MOLEX.COM FOR LATEST PART INFORMATION

P/N	PLATING OPTIONS	DIM C	DIM D	DIM E	WITHSTANDING MFG TEST
48336-1001	GOLD FLASH	7.10	5.35	7.90	NO
48336-1002	15 MICROINCH				NO
48336-1003	30 MICROINCH				YES
48336-2001	GOLD FLASH	7.60	5.85	8.40	NO
48336-2002	15 MICROINCH				NO
48336-2003	30 MICROINCH				YES



NOTES:

1.MATERIAL:

HOUSING :LIQUID CRYSTAL POLYMER,GLASS FIBER FILLED, UL94V-0,COLOR:BLACK.

CAP: LIQUID CRYSTAL POLYMER,GLASS FIBER FILLED, UL94V-0, COLOR:IVORY.

TERMINAL:COPPER ALLOY.

CLIP:COPPER ALLOY.

2.PLATING:

TERMINAL:

CONTACT AREA:SEE TABLE

SOLDER TAIL:MATTE TIN,THICKNESS=100 MICROINCH MIN/2.54 MICROMETER MIN.

UNDER PLATE:NICKEL(NI),THICKNESS=50 MICROINCH MIN/1.27 MICROMETER MIN.

CLIP:TIN(Sn),THICKNESS=100 MICROINCH MIN/2.54 MICROMETER MIN.

3. PICK & PLACE VACUUM AREA.

4.RECOMMENDED PCB THICKNESS:1.20±0.05mm

5.PRODUCT SPECIFICATION REFER TO PS-48321-001

6.TEST SUMMARY:

48336-1003 REFER TO TS-48336-103

48336-2003 REFER TO TS-48336-203

7.PACKAGING SPECIFICATION REFER TO PK-48336-001

8.LEAD FREE & RoHS COMPLIANT PRODUCT.

REVISE EC NO: SH2009-0783 DRW:NFYANG05 2009/07/21 CHK:DHHE 2009/07/22 APPR:RZHANG 2009/08/17	DESCRIPTION REV	QUALITY SYMBOLS =0 =0	GENERAL TOLERANCES (UNLESS SPECIFIED)		DIMENSION STYLE MM ONLY		SCALE 1:1	DESIGN UNITS METRIC	THIRD ANGLE PROJECTION	
			mm	INCH	DRAWN BY LINDA	DATE 2008/7/25	TITLE SLIMLINE SATA RECEPTACLE REVERSE SMT TYPE WITH CLIP			
		4 PLACES	± ---	± ---	CHECKED BY DMZHANG02	DATE 2008/7/31				
		3 PLACES	± 0.10	± ---	APPROVED BY HWWANG	DATE 2008/7/31	MOLEX INCORPORATED			
2 PLACES	± 0.15	± ---	MATERIAL NO. SEE TABLE	DOCUMENT NO. SD-48336-001	SHEET NO. 2 OF 2					
1 PLACE	± 0.25	± ---	DRAFT WHERE APPLICABLE MUST REMAIN WITHIN DIMENSIONS		THIS DRAWING CONTAINS INFORMATION THAT IS PROPRIETARY TO MOLEX INCORPORATED AND SHOULD NOT BE USED WITHOUT WRITTEN PERMISSION					
			ANGULAR ± 3 °							