

PLEASE CHECK WWW.MOLEX.COM FOR LATEST PART INFORMATION

Part Number: [0003067023](#)
Status: **Active**
Overview: [standard_062](#)
Description: 1.57mm (.062") Diameter Standard .062 Pin and Socket Plug Housing, Black, 2 Circuits, Without Mounting Ears, Black

Documents:

[3D Model](#) [Product Specification PS-02-06 \(PDF\)](#)
[Drawing \(PDF\)](#) [RoHS Certificate of Compliance \(PDF\)](#)

Agency Certification

CSA LR19980
TUV R72081037
UL E29179

General

Product Family Crimp Housings
Series [1625](#)
Comments Polarized to Mating Part
Overview [standard_062](#)
Product Name Standard .062"

Physical

Breakaway No
Circuits (maximum) 2
Circuits Detail 1x2
Color - Resin Black
Flammability 94V-2
Gender Plug
Glow-Wire Compliant No
Keying to Mating Part None
Lock to Mating Part Yes
Material - Resin Nylon
Number of Rows 1
Packaging Type Bag
Panel Mount No
Pitch - Mating Interface (in) 0.145 In
Pitch - Mating Interface (mm) 3.68 mm
Pitch - Term. Interface (in) 0.145 In
Pitch - Term. Interface (mm) 3.96 mm
Polarized to Mating Part Yes
Stackable No
Temperature Range - Operating -40°C to +105°C

Electrical

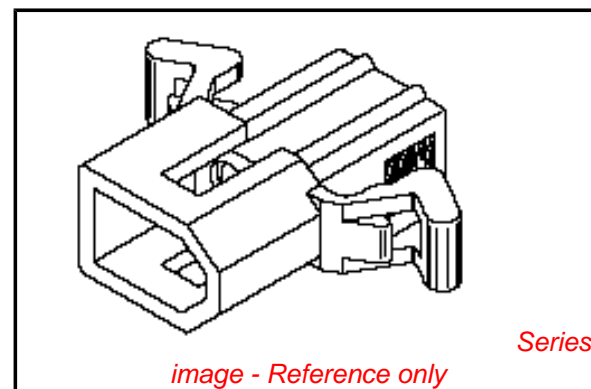
Current - Maximum per Contact 5A

Material Info

Old Part Number 1625-2P1-BK

Reference - Drawing Numbers

Packaging Specification PK-1625-001
Product Specification PS-02-06
Sales Drawing SD-1625-2*



EU RoHS

ELV and RoHS Compliant
REACH SVHC
Not Reviewed
Halogen-Free Status
Not Reviewed

China RoHS



Need more information on product environmental compliance?

Email productcompliance@molex.com
For a multiple part number RoHS Certificate of Compliance, [click here](#)

Please visit the [Contact Us](#) section for any non-product compliance questions.

Search Parts in this Series

[1625Series](#)

Mates With

[1625](#) Receptacle

Use With

Female Crimp Terminals [1561](#)[Link:4559](#), [4529](#), [2190](#), [2189](#), [1787](#), [1855](#). Male Crimp Terminals [1560](#), [1786](#), [1854](#), [1778](#). Male PC Tail Terminals. [1779](#) Female PC Tail Terminals

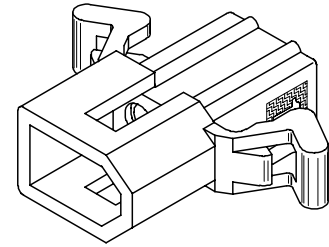
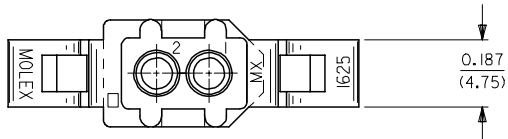
This document was generated on 06/07/2010

PLEASE CHECK WWW.MOLEX.COM FOR LATEST PART INFORMATION

13 12 11 10 9 8 7 6 5 4 3 2 1

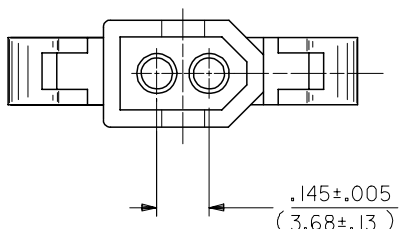
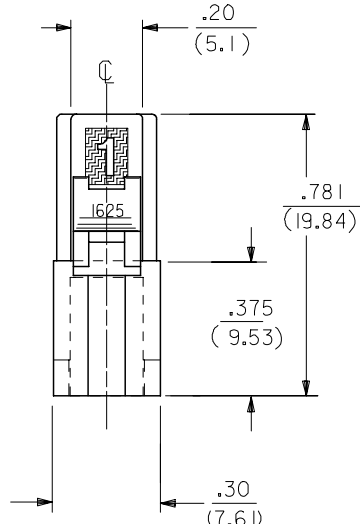
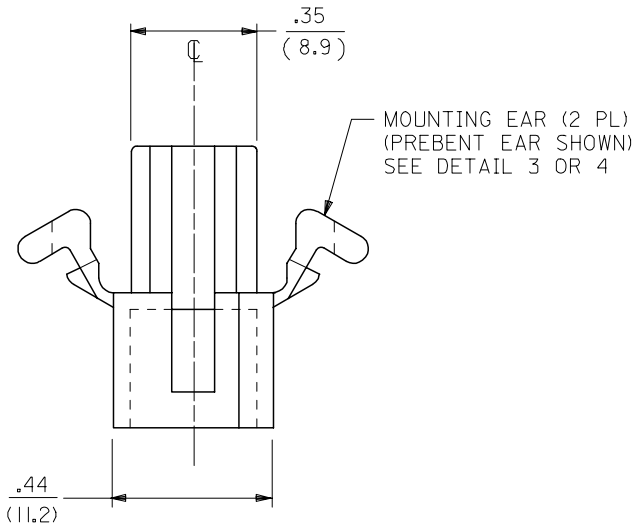
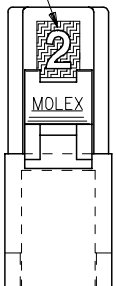
J
I
H
G
F
E
D
C
B
A

J
I
H
G
F
E
D
C
B
A



PLUG HOUSING

CIRCUIT I.D.



3	AE1
2	AE1
1	AE1
SHT.REV.	

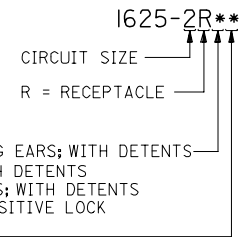
ADD NEW TOOL STEP EC NO: UCP2007-1980 DRAWN/PRI/DDR 2007/04/13 CHKD: AEL/HAG 2007/04/16 APPR: FSM/TH 2007/04/19 REVISION AE1	QUALITY SYMBOLS 	GENERAL TOLERANCES (UNLESS SPECIFIED)		DIMENSION STYLE IN/MM		SCALE 4:1	DESIGN UNITS INCH	THIRD ANGLE PROJECTION	
		4 PLACES ± --- ± --- 3 PLACES ± --- ± .007 2 PLACES ± 0.18 ± .010 1 PLACE ± 0.25 ± ---	mm INCH	DRAWN BY JJS	DATE 1988/04/13	TITLE PLUG AND RECEPTACLE 2 CIRCUIT HOUSINGS .062/(1.57) DIA.			
		ANGULAR ± 1 °		CHECKED BY RW	DATE 1988/04/13	MATERIAL NO. SD-1625-2*			
		DRAFT WHERE APPLICABLE MUST REMAIN WITHIN DIMENSIONS		APPROVED BY RAS	DATE 1988/04/13	SEE CHART		DOCUMENT NO.	SHEET NO. 1 OF 3

12 11 10 9 8 7 6 5 4 3 2 1

PLUG		OBSOLETE
PART NO.	ENG. NO.	
03-06-7023	I625-2PIBK	
03-06-2023	I625-2P1	
03-06-7027	I625-2P2BK	
03-06-2024	I625-2P2	

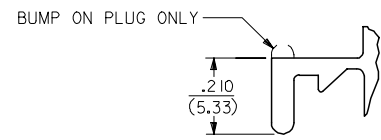
RECEPTACLE		OBSOLETE
PART NO.	ENG. NO.	
03-06-6023	I625-2RIBK	
03-06-1020	I625-2R3	
03-06-1023	I625-2R1	
03-06-1022	I625-2R2	
03-06-6025	I625-2R2RD	
03-06-6026	I625-2R2GN	
03-06-6027	I625-2R2BU	
03-06-6022	I625-2R2BK	
03-06-6028	I625-2R1BU	

RECEPTACLE LEGEND:



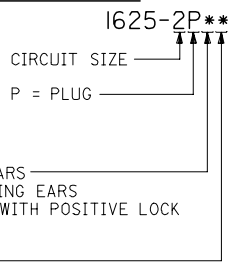
BLANK = WITH STANDARD MOUNTING EARS; WITH DETENTS
 1 = WITHOUT MOUNTING EARS; WITH DETENTS
 2 = WITH PREBENT MOUNTING EARS; WITH DETENTS
 3 = W/O MOUNTING EARS, WITH POSITIVE LOCK

BLANK = NATURAL
 AM=AMBER BK=BLACK BU=BLUE
 BN=BROWN GY=GRAY GN=GREEN
 OR=ORANGE RD=RED YW=YELLOW



DETAIL 3
STANDARD MOUNTING EARS
(SCALE 4:1)

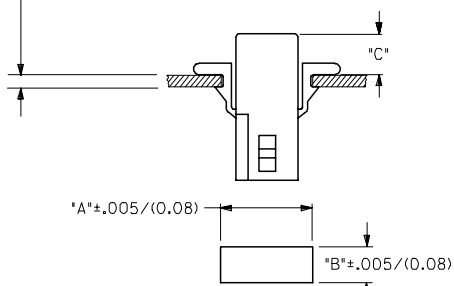
PLUG LEGEND:



1 = WITHOUT MOUNTING EARS
 2 = WITH PREBENT MOUNTING EARS
 3 = W/O MOUNTING EARS, WITH POSITIVE LOCK

BLANK = NATURAL
 AM=AMBER BK=BLACK BU=BLUE
 BN=BROWN GY=GRAY GN=GREEN
 OR=ORANGE RD=RED YW=YELLOW

MAX. PANEL THICKNESS .060/(1.52)

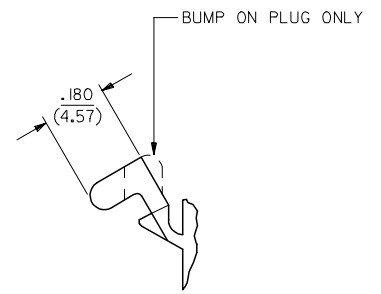


RECOMMENDED HOLE PATTERN

HOUSING	DIM. "A"	DIM. "B"	PREBENT EAR DIM. "C"	STD. EAR DIM. "C"
PLUG	.609 (15.47)	.318 (8.08)	.24 (6.0)	.24 (6.1)
RECEPTACLE	.505 (12.83)	.265 (6.73)	.25 (6.4)	.25 (6.4)

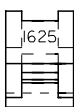
NOTES:

1. MATERIAL - NYLON TYPE 6/6, 94V-2
2. FINISH: NONE
3. PRODUCT SPECIFICATION: PS-02-06
4. PACKAGING SPECIFICATION: PK-1625-001
5. POSITIVE LOCK VERSION REQUIRES USE OF A SCREWDRIVER OR SIMILAR TOOL TO LIFT SHROUD ON PLUG HOUSING IN ORDER TO UNMATE RECEPTACLE HOUSINGS
6. HOUSINGS FOR USE WITH MOLEX .062/(1.57) DIA. SERIES TERMINALS.
7. CIRCUIT I.D. NUMBERS ON SIDE OF HOUSING APPEAR ON PARTS FROM TOOLS BUILT AFTER 07/01/1991.
8. THIS PART CONFORMS TO CLASS B REQUIREMENTS OF COSMETIC SPECIFICATION PS-45499-002.



DETAIL 4

PREBENT MOUNTING EARS
(SCALE 4:1)



UPDATE NOTES EC NO: UCP2007-1980 DRAWN: PPR/DDEE 2007/04/13 CHKD: AEL/HAG 2007/04/16 APPR: FSM/TH 2007/04/19 REVISIONS A1	QUALITY SYMBOLS ▽=0 ▽=0	GENERAL TOLERANCES (UNLESS SPECIFIED)		DIMENSION STYLE IN/MM		SCALE 2:1	DESIGN UNITS INCH	THIRD ANGLE PROJECTION
		4 PLACES ± --- ± --- 3 PLACES ± --- ± .007 2 PLACES ± 0.18 ± .010 1 PLACE ± 0.25 ± --- ANGULAR ± 1 °	DRAWN BY JJS DATE 1988/04/14	CHECKED BY RW DATE 1988/04/14	TITLE PLUG & RECEPTACLE 2 CIRCUIT HOUSINGS .062(1.57)DIA.			
		DRAFT WHERE APPLICABLE MUST REMAIN WITHIN DIMENSIONS	APPROVED BY RAS DATE 1988/04/14	MATERIAL NO. SEE CHART	DOCUMENT NO. SD-1625-2*	SHEET NO. 3 OF 3		
		THIS DRAWING CONTAINS INFORMATION THAT IS PROPRIETARY TO MOLEX INCORPORATED AND SHOULD NOT BE USED WITHOUT WRITTEN PERMISSION						