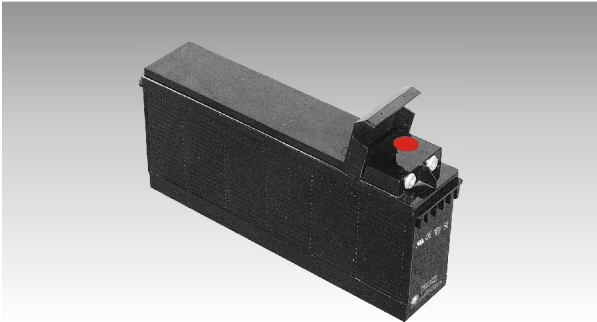
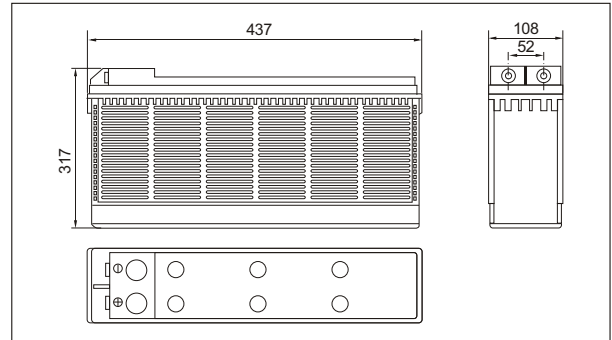




SWF121250(12V125AH)



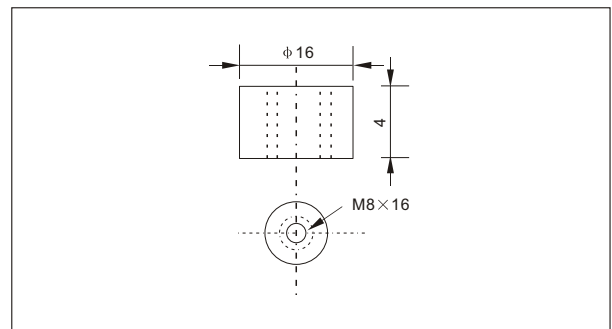
Outer dimensions (mm)



Specifications

Nominal Voltage		12V
Rated capacity (10 hour rate)		125Ah
Dimensions	Total Height	317mm (12.84 inches)
	Height	317 mm (12.84 inches)
	Length	437 mm (17.2 inches)
	Width	108 mm (4.25 inches)
Weight Approx		39Kg (85.9lbs)

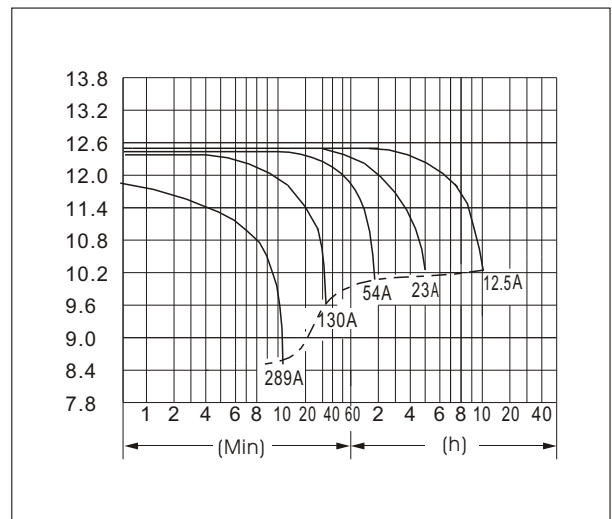
Terminal Type (mm)



Characteristics

Capacity 25°C(77°F)	10 hour rate(12.5A) 5 hour rate(21.9A) 1 hour rate(85A)	125 AH 109.5AH 85 AH
	1.5 hour discharge to 10.5V	50 A
Internal Resistance	Full charged Battery at 25°C(77°F)	5 mΩ
Capacity affected by Temperature (10hour rate)	40°C(104°F)	102%
	25°C(77°F)	100%
	0°C(32°F)	85%
	-15°C(5°F)	65%
Self-Discharge at 25°C(77°F)	Capacity after 3 month storage	91%
	Capacity after 6 month storage	82%
	Capacity after 12 month storage	64%
Terminal		T46
Charge (constant Voltage)	Cycle	Initial Charging Current less than 32A Voltage 14.10-14.40V
	Float	Voltage 13.50-13.80V

Discharge Curves 25°C(77°F)



Constant Current(Amp) and Constant Power(Watt) Discharge Table at 25°C(77°F)

Time	5min	10min	15min	30min	1h	2h	3h	4h	5h	8h	10h	20h	
9.60V	A	437.5	288.8	237.5	137.5	85.0	43.8	36.3	30.0	23.8	14.6	13.13	7.09
	W	4593.8	3032.5	2493.8	1443.8	917.5	480.0	405.0	338.8	265.0	167.5	151.3	82.4
10.20V	A	412.5	262.5	231.3	130.0	81.3	41.8	35.6	29.4	23.1	14.2	12.88	6.88
	W	4620.0	2940.0	2590.0	1455.0	910.0	480.0	403.8	338.8	265.0	166.3	151.3	80.6
10.50V	A	400.0	237.5	225.0	120.0	77.5	40.8	33.8	27.5	22.5	14.1	12.63	6.88
	W	4640.0	2755.0	2610.0	1392.5	922.5	478.8	397.5	322.5	263.8	166.3	147.5	81.3
10.80V	A	375.0	213.8	200.0	110.0	75.0	39.8	32.3	26.8	21.9	13.8	12.50	6.75
	W	4500.0	2565.0	2402.5	1320.0	900.0	476.3	385.0	320.0	260.0	163.8	148.8	80.4
11.10V	A	362.5	200.0	175.0	100.0	68.8	38.8	30.0	25.0	20.6	13.4	12.00	6.38
	W	4350.0	2400.0	2100.0	1200.0	825.0	465.0	360.0	300.0	247.5	160.5	143.8	77.3