



Approved by:
Checked by:
Issued by:

SPECIFICATION

PRODUCT: SAW FILTER

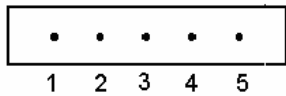
MODEL: HF93801M (K9455M) SIP5K

HOPE MICROELECTRONICS CO., LIMITED

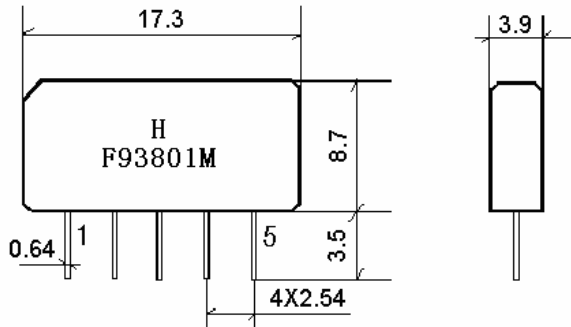
1. Construction

1.1 Dimension and materials

Type : F93801M

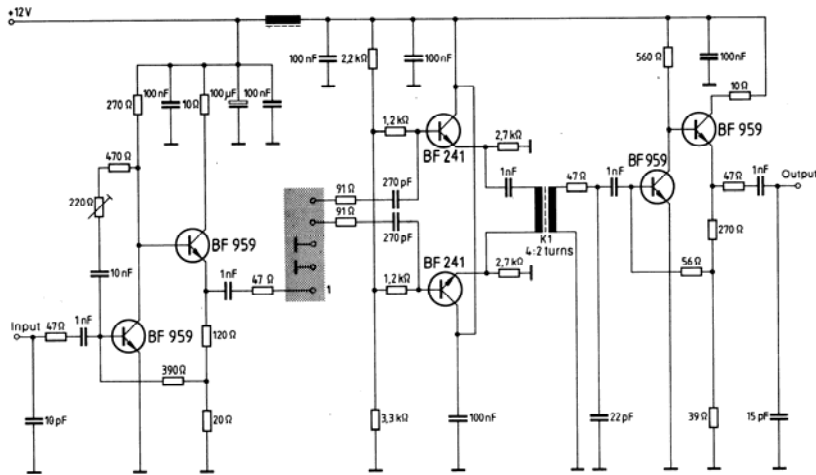


Unit: mm



1. Input channel 1 / Input ground
2. Input ground / Input channel 2
3. Chip carrier - ground
4. Output
5. output

1.2. Circuit construction, measurement circuit



Test circuit for SIP-5 filter
Input impedance of the symmetrical post-amplifier: 2 k Ω in parallel with 3 pF

2.Characteristics

Standard atmospheric conditions

Unless otherwise specified, the standard range of atmospheric conditions for making measurements and tests is as follows;

- Ambient temperature : 15°C to 35°C
- Relative humidity : 25% to 85%
- Air pressure : 86kPa to 106kPa

Operating temperature rang

Operating temperature rang is the rang of ambient temperatures in which the filter can be operated continuously. $-10^{\circ}\text{C} \sim +60^{\circ}\text{C}$

Storage temperature rang

Storage temperature rang is the rang of ambient temperatures at which the filter can be stored without damage.

Conditions are as specified elsewhere in these specifications. $-40^{\circ}\text{C} \sim +70^{\circ}\text{C}$

Reference temperature $+25^{\circ}\text{C}$

2.1 Maximum Rating

DC voltage	VDC	12	V	Between any terminals
AC voltage	Vpp	10	V	Between any terminals

2.2 Electrical Characteristics

Characteristics of channel 1

Source impedance $Z_s=50\ \Omega$

Load impedance $Z_L=2k\ \Omega // 3pF$ $T_A=25^{\circ}\text{C}$

Item	Freq	min	typ	max	
Insertion attenuation Reference level	32.50MHz	12.6	14.6	16.6	dB
Relative attenuation	31.45MHz	-2.3	-0.8	0.7	dB
	31.50MHz	-2.3	-0.8	0.7	dB
	32.00MHz	-1.7	-0.2	1.3	dB
	38.00MHz	40.0	50.0	-	dB
	33.57MHz	28.0	42.0	-	dB
	30.00MHz	41.0	52.0	-	dB
	39.50MHz	41.0	50.0	-	dB
	40.00MHz	38.0	44.0	-	dB
Sidelobe	25.00~30.00MHz	35.0	40.0	-	dB
	38.00~45.00MHz	35.0	42.0	-	dB
Temperature coefficient		-72		ppm/k	

Characteristics of channel 2

Source impedance $Z_s=50\ \Omega$

Load impedance $Z_L=2k\ \Omega // 3pF$ $T_A=25^{\circ}\text{C}$

Item	Freq	min	typ	max	
Insertion attenuation Reference level	33.50MHz	12.6	14.6	16.6	dB
Relative attenuation	38.00MHz	40.0	52.0	-	dB
	34.42MHz	26.0	38.0	-	dB

	32.00MHz	32.0	50.0	1.4	dB
	39.50MHz	40.0	50.0	-	dB
Sidelobe	25.00~32.00MHz	25.0	28.0	-	dB
	38.00~45.00MHz	35.0	40.0	-	dB
Temperature coefficient		-72			ppm/k

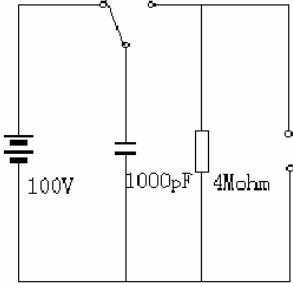
2.3 Environmental Performance Characteristics

Item Test condition	Allowable change of absolute Level at center frequency(dB)
High temperature test 70°C 1000H	< 1.0
Low temperature test -40°C 1000H	< 1.0
Humidity test 40°C 90-95% 1000H	< 1.0
Thermal shock -20°C==25°C==80°C 20 cycle 30M 10M 30M	< 1.0
Solder temperature test Sold temp.260°C for 10 sec.	< 1.0
Soldering Immerse the pins melt solder at 260°C+5/-0°C for 5 sec.	More then 95% of total area of the pins should be covered with solder

2.4 Mechanical Test

Item Test condition	Allowable change of absolute Level at center frequency(dB)
Vibration test 600-3300rpm amplitude 1.5mm 3 directions 2 H each	<1.0
Drop test On maple plate from 1 m high 3 times	<1.0
Lead pull test Pull with 1 kg force for 30 seconds	<1.0
Lead bend test 90° bending with 500g weigh 2 times	<1.0

2.5 Voltage Discharge Test

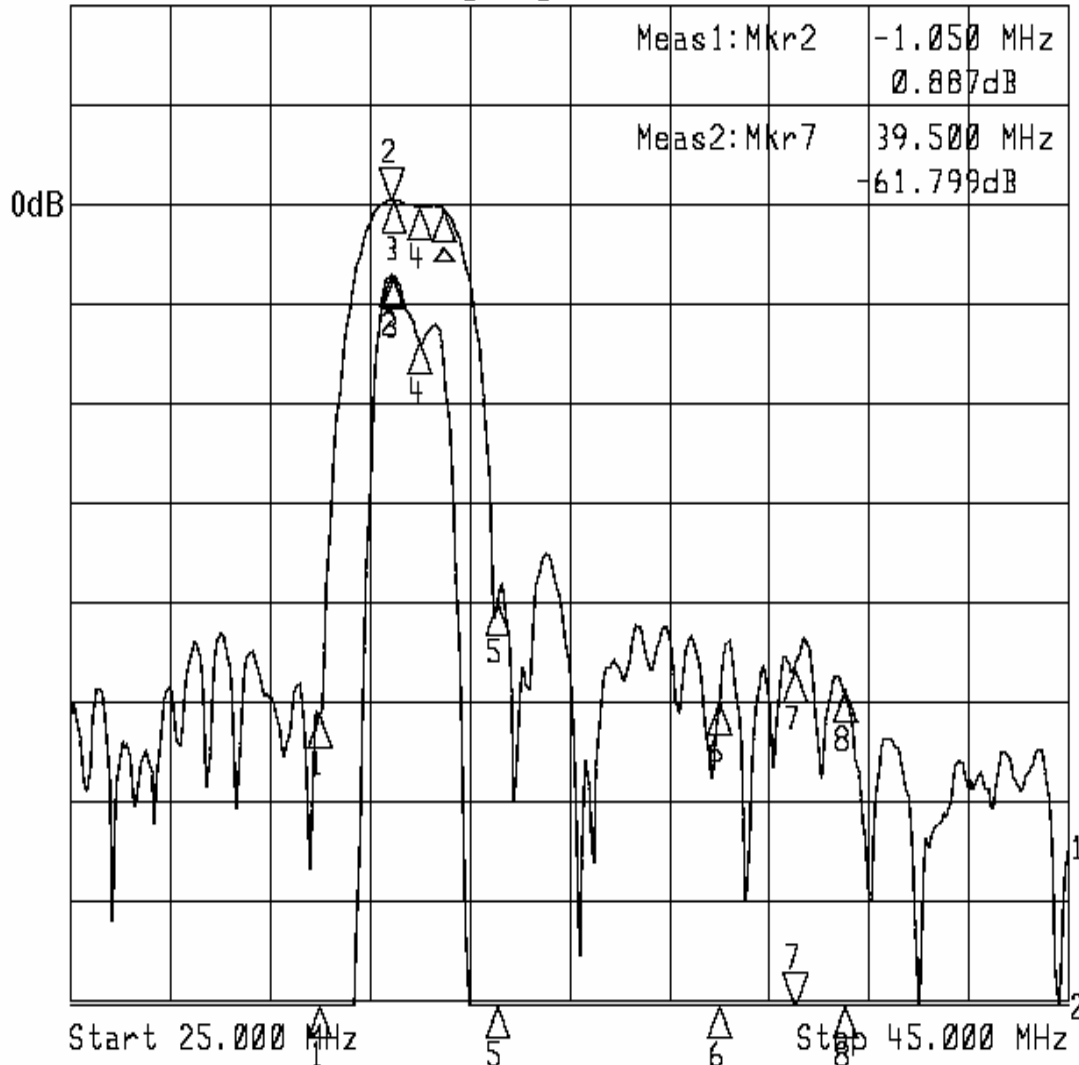
Item Test condition	Allowable change of absolute Level at center frequency(dB)
<p data-bbox="236 315 592 383">Surge test Between any two electrode</p>  <p data-bbox="352 591 603 618">100V 100pF 4Mohm</p>	<p data-bbox="1050 517 1114 544"><1.0</p>

2.6 Frequency response:

Frequency response of channel 1:

►1: Transmission /M Log Mag 10.0 dB/

▷2: Transmission /M Log Mag 1.0 dB/

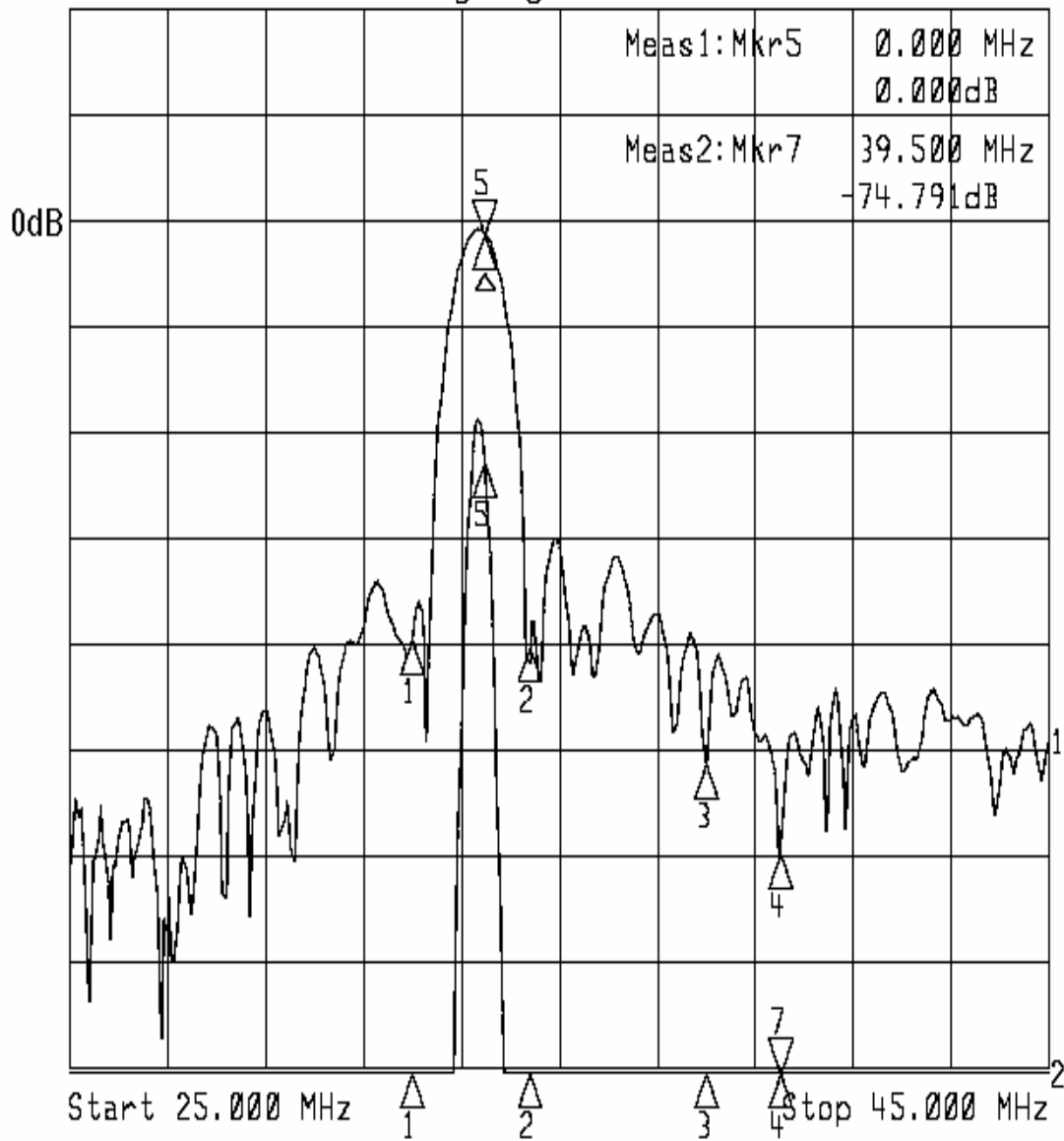


1: Mkr Δ(MHz)	dB	2: Mkr (MHz)	dB		
1:	-2.5000	-50.849	1:	30.0000	-66.303
2>	-1.0500	0.887	2:	31.4500	-14.576
3:	-1.0000	0.850	3:	31.5000	-14.587
4:	-0.5000	0.204	4:	32.0000	-15.243
5:	1.0700	-39.509	5:	33.5700	-54.936
6:	5.5000	-49.552	6:	38.0000	-64.972
7:	7.0000	-46.355	7>	39.5000	-61.799
8:	8.0000	-48.227	8:	40.5000	-63.688

Frequency response of channel 2:

►1:Transmission /M Log Mag 10.0 dB/

►2:Transmission /M Log Mag 1.0 dB/



1: Mkr Δ(MHz)	dB	2: Mkr (MHz)	dB		
1:	-1.5000	-38.294	1: 32.0000	-54.435	
2:	0.9200	-39.076	2:	34.4200	-55.216
3:	4.5000	-50.114	3:	38.0000	-66.230
4:	6.0000	-58.673	4:	39.5000	-74.791
5>	0.0000	0.000	5:	33.5000	-16.136
			7>	39.5000	-74.791