

PLEASE CHECK WWW.MOLEX.COM FOR LATEST PART INFORMATION

Part Number: **0473220003**
Status: **Active**
Description: 1.00mm (.039") Pitch ExpressCard* Ejector, Bottom Mount, Push-Push Type, for 34.00mm (1.34") Width Card, Lead Free

Documents:

[3D Model](#) [Product Specification PS-47277-001 \(PDF\)](#)
[Drawing \(PDF\)](#) [RoHS Certificate of Compliance \(PDF\)](#)

General

Product Family	Memory Card Sockets
Series	<u>47322</u>
Button Type	Push-Push
Component Type	Ejector (Host)
Product Name	ExpressCard*
Type	N/A

Physical

Card Detection Switch	N/A
Circuits (Loaded)	26
Circuits (maximum)	26
Durability (mating cycles max)	10,000
Ejector Button Side	No Ejector Button Present
Entry Angle	90° Angle (Side Entry)
Keying to Mating Part	Yes
Material - Metal	Piano wire, Stainless Steel
PCB Locator	No
PCB Mounting Side	Reverse
PCB Retention	Yes
Packaging Type	Tray
Pitch - Mating Interface (in)	0.039 In
Pitch - Mating Interface (mm)	1.00 mm
Pitch - Term. Interface (in)	0.039 In
Pitch - Term. Interface (mm)	1.00 mm
Ports	1
Temperature Range - Operating	-40°C to +85°C

Electrical

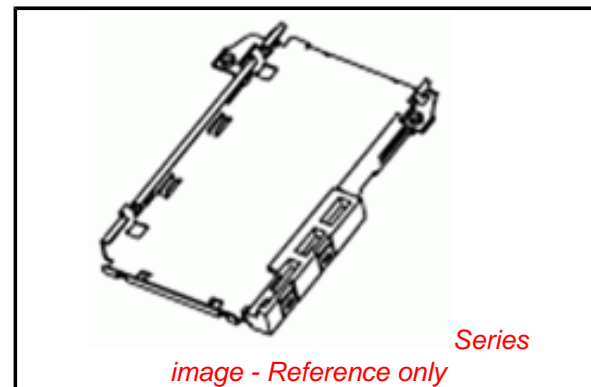
Current - Maximum per Contact	0.75A
Shielded	Yes
Voltage - Maximum	3.3V

Material Info

Reference - Drawing Numbers

Packaging Specification	PK-47322-003
Product Specification	PS-47277-001
Sales Drawing	SD-47322-001

* ExpressCard is trademark, or registered trademark of PCMCIA



EU RoHS

**ELV and RoHS
Compliant**
REACH SVHC
 Not Reviewed
Halogen-Free
Status
Not Reviewed

China RoHS



**Need more information on product
environmental compliance?**

Email productcompliance@molex.com
 For a multiple part number RoHS Certificate of Compliance, [click here](#)

Please visit the [Contact Us](#) section for any non-product compliance questions.

Search Parts in this Series

[47322Series](#)

Mates With

ExpressCard* Module

Use With

[473220002](#)

10 9 8 7 6 5 4 3 2 1

F

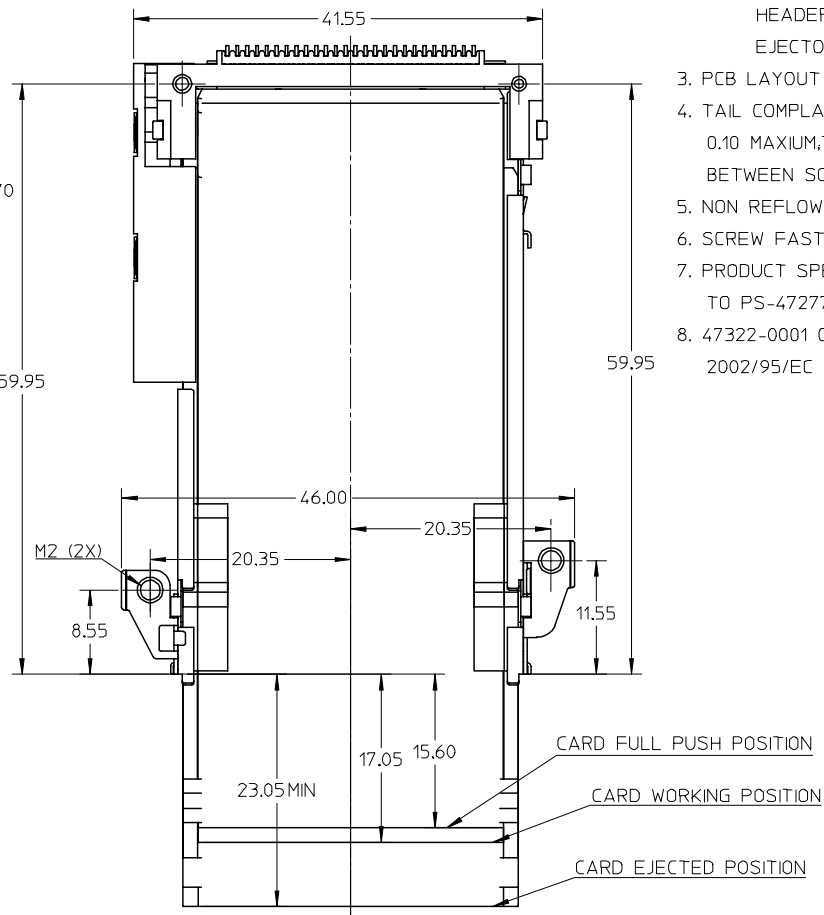
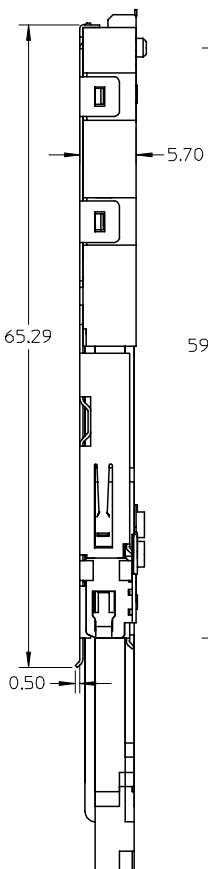
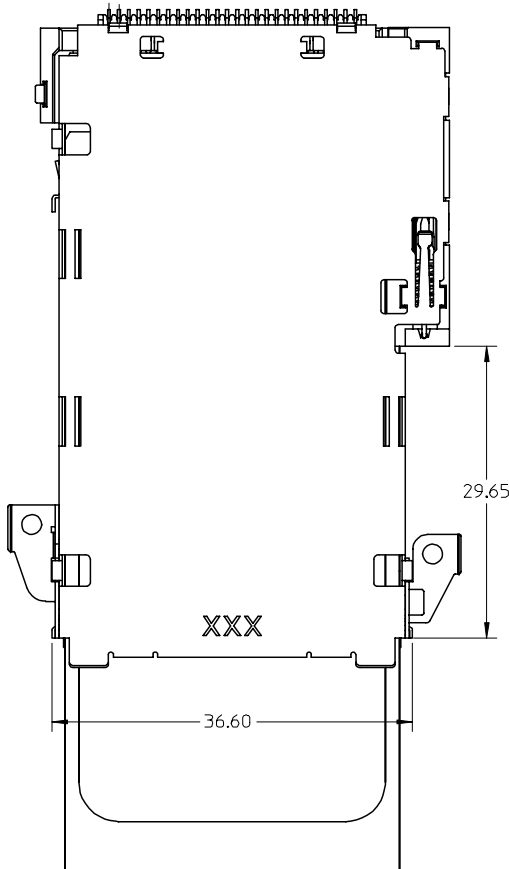
E

D

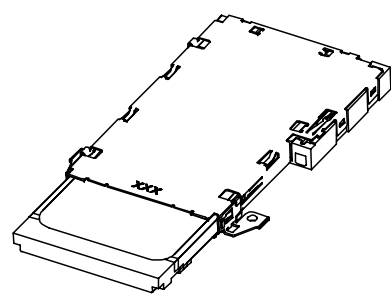
C

B

A



- NOTES:
- CONNECTOR DESIGN BASED ON EXPRESSCARD STANDARD;
 - COMPONENTS:
 HEADER: SHEET 2
 EJECTOR: SHEET 3
 - PCB LAYOUT PLEASE REFER TO SHEET 4,
 - TAIL COMPLANARITY OF HEADER TO BE 0.10 MAXIMUM, TRUE POSITION IS 0.15 MAXIMUM BETWEEN SOLDER TAILS;
 - NON REFLOW PROCESS FOR EJECTOR.
 - SCREW FASTENING TORQUE: 1.0 KGF-CM,
 - PRODUCT SPECIFICATION PLEASE REFER TO PS-47277-001.
 - 47322-0001 COMPLIANT TO RoHS DIRECTIVE 2002/95/EC AND ELV DIRECTIVE 2000/53/EC.



EC NO: SH2007-0352	2006/11/17
DRWN: OCHEN	2006/11/22
CHKD: HARVEY	2006/11/22
APPR: JNCHEN	2006/11/28
REV	DESCRIPTION
A1	

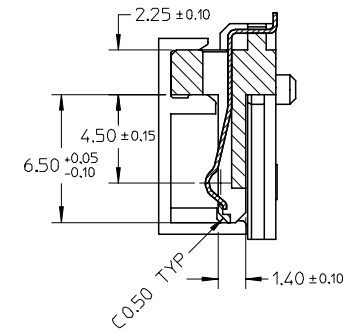
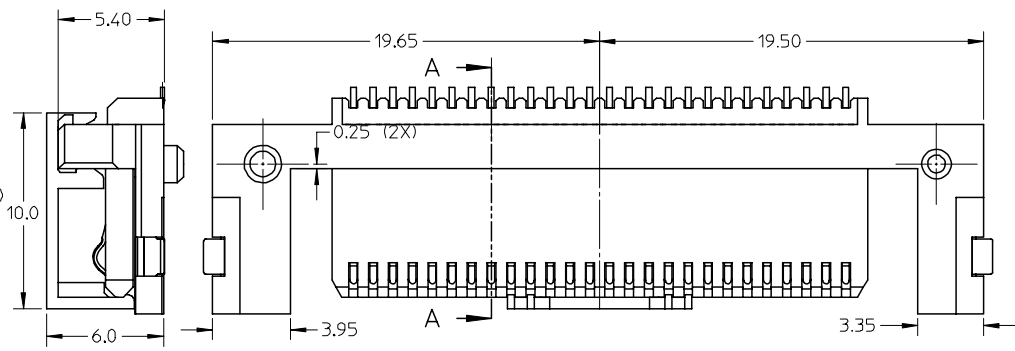
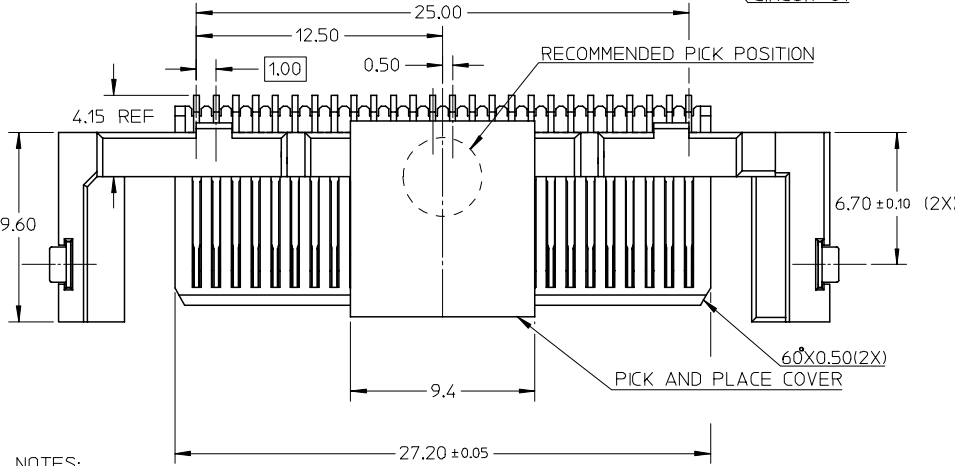
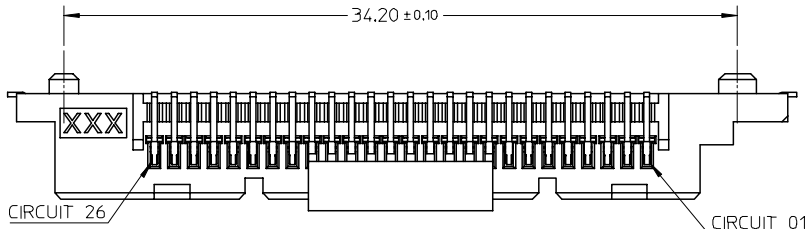
QUALITY SYMBOLS	$\nabla = 0$
	$\nabla C = 0$

GENERAL TOLERANCES (UNLESS SPECIFIED)	mm	INCH
4 PLACES	± 0.30	± 0.012
3 PLACES	± 0.25	± 0.010
2 PLACES	± 0.20	± 0.008
1 PLACE	± 0.15	± 0.006
ANGULAR $\pm 3^\circ$		
DRAFT WHERE APPLICABLE MUST REMAIN WITHIN DIMENSIONS		

DIMENSION STYLE		SCALE	DESIGN UNITS	THIRD ANGLE PROJECTION
MM ONLY		NTS	METRIC	
DRAWN BY	DATE	TITLE		
R. BIAN	2005/05/20	EXPRESSCARD 34MM		
CHECKED BY	DATE	BOTTOM MOUNT		
HARVEY	2006/04/18	PUSH-PUSH TYPE		
APPROVED BY	DATE	MOLEX INCORPORATED		
JENNY	2006/04/18	MATERIAL NO. 47322-0001		
MATERIAL NO.		DOCUMENT NO.	SHEET NO.	
47322-0001		SD-47322-001	1 OF 4	

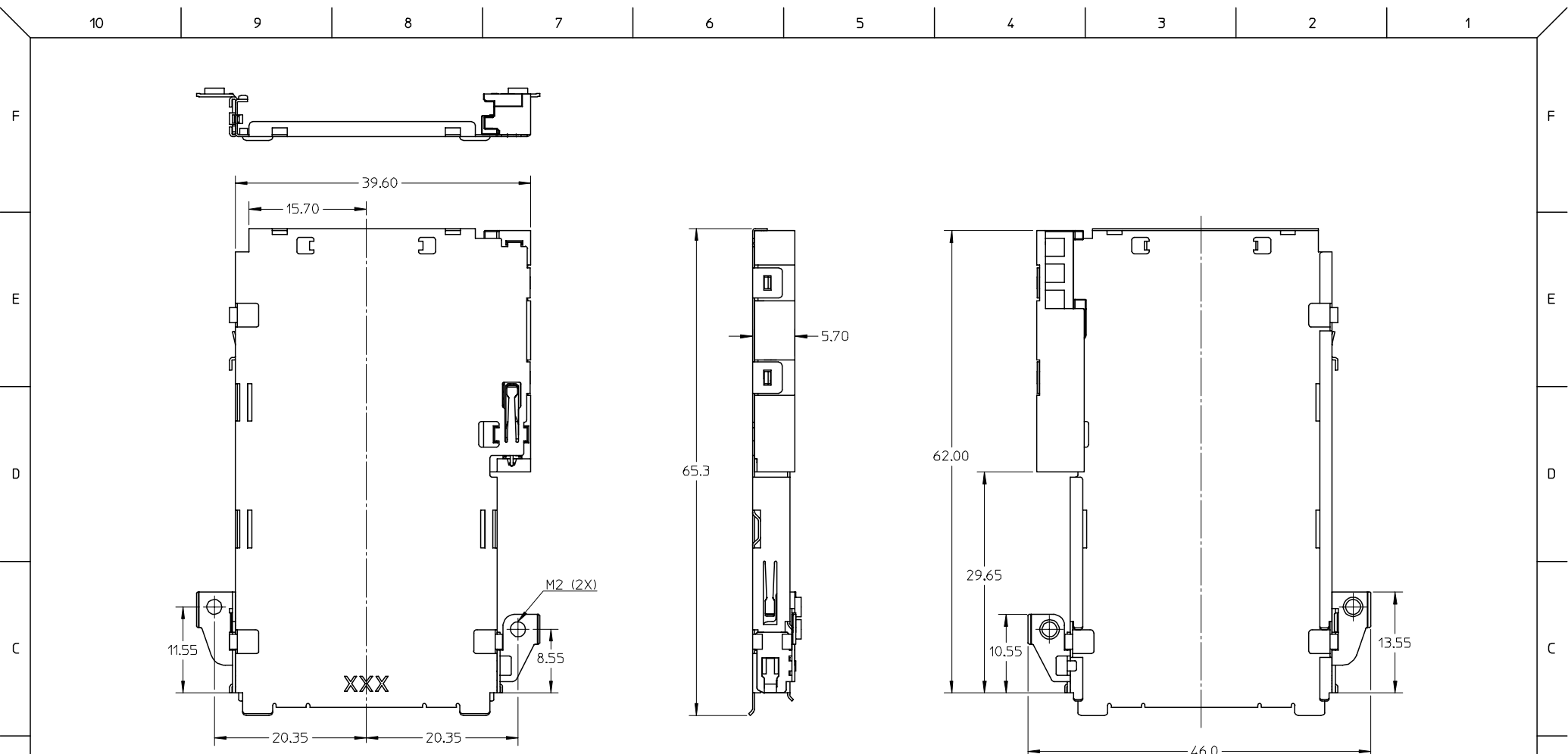
SIZE	THIS DRAWING CONTAINS INFORMATION THAT IS PROPRIETARY TO MOLEX INCORPORATED AND SHOULD NOT BE USED WITHOUT WRITTEN PERMISSION			
A3				

9 8 7 6 5 4 3 2 1



- NOTES:
- CONNECTOR DESIGN BASED ON EXPRESSCARD STANDARD;
 - MATERIAL:
 - HOUSING: LIQUID CRYSTAL POLYMER,
 - TERMINAL: PHOSPHOR BRONZE,
 - FITTING-NAIL: PHOSPHOR BRONZE,
 - PICK AND PLACE COVER: NYLON 46,
 - FINISH:
 - TERMINAL:
 - UNDERPLATING: Ni OVERALL,
 - SELECTIVE GOLD ON CONTACT AREA,
 - THICKNESS: 15 MICRINCH MINIMUM,
 - SELECTIVE PURE TIN ON SOLDER TAIL AREA,
 - THICKNESS: 40-100 MICRINCH,
 - COPLANARITY AT SOLDER TAIL TO BE 0.10 MAXIMUM;
 - APPLICABLE CARD SLOT PLEASE REFER TO SHEET 3
 - PRODUCT SPECIFICATION PLEASE REFER TO PS-47277-001
 - 47322-0002 COMPLIANT TO RoHS DIRECTIVE 2002/95/EC AND ELV DIRECTIVE 2000/53/EC.

EC NO: SH2007-0352 DRWN: OCHEN 2006/11/17 CHKD: HARVEY 2006/11/22 APPR: JNCHEN 2006/11/28	QUALITY SYMBOLS $\nabla = 0$ $\triangle = 0$	GENERAL TOLERANCES (UNLESS SPECIFIED)		DIMENSION STYLE MM ONLY		SCALE NTS	DESIGN UNITS METRIC	THIRD ANGLE PROJECTION	
		4 PLACES \pm --- \pm --- 3 PLACES \pm --- \pm --- 2 PLACES ± 0.25 \pm --- 1 PLACE ± 0.30 \pm --- ANGULAR $\pm 3^\circ$	DRAWN BY R. BIAN DATE 2005/05/20	TITLE EXPRESSCARD 34MM BOTTOM MOUNT PUSH-PUSH TYPE		MOLEX INCORPORATED		SHEET NO. 2 OF 4	
A1	DRAFT WHERE APPLICABLE MUST REMAIN WITHIN DIMENSIONS	MATERIAL NO. 47322-0002		DOCUMENT NO. SD-47322-001		THIS DRAWING CONTAINS INFORMATION THAT IS PROPRIETARY TO MOLEX INCORPORATED AND SHOULD NOT BE USED WITHOUT WRITTEN PERMISSION			



NOTES:

1. CONNECTOR DESIGN BASED ON EXPRESSCARD STANDARD;
2. THIS SLOT CAN ACCEPT ONLY 34MM EXPRESSCARD;
3. WHEN DELIVERING, THE CAM SLIDER MUST KEEP RELEASE STATUS;
4. PRODUCT SPEC PLEASE REFER TO PS-47277-001;
5. MATERIAL:

COIL SPRING: PIANO STEEL
 EJECTOR HOUSING: NYLON 46
 HOUSING SLOT: NYLON 46
 SHELL: STAINLESS STEEL
 CAM PIN: STAINLESS STEEL

6. 47322-0003 COMPLIANT TO RoHS DIRECTIVE 2002/95/EC AND ELV DIRECTIVE 2000/53/EC.

EC NO: SH2007-0352 DRWN: OCHEN 2006/11/17 CHKD: HARVEY 2006/11/22 APPR: JNCHEN 2006/11/28	QUALITY SYMBOLS ▽=0 ▽=0	GENERAL TOLERANCES (UNLESS SPECIFIED)		DIMENSION STYLE MM ONLY		SCALE NTS	DESIGN UNITS METRIC	THIRD ANGLE PROJECTION		
			mm	INCH	DRAWN BY R. BIAN	DATE 2005/05/20	EXPRESSCARD 34MM BOTTOM MOUNT PUSH-PUSH TYPE			
		4 PLACES	± ---	± ---	CHECKED BY HARVEY	DATE 2006/04/18				
		3 PLACES	± ---	± ---	APPROVED BY JENNY	DATE 2006/04/18	MOLEX INCORPORATED			
2 PLACES	± 0.25	± ---	MATERIAL NO. 47322-0003	DOCUMENT NO. SD-47322-001	SHEET NO. 3 OF 4					
1 PLACE	± 0.30	± ---	DRAFT WHERE APPLICABLE MUST REMAIN WITHIN DIMENSIONS		THIS DRAWING CONTAINS INFORMATION THAT IS PROPRIETARY TO MOLEX INCORPORATED AND SHOULD NOT BE USED WITHOUT WRITTEN PERMISSION					
ANGULAR ± 3 °										
A1	REV									

10 9 8 7 6 5 4 3 2 1

F

E

D

C

B

A

F

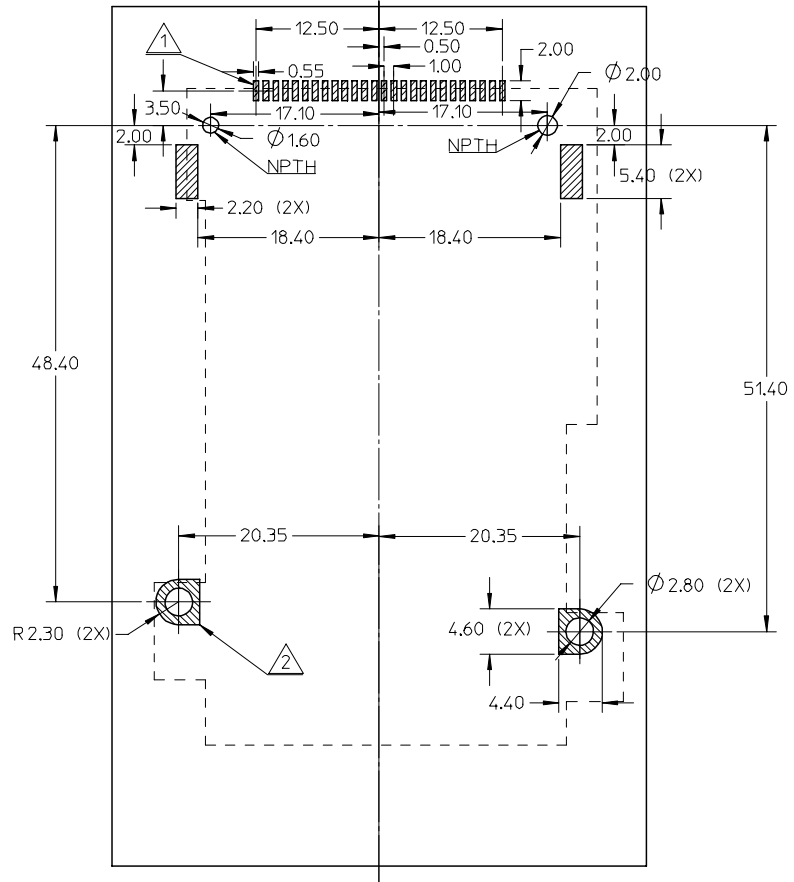
E

D

C

B

A



NOTES:

- 1. SOLDER PAD AREA
- 2. GROUNDING PAD AREA

RECOMMENDED PCB LAYOUT
COMPONENT SIDE

EC NO: SH2007-0352	2006/11/17
DRWN: CHEN	2006/11/22
CHKD: HARVEY	2006/11/22
APPR: JNCHEN	2006/11/28
REV	DESCRIPTION
A1	

QUALITY SYMBOLS	▽=0
	∇=0

GENERAL TOLERANCES (UNLESS SPECIFIED)	mm	INCH
	4 PLACES ± ---	± ---
	3 PLACES ± ---	± ---
	2 PLACES ± 0.05	± ---
	1 PLACE ±	± ---
ANGULAR ± 3 °		
DRAFT WHERE APPLICABLE MUST REMAIN WITHIN DIMENSIONS		

DIMENSION STYLE MM ONLY	
DRAWN BY R. BIAN	DATE 2005/05/20
CHECKED BY HARVEY	DATE 2006/04/18
APPROVED BY JENNY	DATE 2006/04/18
MATERIAL NO. N/A	

SCALE NTS	DESIGN UNITS METRIC	THIRD ANGLE PROJECTION
TITLE EXPRESSCARD 34MM BOTTOM MOUNT PUSH-PUSH TYPE		
MOLEX INCORPORATED		
DOCUMENT NO. SD-47322-001	SHEET NO. 4 OF 4	

9 8 7 6 5 4 3 2 1