

**PLEASE CHECK WWW.MOLEX.COM FOR LATEST PART INFORMATION**

**Part Number:** [0513360610](#)  
**Status:** **Active**  
**Description:** 1.25mm (.049") Pitch Mini Mi II™ System Wire-to-Board IDT Housing, Single Row, 6 Circuits

**Documents:**

[3D Model](#) [Product Specification PS-51336-010 \(PDF\)](#)  
[Drawing \(PDF\)](#) [RoHS Certificate of Compliance \(PDF\)](#)

**General**

Product Family IDT and Solder Connectors  
 Series [51336](#)  
 Crimp Quality Equipment Yes  
 Product Name Mini Mi II™

**Physical**

Circuits (Loaded) 6  
 Color - Resin Natural  
 Durability (mating cycles max) 30  
 Gender Female  
 Glow-Wire Compliant No  
 Lock to Mating Part Yes  
 Material - Metal Phosphor Bronze  
 Material - Plating Mating Tin  
 Material - Plating Termination Tin  
 Material - Resin Polyester  
 Number of Rows 1  
 Packaging Type Bag  
 Panel Mount No  
 Pitch - Mating Interface (in) 0.049 In  
 Pitch - Mating Interface (mm) 1.25 mm  
 Plating min: Mating (µin) 36  
 Plating min: Mating (µm) 0.90  
 Plating min: Termination (µin) 36  
 Plating min: Termination (µm) 0.90  
 Polarized to Mating Part Yes  
 Stackable No  
 Temperature Range - Operating -40°C to +105°C  
 Termination Interface: Style IDT or Pierce  
 Wire Insulation Diameter 0.80-0.90mm (.031-.035")  
 Wire Size AWG 26, 28

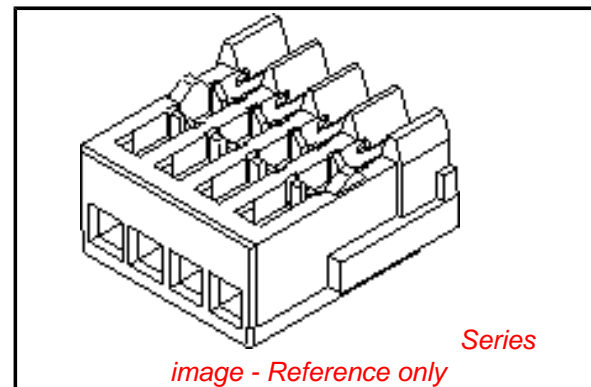
**Electrical**

Current - Maximum per Contact 1.5A  
 Voltage - Maximum 100V

**Material Info**

**Reference - Drawing Numbers**

Product Specification PS-51336-010, RPS-51336-004, RPS-51336-005,  
 RPS-51336-006, RPS-51336-009  
 Sales Drawing SD-51336-001



**EU RoHS**

**ELV and RoHS  
 Compliant**  
**REACH SVHC  
 Contains SVHC: No**  
**Halogen-Free  
 Status  
 Not Reviewed**

**China RoHS**



**Need more information on product  
 environmental compliance?**

Email [productcompliance@molex.com](mailto:productcompliance@molex.com)  
 For a multiple part number RoHS Certificate of  
 Compliance, [click here](#)

Please visit the [Contact Us](#) section for any  
 non-product compliance questions.

**Search Parts in this Series**

[51336Series](#)

**Mates With**

[55447](#) Vertical Header, [55454](#) Right Angle  
 Header

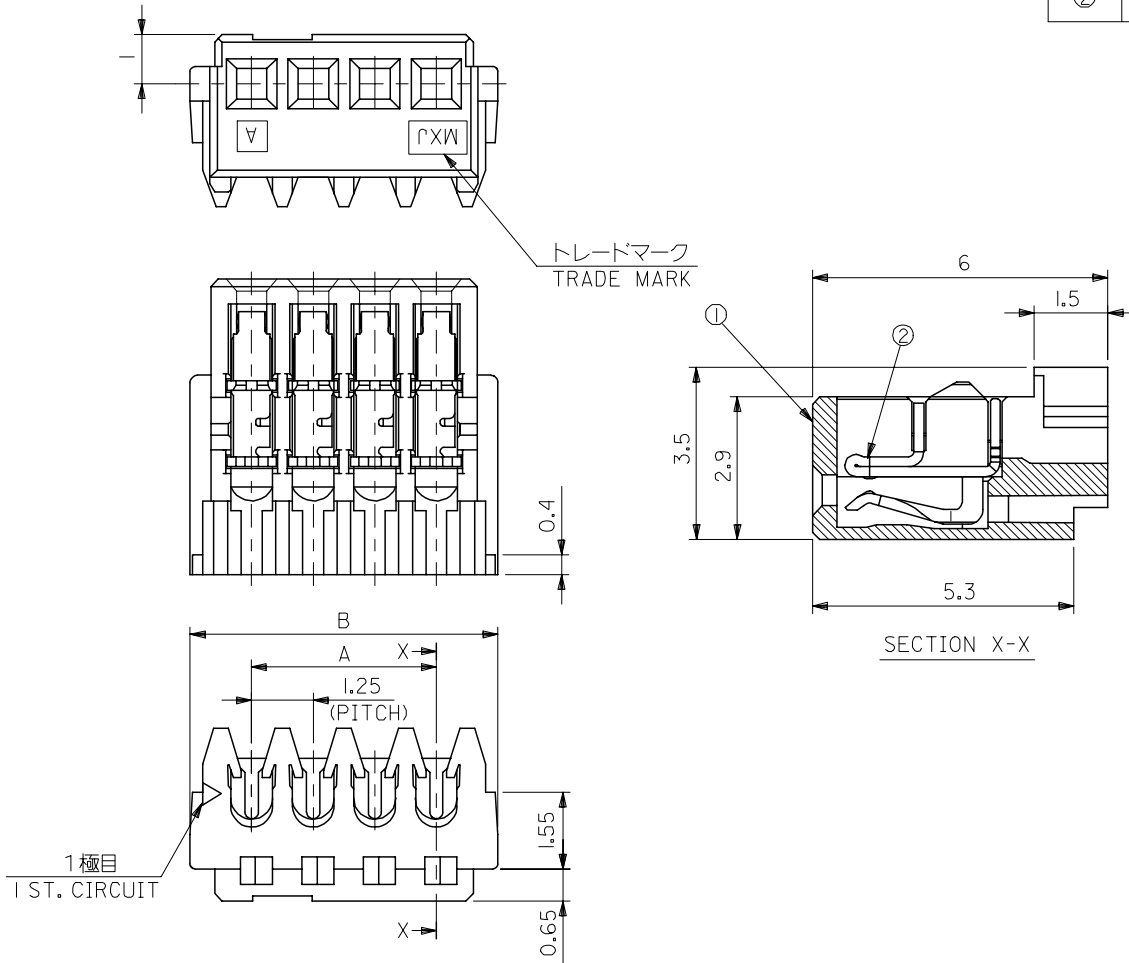
番号 NO.	名称 NAME	原料 MATERIAL	数量 QTY	仕上げ FINISH
①	ハウジング HOUSING	PBT PBT	1	ガラス30%, UL94V-0 G.F.30%
②	ターミナル TERMINAL	りん青銅 (+0.2) PHOSPHOR BRONZE(+0.2)	N	全体錫メッキ PRE-TINNED

注) NOTES

1. 原料および仕上げ: 表参照  
MATERIAL AND FINISH : SEE CHART

△製品番号  
MATERIAL NO.  
51336-\*\*\*

極数 CIRCUIT SIZE(O2 ~ 20)  
色 COLOR 10: 白色 WHITE



極数	CIRCUIT SIZE	製品番号	MODEL NO.
26.25	23.75	20	51336-201*
25	22.5	19	51336-191*
23.75	21.25	18	51336-181*
22.5	20	17	51336-171*
21.25	18.75	16	51336-161*
20	17.5	15	51336-151*
18.75	16.25	14	51336-141*
17.5	15	13	51336-131*
16.25	13.75	12	51336-121*
15	12.5	11	51336-111*
13.75	11.25	10	51336-101*
12.5	10	9	51336-091*
11.25	8.75	8	51336-081*
10	7.5	7	51336-071*
8.75	6.25	6	51336-061*
7.5	5	5	51336-051*
6.25	3.75	4	51336-041*
5	2.5	3	51336-031*
3.75	1.25	2	51336-021*
B	A	極数	51336-***
		CIRCUIT SIZE	MATERIAL NO.
			MODEL NO.

材料 MATERIAL	SEE CHART
仕上げ FINISH	SEE CHART
適用電線範囲 WIRE RANGE	AWG #26, #28
被覆外径 INS. RANGE	φ0.8 - φ0.9

RELEASED	2005/11/25
EC NO: J2006-1346	2005/11/28
DRW: M.NABE I	2005/11/28
CHK: K.TOYODA	2005/11/30
APP: N.UKITA	
REV	0

GENERAL TOLERANCES (UNLESS SPECIFIED)	
10 <sup>0</sup> UNDER	±0.2
10 <sup>0</sup> OVER 30 <sup>0</sup> UNDER	±0.25
30 <sup>0</sup> OVER	±0.3
ANGULAR	±3 °
DRAFT WHERE APPLICABLE MUST REMAIN WITHIN DIMENSIONS	

DIMENSION STYLE		SCALE	DESIGN UNITS	THIRD ANGLE PROJECTION
MM ONLY		10:1	METRIC	
DRAWN BY	DATE	TITLE		
M.NABE I	'05/10/24	MINI M12 REC. ASSY (SN)		
CHECKED BY	DATE	MATERIAL NO.		
K.TOYODA	'05/10/24	SEE CHART		
APPROVED BY	DATE	DOCUMENT NO.		
N.UKITA	'05/10/24	SD-51336-001		
SIZE		SHEET NO.		
A3		1 OF 1		

MATERIAL NO.		SHEET NO.	
SEE CHART		1 OF 1	
THIS DRAWING CONTAINS INFORMATION THAT IS PROPRIETARY TO MOLEX INCORPORATED AND SHOULD NOT BE USED WITHOUT WRITTEN PERMISSION			