

PLEASE CHECK WWW.MOLEX.COM FOR LATEST PART INFORMATION

Part Number: [0483251105](#)
Status: **Active**
Overview: Slimline Serial ATA ODD Connectors
Description: 1.00mm (.039"), 1.27mm (.050") Pitch Slimline Serial ATA Receptacle, Right Angle, Reverse Type, Through Hole, 0.38µm (15µ") Gold (Au), withd Screw and Clip, Lead free

Documents:

[3D Model](#) [Product Specification PS-48321-001 \(PDF\)](#)
[Drawing \(PDF\)](#) [RoHS Certificate of Compliance \(PDF\)](#)

Agency Certification

CSA LR19980
 UL E29179

General

Product Family PCB Receptacles
 Series [48325](#)
 Application Board-to-Board
 Comments Screw and Clip version
 Overview [Slimline Serial ATA ODD Connectors](#)
 Product Name Serial ATA, Slimline Serial ATA

Physical

Circuits (Loaded) 13
 Circuits (maximum) 13
 Color - Resin Black
 Durability (mating cycles max) 500
 Flammability 94V-0
 Glow-Wire Compliant No
 Guide to Mating Part Yes
 Keying to Mating Part Yes
 Lock to Mating Part No
 Material - Metal Copper Alloy
 Material - Plating Mating Gold
 Material - Plating Termination Tin
 Material - Resin High Temperature Thermoplastic
 Number of Rows 1
 Orientation Right Angle
 PCB Locator Yes
 PCB Retention Yes
 PCB Thickness Recommended (in) 0.047 In
 PCB Thickness Recommended (mm) 1.20 mm
 Packaging Type Embossed Tape on Reel
 Pitch - Mating Interface (in) 0.039 In, 0.050 In
 Pitch - Mating Interface (mm) 1.00 mm, 1.27 mm
 Pitch - Term. Interface (in) 0.039 In, 0.050 In
 Pitch - Term. Interface (mm) 1.00 mm, 1.27 mm
 Plating min: Mating (µin) 15
 Plating min: Mating (µm) 0.38
 Plating min: Termination (µin) 100
 Plating min: Termination (µm) 2.54
 Polarized to Mating Part Yes
 Polarized to PCB Yes
 Robotic Placement Pick and Place Cap
 Stackable No

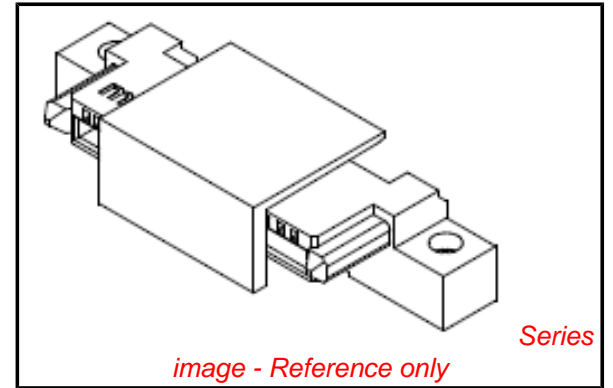


image - Reference only

EU RoHS

**ELV and RoHS
 Compliant**
**REACH SVHC
 Not Reviewed**
**Halogen-Free
 Status
 Not Reviewed**

China RoHS



**Need more information on product
 environmental compliance?**

Email productcompliance@molex.com
 For a multiple part number RoHS Certificate of Compliance, [click here](#)

Please visit the [Contact Us](#) section for any non-product compliance questions.

Search Parts in this Series

[48325Series](#)

Mates With

[473001xxx Slimline Serial ATA Plugs](#)

Surface Mount Compatible (SMC)	Yes
Temperature Range - Operating	-40°C to +85°C
Termination Interface: Style	Through Hole

Electrical

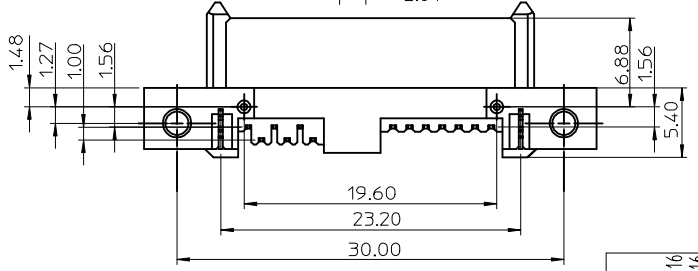
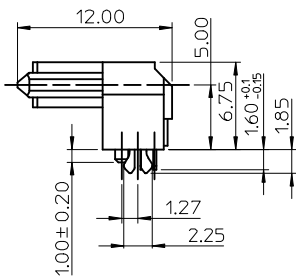
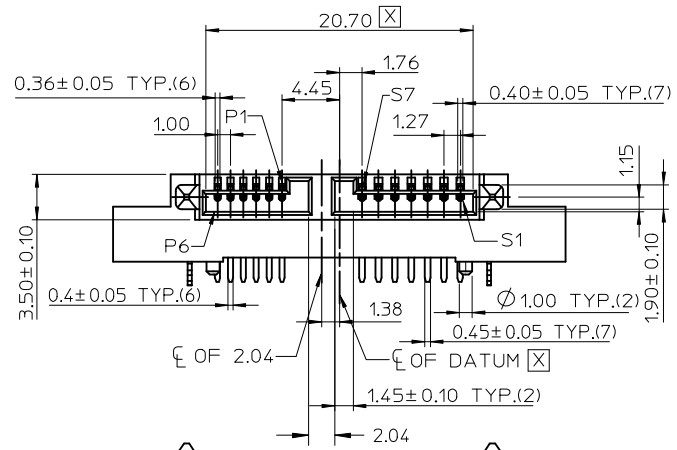
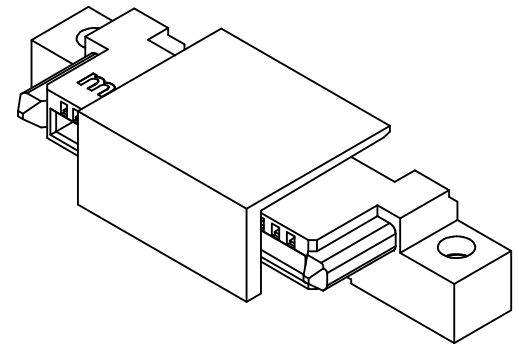
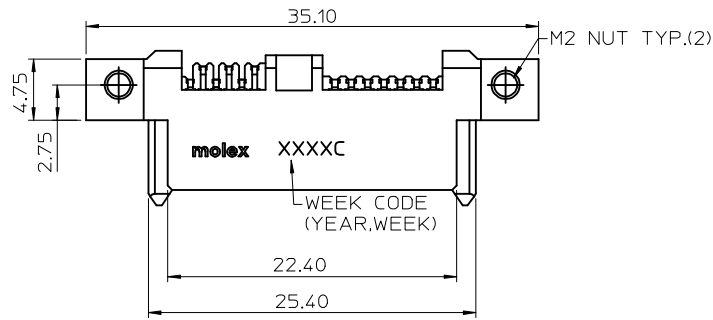
Current - Maximum per Contact	1A
Grounding to PCB	Yes
Voltage - Maximum	15V (RMS)

Material Info**Reference - Drawing Numbers**

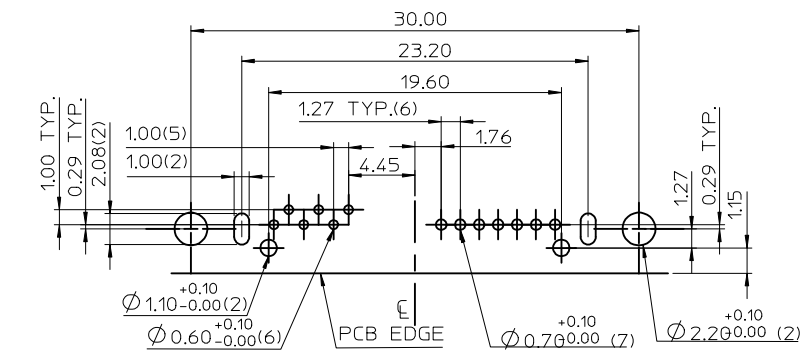
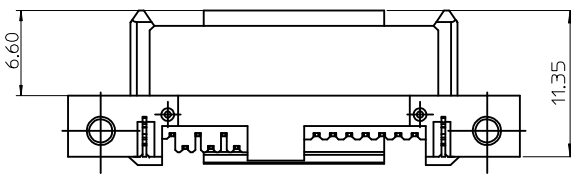
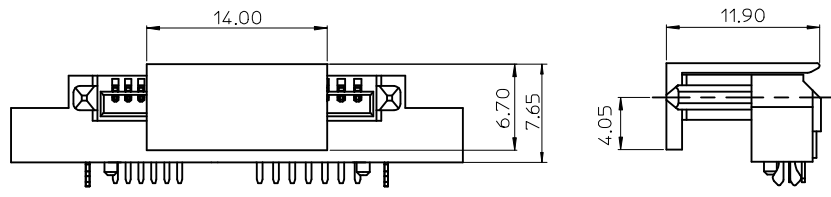
Product Specification	PS-48321-001
Sales Drawing	SD-48325-003

This document was generated on 04/14/2010

PLEASE CHECK WWW.MOLEX.COM FOR LATEST PART INFORMATION



REVISED IEC NO: SH2009-0407 DRW: LZW CHK: DMZ APPR: HWW	DESCRIPTION 2008/12/16 2008/12/16 2008/12/23	QUALITY SYMBOLS	GENERAL TOLERANCES (UNLESS SPECIFIED)	DIMENSION STYLE	SCALE	DESIGN UNITS	THIRD ANGLE PROJECTION	
		$\nabla = 0$ $\nabla C = 0$	mm INCH 4 PLACES ± --- ± --- 3 PLACES ± --- ± --- 2 PLACES ± 0.25 ± --- 1 PLACE ± 0.25 ± --- ANGULAR ± 3 °	MM ONLY	1:1	METRIC		
			DRAFT WHERE APPLICABLE MUST REMAIN WITHIN DIMENSIONS	DRAWN BY: LINDA CHECKED BY: DMZHANG02 APPROVED BY: HWWANG MATERIAL NO. SEE SHEET 2	DATE: 2008/09/10 DATE: 2008/09/10 DATE: 2008/09/10	TITLE: SLIMLINE SATA RECEPTACLE REVERSE RIGHT ANGLE WITH SCREW & CLIP MOLEX INCORPORATED DOCUMENT NO. SD-48325-003		
				SIZE: A3 THIS DRAWING CONTAINS INFORMATION THAT IS PROPRIETARY TO MOLEX INCORPORATED AND SHOULD NOT BE USED WITHOUT WRITTEN PERMISSION	SHEET NO. 1 OF 2			



RECOMMENDED PC BOARD LAYOUT
TOLERANCE: ±0.05mm(TOP VIEW)

P/N	PLATING OPTIONS	WITHSTANDING MFG TEST
48325-1104	30 MICROINCH	YES
48325-1105	15 MICROINCH	NO
48325-1106	GOLD FLASH	NO

- NOTES:
- MATERIAL:
HOUSING & CAP: LIQUID CRYSTAL POLYMER, GLASS FIBER FILLED, UL94V-0, BLACK COLOR.
TERMINAL: COPPER ALLOY.
NUT: ZINC ALLOY
CLIP: COPPER ALLOY.
 - PLATING:
TERMINAL:
CONTACT AREA: SEE TABLE
SOLDER TAIL: MATTE TIN PLATED, THICKNESS=100 MICROINCH MIN/2.54 MICROMETER MIN.
UNDER PLATE: NICKEL(Ni) PLATED OVERALL.
NUT: NICKEL(Ni) PLATED, THICKNESS=50 MICROINCH MIN/1.27 MICROMETER MIN.
CLIP: TIN(Sn) PLATED, THICKNESS=100 MICROINCH MIN/2.54 MICROMETER MIN.
 - MATES WITH: SERIES 47300.
 - RECOMMENDED PCB THICKNESS: 1.20 ± 0.05mm.
 - PRODUCT SPECIFICATION REFER TO PS-48321-001.
 - TEST SUMMARY REFER TO TS-48325-001.
 - PACKAGING SPECIFICATION REFER TO PK-48325-002.
 - LEAD FREE & RoHS COMPLIANT PRODUCT.

REVISED EC NO: SH2009-0407 DRWNL:WZHOU 2008/12/16 CHKD:DMZHANG02 2008/12/16 APPR:HWANG 2008/12/23	QUALITY SYMBOLS	GENERAL TOLERANCES (UNLESS SPECIFIED)	DIMENSION STYLE	SCALE	DESIGN UNITS	THIRD ANGLE PROJECTION
	▽=0 C=0	mm INCH	MM ONLY	1:1	METRIC	
		4 PLACES ± --- ± ---	DRAWN BY DATE			TITLE
		3 PLACES ± --- ± ---	LINDA 2008/09/10			SLIMLINE SATA RECEPTACLE REVERSE RIGHT ANGLE WITH SCREW & CLIP
	2 PLACES ± 0.25 ± ---	CHECKED BY DATE				
	1 PLACE ± 0.25 ± ---	DMZHANG02 2008/09/10				
	ANGULAR ± 3 °	APPROVED BY DATE				
		HWANG 2008/09/10				
		MATERIAL NO.				
		SEE TABLE				
		DRAFT WHERE APPLICABLE MUST REMAIN WITHIN DIMENSIONS	SIZE A3	THIS DRAWING CONTAINS INFORMATION THAT IS PROPRIETARY TO MOLEX INCORPORATED AND SHOULD NOT BE USED WITHOUT WRITTEN PERMISSION		