

PLEASE CHECK WWW.MOLEX.COM FOR LATEST PART INFORMATION

Part Number: [0476312000](#)
Status: **Active**
Overview: high definition multimedia interface hdmi
Description: 0.50mm (.020") Pitch HDMI* Receptacle, Vertical, SMT, 0.38µm (15µ") Gold (Au) Plating, with side Flanges and Pick-and-Place Cover, 19 Circuits, Tape on Reel Packaging, Lead free

Documents:

[3D Model](#) [Product Specification PS-47152-001 \(PDF\)](#)
[Drawing \(PDF\)](#) [RoHS Certificate of Compliance \(PDF\)](#)

General

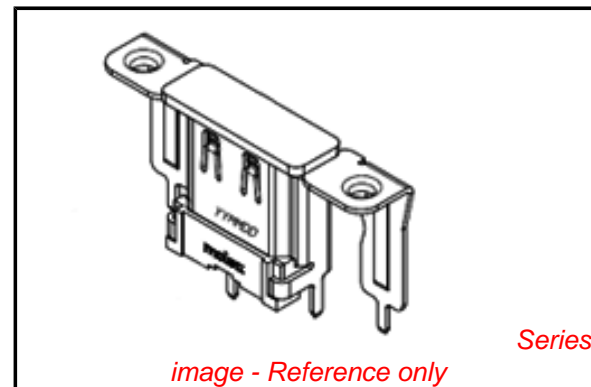
Product Family	I/O Connectors
Series	47631
Application	Wire-to-Board
Component Type	Receptacle
Overview	high definition multimedia interface hdmi
Product Name	HDMI
Type	N/A

Physical

Boot Color	N/A
Circuits (Loaded)	19
Circuits (maximum)	19
Color - Resin	Black
Gender	Male
Keying to Mating Part	Yes
Lock to Mating Part	Yes
Material - Metal	Copper Alloy
Material - Plating Mating	Gold
Material - Plating Termination	Tin
Material - Resin	High Temperature Thermoplastic
Number of Rows	2
Orientation	Vertical
PCB Locator	Yes
PCB Retention	Yes
Packaging Type	Embossed Tape on Reel
Panel Mount	With Flange
Pitch - Mating Interface (in)	0.020 In
Pitch - Mating Interface (mm)	0.50 mm
Pitch - Term. Interface (in)	0.020 In
Pitch - Term. Interface (mm)	0.50 mm
Plating min: Mating (µin)	15
Plating min: Mating (µm)	0.38
Plating min: Termination (µin)	39
Plating min: Termination (µm)	1
Polarized to Mating Part	Yes
Polarized to PCB	Yes
Ports	1
Temperature Range - Operating	-20°C to +85°C
Termination Interface: Style	Surface Mount
Waterproof / Dustproof	No
Wire Size AWG	N/A

Electrical

Current - Maximum per Contact	0.5A
-------------------------------	------



EU RoHS

**ELV and RoHS
Compliant**
**REACH SVHC
Not Reviewed**
**Halogen-Free
Status
Not Reviewed**

China RoHS



**Need more information on product
environmental compliance?**

Email productcompliance@molex.com
 For a multiple part number RoHS Certificate of Compliance, [click here](#)

Please visit the [Contact Us](#) section for any non-product compliance questions.

Search Parts in this Series
[47631Series](#)

Voltage - Maximum

40V DC

Material Info

Reference - Drawing Numbers

Packaging Specification

PK-47631-001

Product Specification

PS-47152-001

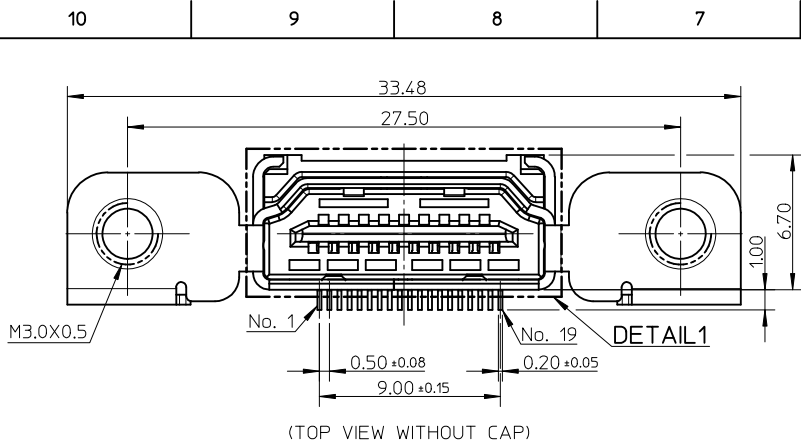
Sales Drawing

SD-47631-100

* High Definition Multimedia Interface and HDMI are trademarks of HDMI Licensing, LLC.

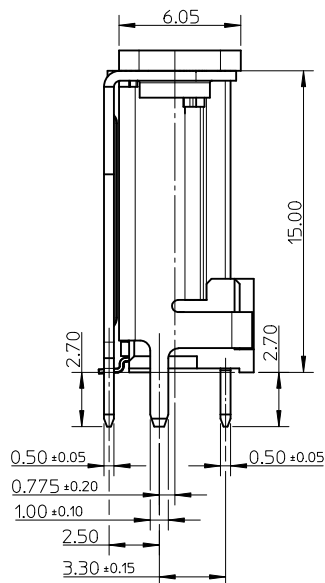
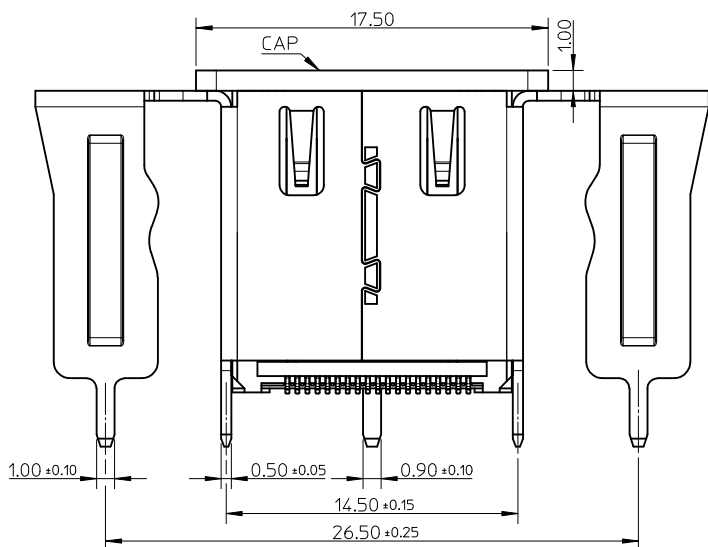
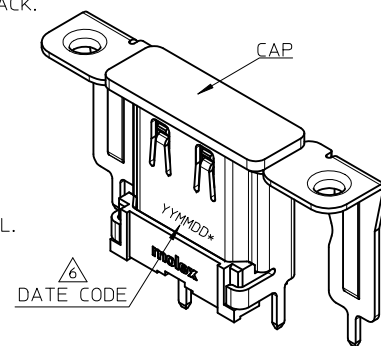
This document was generated on 05/19/2010

PLEASE CHECK WWW.MOLEX.COM FOR LATEST PART INFORMATION

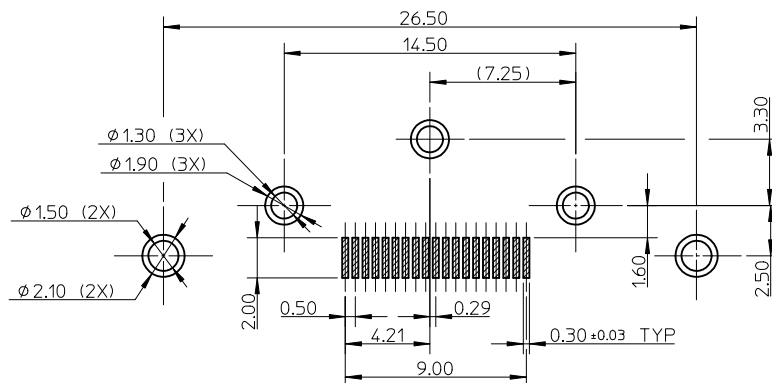


NOTES:

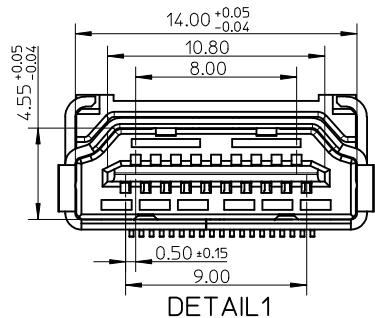
- MATERIAL:
HOUSING/CAP: HIGH TEMPERATURE THERMAL PLASTIC. COLOR: BLACK.
SHELL: COPPER ALLOY.
TERMINAL: COPPER ALLOY.
 - PLATING:
TERMINAL:
CONTACT AREA: SEE TABLE.
SOLDER AREA: 1 MICROMETER MIN. TIN-BISMUTH ALLOY PLATED.
UNDER PLATE: 1 MICROMETER MIN. NICKEL.
SHELL: 1.27 MICROMETER MIN. SOLDERABLE NICKEL PLATE OVERALL.
 - COPLANARITY: 0.10mm MAX.
 - PRODUCT SPECIFICATION REFER TO PS-47152-001.
 - PACKAGE SPECIFICATION: SEE TABLE.
- △ DATE CODE: YY: YEAR, MM: MONTH, DD: DAY;
*: MANUFACTURE FACTORY, C=CHENGDU, D=DONGGUAN.
7. PRODUCT COMPLIANT TO RoHS DIRECTIVE 2002/95/EC AND ELV DIRECTIVE 2000/53/EC.



P/N	CONTACT AREA PLATING	PACKAGE
47631-2000	0.38 MICROMETER MIN. GOLD PLATING	TAPE REEL, PK-47631-001
47631-3000	GOLD FLASH	
47631-1000	0.76 MICROMETER MIN. GOLD PLATING	TRAY, PK-47631-002
47631-2001	0.38 MICROMETER MIN. GOLD PLATING	
47631-3001	GOLD FLASH	



RECOMMENDED PCB LAYOUT (CONNECTOR SIDE)
GENERAL TOLERANCE: ±0.05, THICKNESS=1.6MM



REVISED	EC NO: SH2010-0165	DRWN: XQZHANG	2009/11/03	CHKD: GLLI	2009/11/03	APPR: XJSONG	2010/01/28	DESCRIPTION	QUALITY SYMBOLS	GENERAL TOLERANCES (UNLESS SPECIFIED)		DIMENSION STYLE		SCALE	DESIGN UNITS	THIRD ANGLE PROJECTION	
										mm	INCH	MM ONLY	DATE	4:1	METRIC	DATE	TITLE
									▽ _A =0	4 PLACES	± ---	± ---	DRAWN BY	DATE	HDMI RECEPTACLE VERTICAL SMT TYPE		
									▽ _B =0	3 PLACES	± ---	± ---	CHECKED BY	DATE	MOLEX INCORPORATED		
									▽ _C =0	2 PLACES	± 0.20	± ---	APPROVED BY	DATE	SD-47631-100		
										1 PLACE	± 0.30	± ---	XJSONG	2010/01/26	1 OF 1		
										ANGULAR ± 1 °		MATERIAL NO.		DOCUMENT NO.		SHEET NO.	
										DRAFT WHERE APPLICABLE MUST REMAIN WITHIN DIMENSIONS		SEE TABLE		SD-47631-100		1 OF 1	
										THIS DRAWING CONTAINS INFORMATION THAT IS PROPRIETARY TO MOLEX INCORPORATED AND SHOULD NOT BE USED WITHOUT WRITTEN PERMISSION							