

PLEASE CHECK WWW.MOLEX.COM FOR LATEST PART INFORMATION

Part Number: [1200795031](#)
Status: **Active**
Overview: [ultralock connection system](#)
Description: Micro-Change® (M12) Ultra-Lock® Single-Ended Cordset, Female - Pigtail, Straight, 8 Poles, Length 6.0m (19.68'), Yellow

Documents:

[Drawing \(PDF\)](#) [RoHS Certificate of Compliance \(PDF\)](#)

General

Product Family	Industrial Cordsets
Series	120079
Connector End A	Ultra-Lock® (M12)
Connector End B	Pigtail
IP Rating	IP69K
Overview	ultralock connection system
Product Name	Micro-Change® (M12), Ultra-Lock® (M12)
Type	Single Ended

Physical

Cable Diameter	6.60mm (.260")
Cable Length	6.0m (19.68')
Color - Cable Jacket	Yellow
Coupling Style	Push to Lock
Gender	Female-Pigtail
Keyway	None
LED Indicator	No
Material - Cable Jacket	PUR
Material - Connector Body	PUR
Material - Contact	Brass
Material - Coupling Nut	Nickel-plated Brass
Material - O-Ring	Viton
Material - Plating Mating	Gold over Nickel
Orientation	Straight
Poles	8
Temperature Range - Operating	-25°C to +90°C
Wire Size AWG	24
Wire/Cable Type	UL 20327

Electrical

Current - Maximum per Contact	4A
Voltage - Maximum	30V AC/DC

Material Info

Old Part Number	W08S00P19M060
-----------------	---------------

Reference - Drawing Numbers

Sales Drawing	SD-120083-021
---------------	---------------

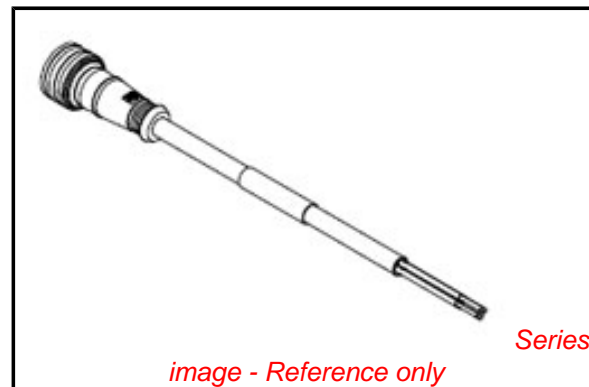


image - Reference only

EU RoHS

RoHS Compliant by Exemption
REACH SVHC Not Reviewed
Halogen-Free Status Not Reviewed

China RoHS



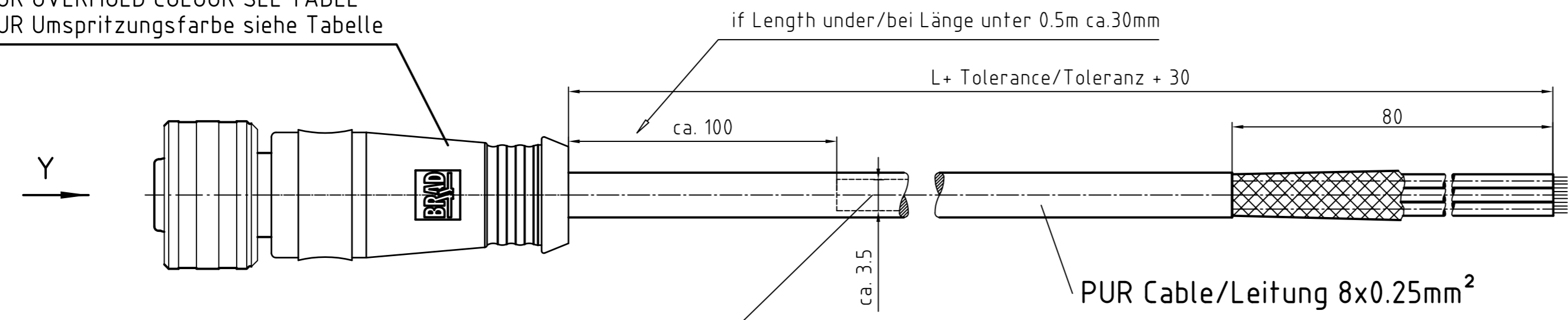
Need more information on product environmental compliance?

Email productcompliance@molex.com
 For a multiple part number RoHS Certificate of Compliance, [click here](#)

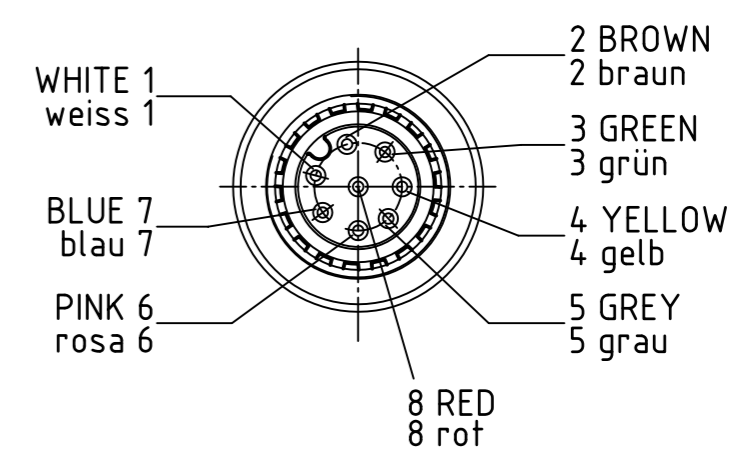
Please visit the [Contact Us](#) section for any non-product compliance questions.

Search Parts in this Series
[120079Series](#)

PUR OVERMOLD COLOUR SEE TABLE
PUR Umspritzungsfarbe siehe Tabelle



VIEW/Ansicht Y
FEMALE CABLE CONNECTOR/Kabeldose
8-Pol



CABLE PRINTING:
Kabelbedruckung: Woodhead Connectivity GmbH "Engineering-Nr."

X..
PROD. DATE AS DEFINED IN
Fertigungsdatum gemäß
WN 00001

SAP-Nummer	Engineering-Nr.	Umspritzungsfarbe	Länge L	Toleranzen
SAP-Number	Engineering-No.	Overmold Colour	Length L	Tolerances
1200795029	W08S00P19M020	gelb / yellow	2M	± 25 mm
1200835124	W08S00P19M030	gelb / yellow	3M	
1202010042	W08S00P19M040	gelb / yellow	4M	
1200795030	W08S00P19M050	gelb / yellow	5M	
1200795031	W08S00P19M060	gelb / yellow	6M	± 30 mm
1200795032	W08S00P19M100	gelb / yellow	10M	
1200835137	W08S00P19M030G	schwarz / black	3M	± 25 mm
1200835138	W08S00P19M050G	schwarz / black	5M	
1200835151	W08S00P19M100G	schwarz / black	10M	± 30 mm

(...) DIM FOR INFORMATION
(...) Informationsmaß

DESCRIPTION EC NO: WEU2010-0123 9/25/09 DRWN: BBRAUCH CHKD: RE APPR: REISSNER 2009/11/23 REV	QUALITY SYMBOLS	GENERAL TOLERANCES (UNLESS SPECIFIED)	DIMENSION STYLE	SCALE	DESIGN UNITS	FIRST ANGLE PROJECTION
	▼ = 0 ▽ = 0	mm INCH 4 PLACES ±---- ±---- 3 PLACES ±---- ±---- 2 PLACES ±0.05 ±---- 1 PLACE ±0.1 ±---- ANGULAR ± ---- °	MM	2:1	METRIC	
	DRAFT WHERE APPLICABLE MUST REMAIN WITHIN DIMENSIONS	DRAWN BY: BB DATE: 2009/09/25 CHECKED BY: RE DATE: 2009/10/01 APPROVED BY: REISSNER DATE: 2009/11/20 MATERIAL NO.	M12-AU-8P-FE-STR-8/25PURSH-XM ---- MOLEX INCORPORATED DOCUMENT NO.	SHEET NO. 1 OF 1		
	SIZE A2	THIS DRAWING CONTAINS INFORMATION THAT IS PROPRIETARY TO MOLEX INCORPORATED AND SHOULD NOT BE USED WITHOUT WRITTEN PERMISSION				