

**PLEASE CHECK WWW.MOLEX.COM FOR LATEST PART INFORMATION**

**Part Number:** [0940304081](#)  
**Status:** **Active**  
**Description:** Quick Disconnect, Male for 1.00-2.50mm<sup>2</sup> (10-18 AWG) Wire, Accepts 6.35mm (.250") x 0.81mm (.032") Tab

**Documents:**

[Drawing \(PDF\)](#) [RoHS Certificate of Compliance \(PDF\)](#)

**General**

Product Family	Quick Disconnects
Series	<a href="#">94030</a>
Crimp Quality Equipment	Yes
Product Name	N/A
Type	Quick Disconnect

**Physical**

Barrel Type	Open
Gender	Male
Glow-Wire Compliant	No
Insulation	None
Lock to Mating Part	None
Material - Metal	Brass
Material - Plating Mating	Tin
Material - Plating Termination	Tin
Orientation	Straight
Packaging Type	Reel
Plating min: Mating (µin)	80
Plating min: Mating (µm)	2
Plating min: Termination (µin)	80
Plating min: Termination (µm)	2
Polarized to Mating Part	Yes
Tab Thickness	0.81mm (.032")
Tab Width	6.35mm (.250")
Temperature Range - Operating	-40°C to +80°C
Termination Interface: Style	Crimp or Compression
Wire Size AWG	10, 14, 16, 18, 24
Wire Size mm <sup>2</sup>	1.00 - 2.50

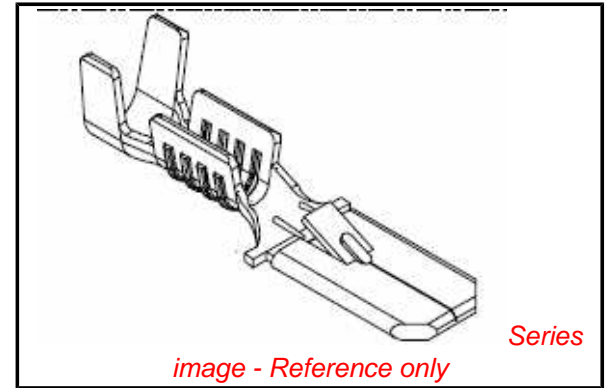
**Electrical**

Voltage - Maximum	250V
-------------------	------

**Material Info**

**Reference - Drawing Numbers**

Sales Drawing	94030-408X-SD
---------------	---------------



**EU RoHS**

**ELV and RoHS  
Compliant**  
**REACH SVHC  
Contains SVHC: No  
Halogen-Free  
Status  
Not Reviewed**

**China RoHS**



**Need more information on product  
environmental compliance?**

Email [productcompliance@molex.com](mailto:productcompliance@molex.com)  
 For a multiple part number RoHS Certificate of Compliance, [click here](#)

Please visit the [Contact Us](#) section for any non-product compliance questions.

**Search Parts in this Series**

[94030Series](#)

**Use With**

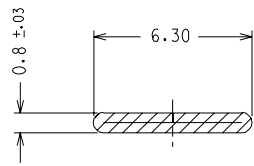
Quick Disconnect Housing [94090](#) , [94502](#)

**Application Tooling | FAQ**

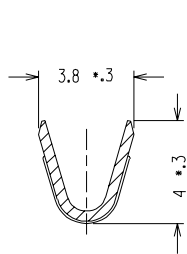
*Tooling specifications and manuals are found by selecting the products below. Crimp Height Specifications are then contained in the Application Tooling Specification document.*

**Global**

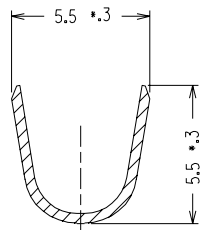
Description	Product #
Mini-Mac™ Applicator	<a href="#">0638014100</a>



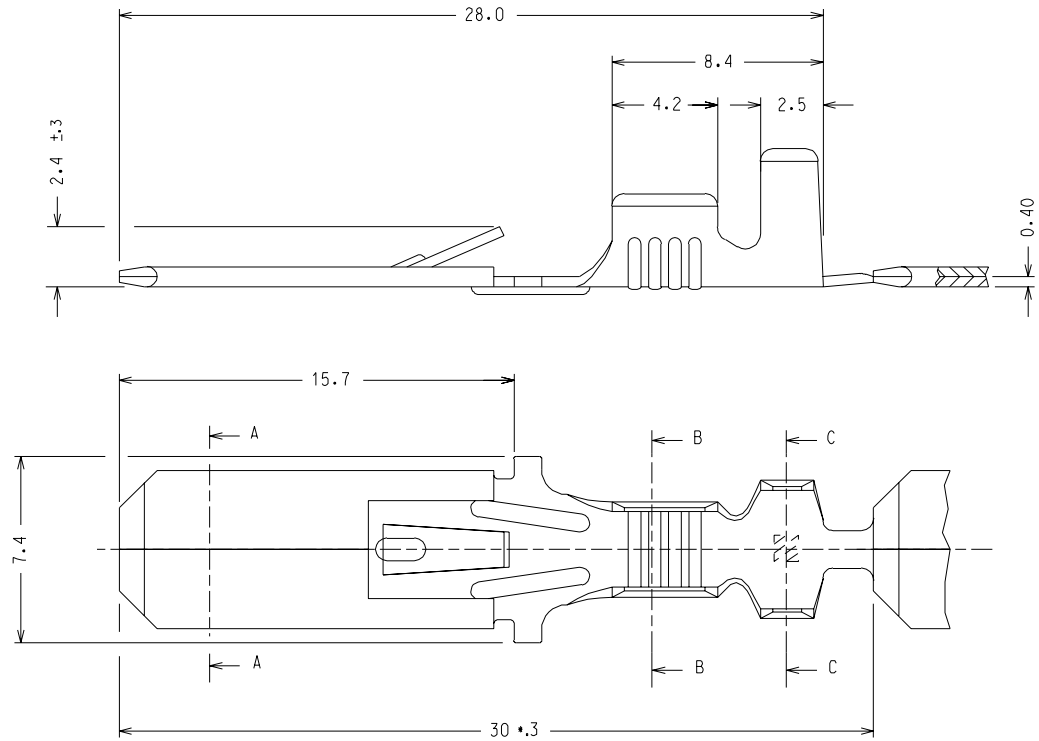
SECTION A - A



SECTION B - B



SECTION C - C



CODICE P/N	MATERIALE MATERIAL	FINITURA PLATING
94030-4080	OTTONE	GREGGIO/ PLAIN
94030-4081	BRASS	STAGNATO/ TIN
94030-4082	BRONZO FOSF.	GREGGIO/ PLAIN
94030-4083	PHOSPH. BRONZE	STAGNATO/ TIN

A I ECN Z3-169 25-11-93 C.F. Aggiunto nervatura su dentino	A ECN Z0-004 C.F. 10 - 01 - 90	LTR REVISIONS	DIMENSIONS SHOWN (METRIC) INCH		DRWG BY Gottardo	REVISE ONLY ON CAD SYSTEM		SH.	REV.
			UNLESS OTHERWISE SPECIFIED TOLERANCES ANGULAR ± 2°			CAD/CAM FILENAME	THIS DRAWING CONTAINS INFORMATION THAT IS PROPRIETARY TO CAD FILE 030408XS MOLEX INC AND SHOULD NOT BE USED WITHOUT WRITTEN PERMISSION		
			3 PLACE ±		CHK'D BY	TITLE TERMINALE MASCHIO DA 6.3 x 0.8 MALE TERMINAL 6.3 x 0.8			
			2 PLACE ±	± 0.1	APP'D BY	SEZ. RAME/ WIRE RANGE: 1.0-2.5 mm <sup>2</sup> — ISOLANTE/INS. RANGE: Ø 2.7-4.3 mm			
			1 PLACE	± 0.2	Previato	MOLEX MOLEX INCORPORATED		SHEET NO. DATE 1 / 1 09-01-90	
			DESIGN DIMENSION (PRIMARY)	<input checked="" type="checkbox"/> (MM) <input type="checkbox"/> (IN)	SCALE	PART NO. VEDI TABELLA SEE CHART		DWG NO. 94030-408X SD	
			EQUIVALENT DIMENSION (SECONDARY)	<input type="checkbox"/> (MM) <input type="checkbox"/> (IN)	5 : 1	SIZE B			