

PLEASE CHECK WWW.MOLEX.COM FOR LATEST PART INFORMATION

Part Number: [0855065002](#)
Status: **Active**
Overview: [modular_plugs_jacks](#)
Description: Modular Jack, Vertical, 8/8, Cat5E, Without Ribs

Documents:

[3D Model](#) [Product Specification PS-85506-001 \(PDF\)](#)
[Drawing \(PDF\)](#) [RoHS Certificate of Compliance \(PDF\)](#)

Agency Certification

UL E107635

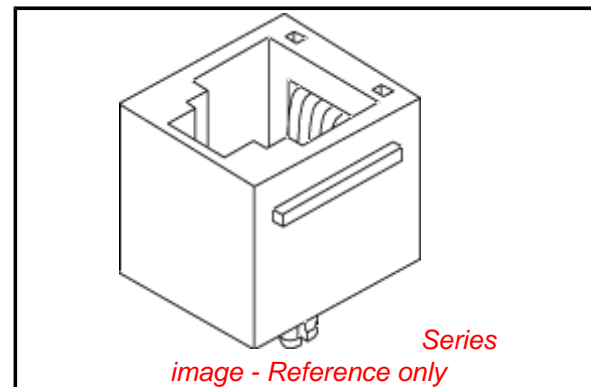
General

Product Family Modular Jacks/Plugs
 Series [85506](#)
 Component Type PCB Jack
 Magnetic No
 Overview [modular_plugs_jacks](#)
 Performance Category 5e
 Power over Ethernet (PoE) N/A
 Product Name RJ45

Physical

Boot Color N/A
 Color - Resin Black
 Durability (mating cycles max) 500
 Flammability 94V-0
 Inverted / Top Latch No
 Lightpipes/LEDs None
 Material - Metal Phosphor Bronze
 Material - Plating Mating Gold
 Material - Plating Termination Tin
 Material - Resin High Temperature Thermoplastic
 Orientation Vertical (Top Entry)
 PCB Locator Yes
 PCB Retention Yes
 PCB Thickness Recommended (in) 0.062 In
 PCB Thickness Recommended (mm) 1.57 mm
 Packaging Type Tray
 Pitch - Mating Interface (in) 0.050 In
 Pitch - Mating Interface (mm) 1.27 mm
 Pitch - Term. Interface (in) 0.050 In
 Pitch - Term. Interface (mm) 1.27 mm
 Plating min: Mating (µin) 50.8
 Plating min: Mating (µm) 1.27
 Plating min: Termination (µin) 76
 Plating min: Termination (µm) 1.9
 Ports 1
 Positions / Loaded Contacts 8/8
 Surface Mount Compatible (SMC) No
 Temperature Range - Operating -40°C to +80°C
 Termination Interface: Style Through Hole
 Waterproof / Dustproof No
 Wire/Cable Type N/A

Electrical



EU RoHS

ELV and RoHS Compliant
REACH SVHC Contains SVHC: No
Halogen-Free Status

China RoHS



Need more information on product environmental compliance?

Email productcompliance@molex.com
 For a multiple part number RoHS Certificate of Compliance, [click here](#)

Please visit the [Contact Us](#) section for any non-product compliance questions.

Search Parts in this Series

[85506Series](#)

Mates With

[90075 FCC 68 Plugs](#)

Current - Maximum per Contact	1.5A
Shielded	No
Voltage - Maximum	125V

Material Info

Reference - Drawing Numbers

Packaging Specification	PK-95022
Product Specification	PS-85506-001
Sales Drawing	SD-85506-501

This document was generated on 06/07/2010

PLEASE CHECK WWW.MOLEX.COM FOR LATEST PART INFORMATION

NOTES :

I- MATERIAL:

-HOUSING: LCP FIBER GLASS FILLED UL 94-V0
COLOR BLACK.

-TERMINAL: PHOSPHOR BRONZE.

PLATING :

POST PLATE 0.00127-0.00152/.000050-.000060 GOLD IN CONTACT AREA , 0.00190/.000075 MIN. PURE TIN IN TAIL AREA BOTH OVER 0.00127/.000050 MIN NICKEL OVERALL.

2- JACK FOR MATING WITH F.C.C. 68 PLUGS (90075 MOLEX SERIES).

3- PRODUCT SPECIFICATION PS-85506-001

4- PACKAGING SPECIFICATION PK-95022 (TRAY PACKAGING).

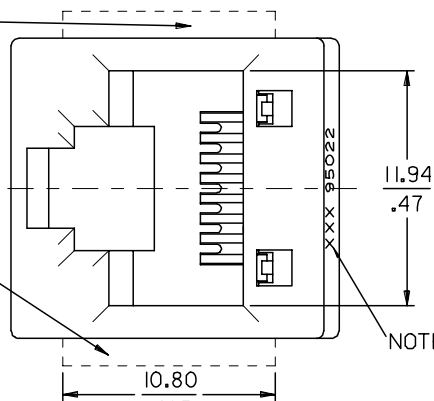
5- EXCEEDS CATEGORY 5E PERFORMANCE.

6- PC BOARD THICKNESS: 1.57/.062

7- MANUFACTURING I.D. CAN BE MG, MXF OR MXI.

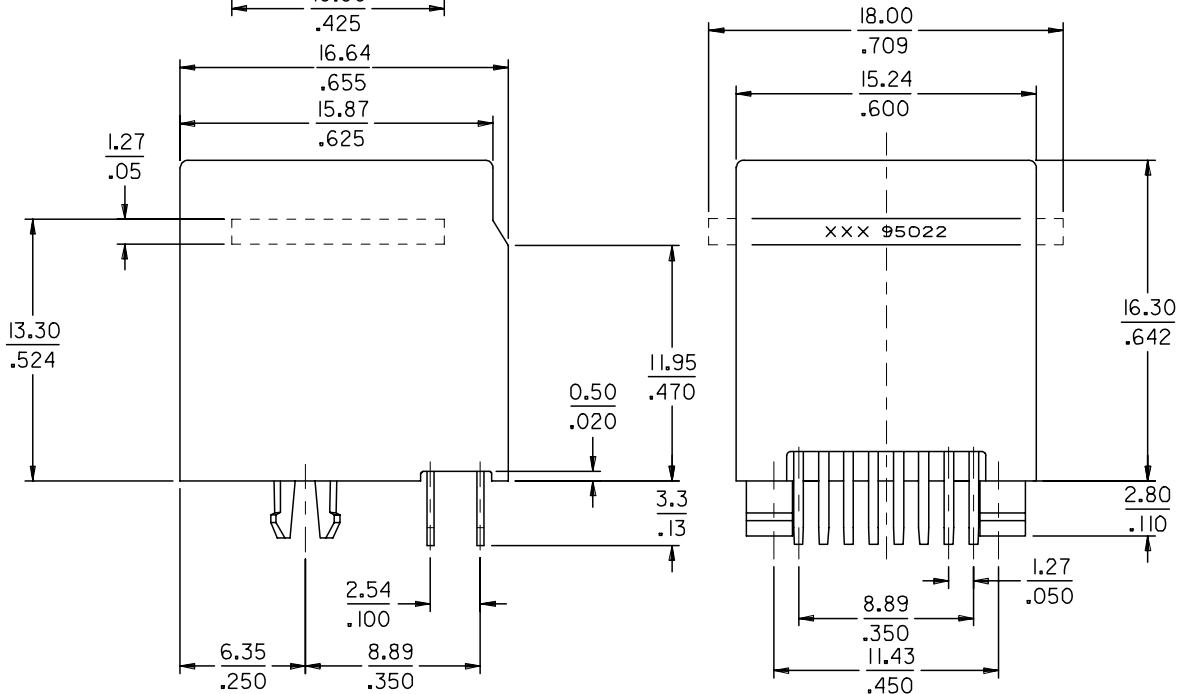
8- APPLICATION SPECIFICATION: AS-85513-001

OPTIONAL RIBS

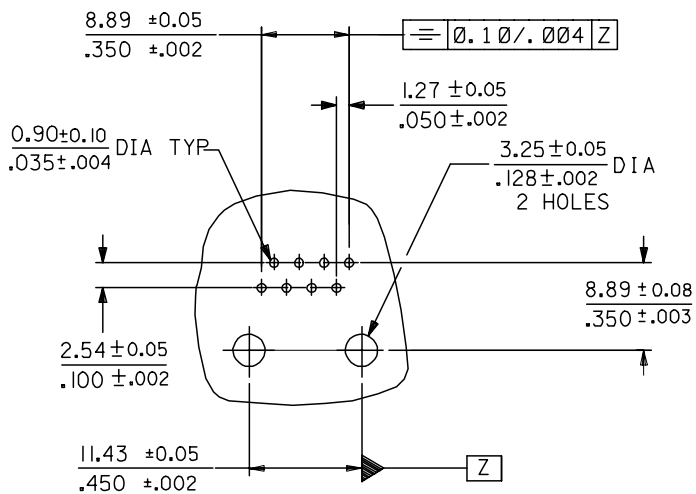


JACK WITH RIBS
MATERIAL NR.: 85506-5001

JACK WITHOUT RIBS
MATERIAL NR.: 85506-5002



P.C.B. MOUNTING PATTERN
(see from component side)



MODIFIED NOTES EC NO: E2008-0057 DRWN:DBYRNES CHKD: APPR:EOMAHONY	2007/08/03	DESCRIPTION
	2007/08/03	
	2007/08/07	
	2007/08/07	

QUALITY SYMBOLS	▽=0
	∇=0

GENERAL TOLERANCES (UNLESS SPECIFIED)	
mm	INCH
4 PLACES ± ---	± ---
3 PLACES ± ---	± .006
2 PLACES ± 0.15	± .010
1 PLACE ± 0.25	± ---
ANGULAR ± 2 °	
DRAFT WHERE APPLICABLE MUST REMAIN WITHIN DIMENSIONS	

DIMENSION STYLE	
MM/IN	
DRAWN BY	DATE
FB	98/02/25
CHECKED BY	DATE
MF	1998/02/26
APPROVED BY	DATE
FB	1998/02/28
MATERIAL NO.	DOCUMENT NO.
SEE CHART	SD-85506-501
SIZE	
A3	

SCALE	DESIGN UNITS	THIRD ANGLE PROJECTION
4:1	METRIC	
TITLE		
HIGH SPEED MODULAR JACK HIGH PROFILE TOP ENTRY THROUGH HOLE 8 CIRCUIT		
MOLEX INCORPORATED		
DOCUMENT NO.		SHEET NO.
SD-85506-501		1 OF 1
THIS DRAWING CONTAINS INFORMATION THAT IS PROPRIETARY TO MOLEX INCORPORATED AND SHOULD NOT BE USED WITHOUT WRITTEN PERMISSION		