

## Tuning Fork Quartz Crystal

The tuning fork crystal provides the circuit designer with the ultimate in size, performance, and economic trade-offs. This highly reliable, stable, and accurate device is available in two micro -miniature sizes for time base applications operating from a 32.768KHz reference frequency.

- Very small, compact SM packaging
- Rugged, resistant to shock and vibration
- Low cost
- Ideal for time of watches and clocks
- **RoHS Compliant Optional**

# WX26B

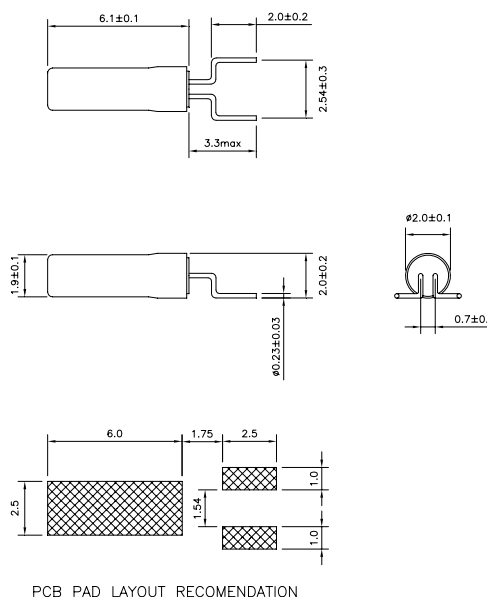
### Specifications:

<b>Frequency Range:</b>	30.000 ~ 120.000 KHz 32.768 KHz Standard	
<b>Operating Temperature:</b>	0°C ~ +50°C	- A
	-10°C ~ +60°C	- B
	-20°C ~ +70°C	- C
	-40°C ~ +85°C	- L
<b>Storage Temperature:</b>	-30°C ~ +80°C	
<b>Frequency Tolerance:</b> (at 25°C)	± 50 ppm	- 50
	± 30 ppm	- 30
	± 20 ppm	- 20
<b>Temperature Coefficient:</b>	-0.034 ± 0.006 ppm/°C <sup>2</sup>	
<b>Circuit Condition:</b>	8 pF ~ 32 pF or series 12.5 pF - Standard	
<b>Turnover Temperature:</b>	25 ± 5 °C	
<b>Series Resistance:</b>	50 KΩ max. Please see R table.	
<b>Drive Level:</b>	1.0 μW max	
<b>Series Capacitance:</b>	4.0 fF max	
<b>Parallel Capacitance:</b>	2.0 pF max	
<b>Aging:</b>	± 3 ppm max per year	
<b>Optional Features:</b>	RoHS Compliant - RC	

Note:

1. Other frequencies, tolerances, stabilities, and operating temperature ranges available. Consult VTC Support for specific requirements.
2. Not all combinations of the above tolerances, stabilities, and temperature ranges are available. Consult VTC Support if your requirement is not standard.
3. All specifications subject to change without notice.

### WX26B



PCB PAD LAYOUT RECOMENDATION

All dimensions are in mm

### Ordering Information

Product name + Temperature Range + CL + Frequency Tolerance + Other Specification Code + Frequency.

i.e. WX26BC50-32.768KHz