

PLEASE CHECK WWW.MOLEX.COM FOR LATEST PART INFORMATION

Part Number: [0512353015](#)
Status: **Active**
Description: CRC™ Shielded Rectangular I/O Mold Cover A, For Plug Assembly, 30 Circuits

Documents:

[3D Model](#) [Product Specification PS-51238-018 \(PDF\)](#)
[Drawing \(PDF\)](#) [RoHS Certificate of Compliance \(PDF\)](#)
[Product Specification PS-51238-010 \(PDF\)](#)

Agency Certification

CSA	LR19980
TUV	R72081037
UL	E29179

General

Product Family	I/O Connectors
Series	51235
Application	N/A
Component Type	Plug Cover
Product Name	CRC™
Type	N/A

Physical

Boot Color	N/A
Circuits (Loaded)	N/A
Circuits (maximum)	30
Color - Resin	Gray
Durability (mating cycles max)	100
Flammability	94V-0
Gender	Plug
Lock to Mating Part	Yes
Material - Metal	Stainless Steel
Material - Plating Mating	n/a
Material - Resin	Polycarbonate
Orientation	Vertical
Packaging Type	Tray
Panel Mount	N/A
Pitch - Mating Interface (in)	0.000 In
Pitch - Mating Interface (mm)	0.00 mm
Polarized to Mating Part	Yes
Polarized to PCB	N/A
Surface Mount Compatible (SMC)	N/A
Temperature Range - Operating	-40°C to +105°C
Termination Interface: Style	N/A
Waterproof / Dustproof	No

Electrical

Current - Maximum per Contact	3A
Shielded	No
Voltage - Maximum	250V AC (RMS)/DC

Material Info

Reference - Drawing Numbers

Product Specification	PS-51238-010, PS-51238-018, RPS-51238-001
Sales Drawing	SD-51235-009



EU RoHS

**ELV and RoHS
Compliant**
**REACH SVHC
Contains SVHC: No**
**Halogen-Free
Status
Not Reviewed**

China RoHS



Need more information on product environmental compliance?

Email productcompliance@molex.com
For a multiple part number RoHS Certificate of Compliance, [click here](#)

Please visit the [Contact Us](#) section for any non-product compliance questions.

Search Parts in this Series

[51235Series](#)

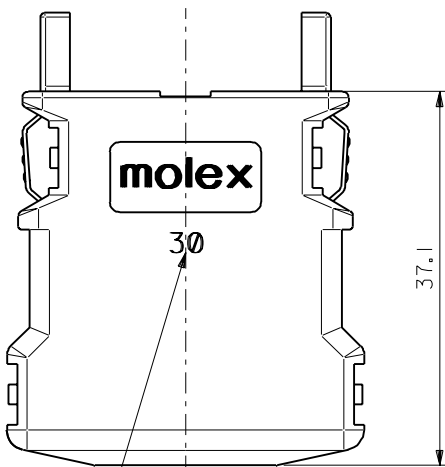
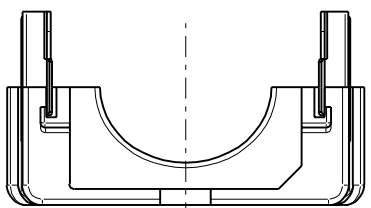
Use With

[56380](#) plug shell body, [51236](#) mold cover B, [56381](#) plug shell cover

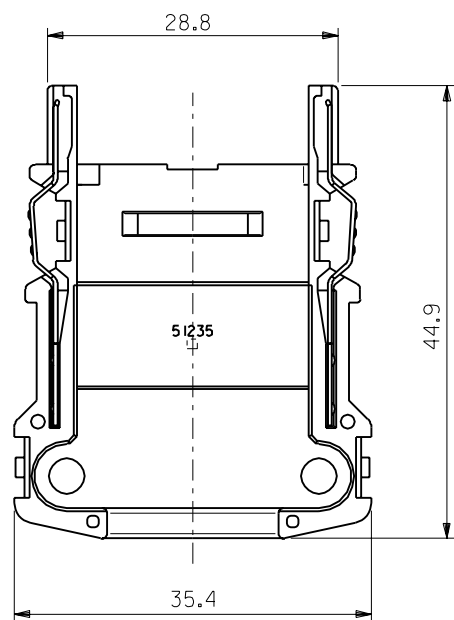
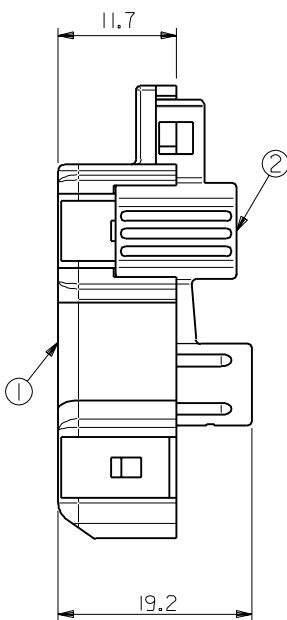
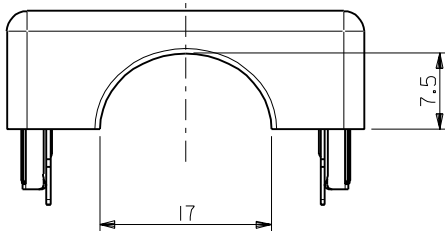
This document was generated on 04/12/2010

PLEASE CHECK WWW.MOLEX.COM FOR LATEST PART INFORMATION

DWG. NO.
SD-51235-009



SIZE IDENTIFICATION



注記
NOTES

1. 材質
MATERIAL
① カバー A : ガラス入りポリカーボネイト樹脂
COVER A : POLYCARBONATE G.F.
UL 94V-0 色 : グレー
UL 94V-0 COLOR : GRAY
② スプリングラッチ : ステンレス鋼 t0.4
SPRING LATCH : STAINLESS STEEL t0.4
2. 適用プラグカバー B : 51236-3005
APPLICABLE PLUG COVER B : 51236-3005

51235-3015	51235-***15
MATERIAL.NO	MODEL.NO
DIMENSIONS:	
<input type="checkbox"/> mm	<input type="checkbox"/> INCH
<input checked="" type="checkbox"/> mm	<input type="checkbox"/> mm ONLY
SHT	REV
REVISE ON	CAD ONLY

EC NO. DRWN: CHK: APPR:	EC NO. DRWN: CHK: APPR:	EC NO. DRWN: CHK: APPR:	REVISED 01/10/24 EC NO. J2002-0999 DRWN: K.SAKAMOTO CHK: J.MIYAZAWA APPR: Y.O.IIO	RELEASED 01/02/16 EC NO. JD2001-1040 DRWN: S.AKIYAMA CHK: J.MIYAZAWA APPR: H.IKESUGI	MATERIAL 材料 注記参照 SEE NOTES	GENERAL TOLERANCES: (UNLESS SPECIFIED) 一般公差	SCALE 2-1	DESIGN UNITS <input checked="" type="checkbox"/> mm <input type="checkbox"/> INCH	THIRD ANGLE PROJECTION	TITLE: COMPACT ROBOT CONN. (CRC) PLUG MOLD COVER A
			A	0	FINISH 仕上げ —	10 UNDER 未満	±0.2	DRAWN BY & DATE S. Akiyama 01/01/25	TITLE: MOLEX INCORPORATED	
					WIRE RANGE 適用線径範囲 —	10 OVER 30 UNDER 以上 未満	±0.25	CHECKED BY & DATE J. Miyazawa / Y. Oe		
					INS. RANGE 被覆外径 —	30 OVER 以上	±0.3	APPROVED BY & DATE Y. Oe		
						ANGLE 角度	±3°	CAD FILE NAME 51235009.S01	MATERIAL NO. SEE CHART	

THIS DRAWING CONTAINS INFORMATION THAT IS PROPRIETARY TO MOLEX INCORPORATED AND SHOULD NOT BE USED WITHOUT WRITTEN PERMISSION.

DO NOT SCALE DRAWING

8 7 6 5 4 3 2 1

F D V C B

F E D C B A

51235009.S01