

PLEASE CHECK WWW.MOLEX.COM FOR LATEST PART INFORMATION

Part Number: [1300061713](#)
Status: **Active**
Overview: [minichange_products](#)
Description: Mini-Change® A-Size Single-Ended Cordset, Straight Male to Pigtail, 6 Poles, 6.10m (20.0') Length, Cable Type ST00W

Documents:

[Drawing \(PDF\)](#) [RoHS Certificate of Compliance \(PDF\)](#)

Agency Certification

CSA LR6837
 UL E152210

General

Product Family Industrial Cordsets
 Series [130006](#)
 Comments A-Size (7/8" - 16 UN-2B)
 Connector End A Mini-Change®
 Connector End B Pigtail
 IP Rating IP67
 NEMA Rating NEMA 6
 Overview [minichange_products](#)
 Product Name Mini-Change®
 Type Single Ended

Physical

Cable Diameter 13.72mm (.540")
 Cable Length 6.10m (20.0')
 Color - Cable Jacket Yellow
 Coupling Style Threaded
 Gender Male-Pigtail
 Keyway Single
 LED Indicator No
 Material - Cable Jacket PVC
 Material - Connector Body PVC
 Material - Contact Brass
 Material - Coupling Nut Black Epoxy Coated Zinc
 Material - Plating Mating Gold
 Orientation 90° to Straight
 Poles 6
 Temperature Range - Operating -20°C to +105°C
 Wire Size AWG 16
 Wire/Cable Type ST00W

Electrical

Current - Maximum per Contact 8A
 Voltage - Maximum 600V

Material Info

Old Part Number 106003A01F200

Reference - Drawing Numbers

Sales Drawing SD-130006-035

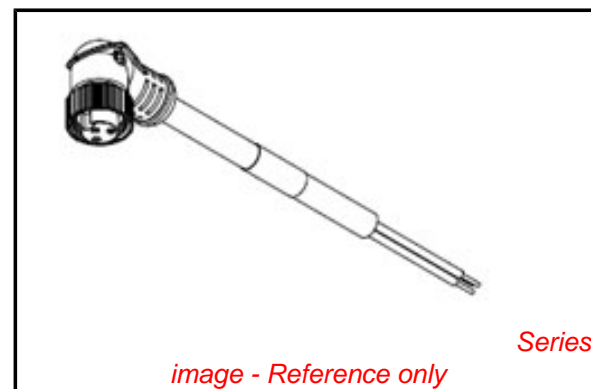


image - Reference only

EU RoHS

**ELV and RoHS
 Compliant
 REACH SVHC
 Not Reviewed
 Halogen-Free
 Status
 Not Reviewed**

China RoHS



**Need more information on product
 environmental compliance?**

Email productcompliance@molex.com
 For a multiple part number RoHS Certificate of
 Compliance, [click here](#)

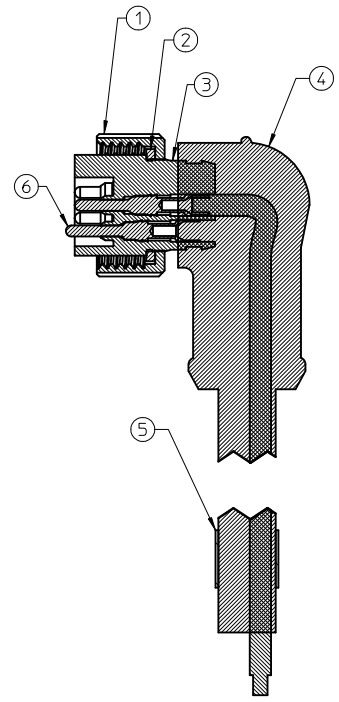
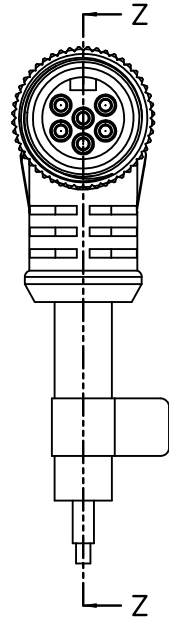
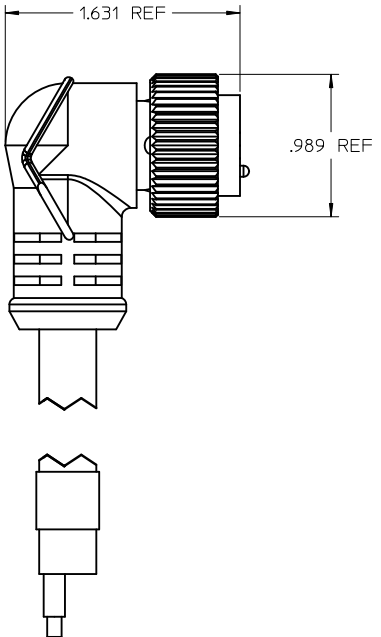
Please visit the [Contact Us](#) section for any
 non-product compliance questions.

Search Parts in this Series
[130006Series](#)

PLEASE CHECK WWW.MOLEX.COM FOR LATEST PART INFORMATION

FRONT VIEW - MALE ASSEMBLY

1. WHITE 2. BLACK	1. GREEN/YELLOW 2. BLACK 3. WHITE	1. BLACK 2. WHITE 3. RED 4. GREEN/YELLOW	1. WHITE 2. RED 3. GREEN/YELLOW 4. ORANGE 5. BLACK	1. WHITE 2. RED 3. GREEN/YELLOW 4. ORANGE 5. BLACK 6. BLUE



ENTER DESCRIPTION EC NO: WNA2010-0429 DRWIN: BWOODMAN 2010/01/12 CHKD: 2010/01/14 APPR: JFMURPHY 2010/01/14	QUALITY SYMBOLS ▽=0 ▽=0	GENERAL TOLERANCES (UNLESS SPECIFIED)		DIMENSION STYLE	SCALE	DESIGN UNITS	THIRD ANGLE PROJECTION		
				IN/MM	15:1	INCH			
		4 PLACES	±	---	±	---	TITLE		
		3 PLACES	±	---	±	---	MC 6P MP 90D 16/4 ST00W		
2 PLACES	±	---	±	---	DRAWN BY DATE				
1 PLACE	±	---	±	---	CHECKED BY DATE				
ANGULAR ±1/2°		DRAFT WHERE APPLICABLE MUST REMAIN WITHIN DIMENSIONS		APPROVED BY DATE		MATERIAL NO.			
				JFMURPHY 2010/01/14		9999999999			
				SIZE		DOCUMENT NO.			
				C		SD-130006-035			
						SHEET NO.			
						1 OF 2			
						THIS DRAWING CONTAINS INFORMATION THAT IS PROPRIETARY TO MOLEX INCORPORATED AND SHOULD NOT BE USED WITHOUT WRITTEN PERMISSION			

MINI A SIZE 90° MALE ASSEMBLY

2 POLE	3 POLE	4 POLE	5 POLE	6 POLE
--------	--------	--------	--------	--------

Sl. No.	DESCRIPTION	MATERIAL	FINISH	QUANTITY				
1	COUPLING NUT	ZINC DIECAST	BLACK E-COATED	1	1	1	1	1
2	FRICTION RING	NYLON	NATURAL	1	1	1	1	1
3	2P MALE INSERT PVC A SIZE	PVC	YELLOW	1				
	3P MALE INSERT PVC A SIZE	PVC	YELLOW		1			
	4P MALE INSERT PVC A SIZE	PVC	YELLOW			1		
	5P MALE INSERT PVC A SIZE	PVC	YELLOW				1	
	6P MALE INSERT PVC A SIZE	PVC	YELLOW					1
4	#16 AWG YELLOW STOOW/ST CORD	PVC JACKET	YELLOW	2	3	4	5	6
5	LABEL.WRAP AROUND LABEL-2 x 3	PLASTIC FILM	BLACK/YELLOW	1	1	1	1	1
6	PIN CONTACT	COPPER ALLOY	GOLD PLATED	1	1	1	1	1

POLE COUNT	MAX. VOLTAGE RATING	MAX. CURRENT RATING	CABLE DIAMETER
2 POLE	600 VOLTS	13 AMPS	.37" /9.4mm
3 POLE	600 VOLTS	13 AMPS	.41" /10.4mm
4 POLE	600 VOLTS	10 AMPS	.42" /10.7mm
5 POLE	600 VOLTS	8 AMPS	.50" /12.7mm
6 POLE	600 VOLTS	8 AMPS	.54" /13.7mm

PART NUMBER	DESCRIPTION	FINISHED LENGTH
1300060192	102003A01F030	3' +1.75" -0 [.9M + 44.5 -0]
1300060194	102003A01F060	6' +2.19" -0 [1.8M + 55.6 -0]
1300060196	102003A01F120	12' +3.50" -0 [3.7M +88.9 -0]
1300060200	102003A01F200	20' +6.50" -0 [6.1M +165.1 -0]
1300060643	103003A01F030	3' +1.75" -0 [.9M + 44.5 -0]
1300060647	103003A01F060	6' +2.19" -0 [1.8M + 55.6 -0]
1300060651	103003A01F120	12' +3.50" -0 [3.7M +88.9 -0]
1300060657	103003A01F200	20' +6.50" -0 [6.1M +165.1 -0]
1300061084	104003A01F030	3' +1.75" -0 [.9M + 44.5 -0]
1300061087	104003A01F060	6' +2.19" -0 [1.8M + 55.6 -0]
1300061090	104003A01F120	12' +3.50" -0 [3.7M +88.9 -0]
1300061095	104003A01F200	20' +6.50" -0 [6.1M +165.1 -0]
1300061516	105003A01F030	3' +1.75" -0 [.9M + 44.5 -0]
1300061518	105003A01F060	6' +2.19" -0 [1.8M + 55.6 -0]
1300061521	105003A01F120	12' +3.50" -0 [3.7M +88.9 -0]
1300061524	105003A01F200	20' +6.50" -0 [6.1M +165.1 -0]
1300061700	106003A01F030	3' +1.75" -0 [.9M + 44.5 -0]
1300061703	106003A01F060	6' +2.19" -0 [1.8M + 55.6 -0]
1300061706	106003A01F120	12' +3.50" -0 [3.7M +88.9 -0]
1300061713	106003A01F200	20' +6.50" -0 [6.1M +165.1 -0]

ENTER DESCRIPTION EC NO: MNA2010-0429 DRWN: BWOODMAN 2010/01/12 CHKD: 2010/01/14 APPR: JFMURPHY 2010/01/14	DESCRIPTION REV: 1	QUALITY SYMBOLS ▽=0 ▽=0	GENERAL TOLERANCES (UNLESS SPECIFIED) <table border="1" style="width: 100%; border-collapse: collapse;"> <tr> <th></th> <th>mm</th> <th>INCH</th> </tr> <tr> <td>4 PLACES ±</td> <td>---</td> <td>± ---</td> </tr> <tr> <td>3 PLACES ±</td> <td>---</td> <td>± ---</td> </tr> <tr> <td>2 PLACES ±</td> <td>---</td> <td>± ---</td> </tr> <tr> <td>1 PLACE ±</td> <td>---</td> <td>± ---</td> </tr> </table> ANGULAR ±1/2°		mm	INCH	4 PLACES ±	---	± ---	3 PLACES ±	---	± ---	2 PLACES ±	---	± ---	1 PLACE ±	---	± ---	DIMENSION STYLE IN/MM DRAWN BY: NKUMAR01 DATE: 01/11/2010 CHECKED BY: BWOODMAN DATE: 01/11/2010 APPROVED BY: JFMURPHY DATE: 2010/01/14	SCALE 3:1	DESIGN UNITS INCH	THIRD ANGLE PROJECTION
			mm	INCH																		
		4 PLACES ±	---	± ---																		
		3 PLACES ±	---	± ---																		
2 PLACES ±	---	± ---																				
1 PLACE ±	---	± ---																				
DRAFT WHERE APPLICABLE MUST REMAIN WITHIN DIMENSIONS			MC 6P MP 90D 16/4 STOOW		MOLEX INCORPORATED																	
			MATERIAL NO. 9999999999		DOCUMENT NO. SD-130006-035		SHEET NO. 2 OF 2															
THIS DRAWING CONTAINS INFORMATION THAT IS PROPRIETARY TO MOLEX INCORPORATED AND SHOULD NOT BE USED WITHOUT WRITTEN PERMISSION																						