

PLEASE CHECK WWW.MOLEX.COM FOR LATEST PART INFORMATION

Part Number: [0678008305](#)

Status: **Active**

Overview: [serial_ata_products](#)

Description: 1.27mm (.050") Pitch Serial ATA High Speed Header, Vertical, Through Hole, with Locking Latch, 7 Circuits, 0.38µm (15µ") Gold (Au) Plating, for 1.60mm (.063") PCB, High Temperature, Black, Footprint A, with PCB Locator Tabs, Lead-free

Documents:

[3D Model](#)

[Drawing \(PDF\)](#)

[RoHS Certificate of Compliance \(PDF\)](#)

Agency Certification

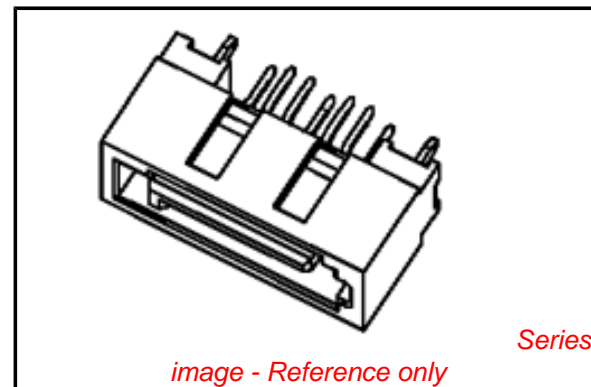
CSA LR 19980

General

Product Family	PCB Headers
Series	67800
Application	Board-to-Board, Wire-to-Board
Comments	In-line Solder Pin Footprint A
Overview	serial_ata_products
Product Name	Serial ATA

Physical

Breakaway	No
Circuits (Loaded)	7
Circuits (maximum)	7
Color - Resin	Black
Durability (mating cycles max)	50
First Mate / Last Break	Yes
Flammability	94V-0
Glow-Wire Compliant	No
Guide to Mating Part	No
Keying to Mating Part	Yes
Lock to Mating Part	Yes
Material - Metal	Brass
Material - Plating Mating	Gold
Material - Plating Termination	Tin
Number of Rows	1
Orientation	Vertical
PC Tail Length (in)	0.083 In
PC Tail Length (mm)	2.10 mm
PCB Locator	Yes
PCB Retention	Yes
PCB Thickness Recommended (in)	0.062 In
PCB Thickness Recommended (mm)	1.60 mm
Packaging Type	Tray
Pitch - Mating Interface (in)	0.050 In
Pitch - Mating Interface (mm)	1.27 mm
Pitch - Term. Interface (in)	0.050 In
Pitch - Term. Interface (mm)	1.27 mm
Polarized to Mating Part	Yes
Shrouded	Fully
Stackable	No
Surface Mount Compatible (SMC)	Yes
Temperature Range - Operating	-55°C to +85°C
Termination Interface: Style	Through Hole



EU RoHS

ELV and RoHS Compliant

REACH SVHC

Not Reviewed

Halogen-Free

Status

Not Halogen-Free

Need more information on product environmental compliance?

Email productcompliance@molex.com
For a multiple part number RoHS Certificate of Compliance, [click here](#)

Please visit the [Contact Us](#) section for any non-product compliance questions.

China RoHS



Search Parts in this Series

[67800Series](#)

Electrical

Current - Maximum per Contact	1.5A
Voltage - Maximum	15V

Solder Process Data

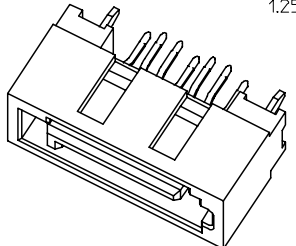
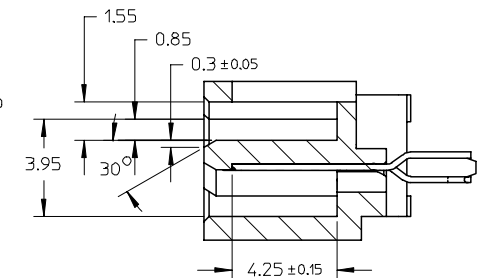
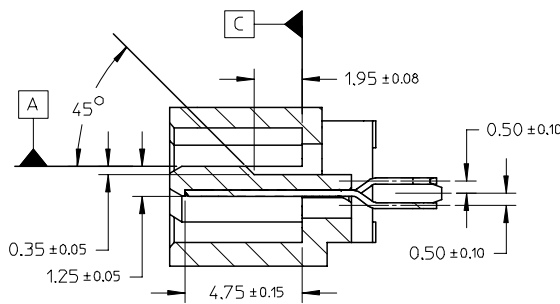
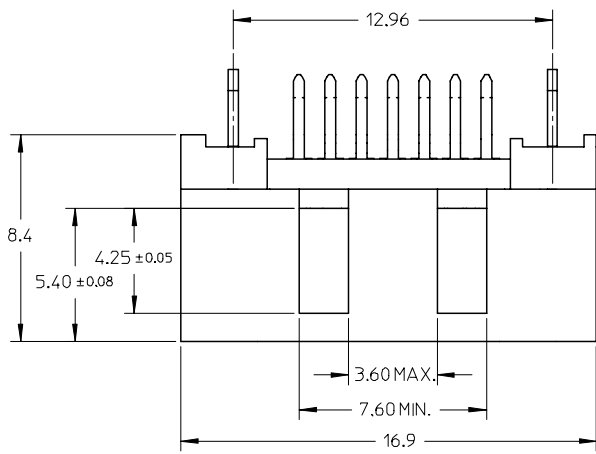
Duration at Max. Process Temperature (seconds)	10
Lead-free Process Capability	Reflow Capable (SMT only)
Max. Cycles at Max. Process Temperature	1
Process Temperature max. C	255

Material Info**Reference - Drawing Numbers**

Packaging Specification	PK-67800-003
Sales Drawing	SD-67800-008

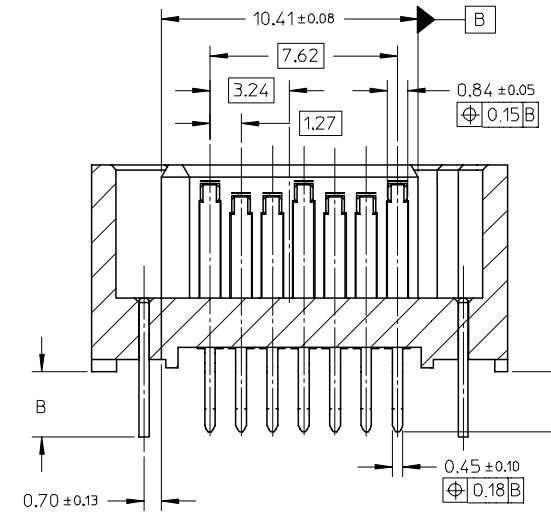
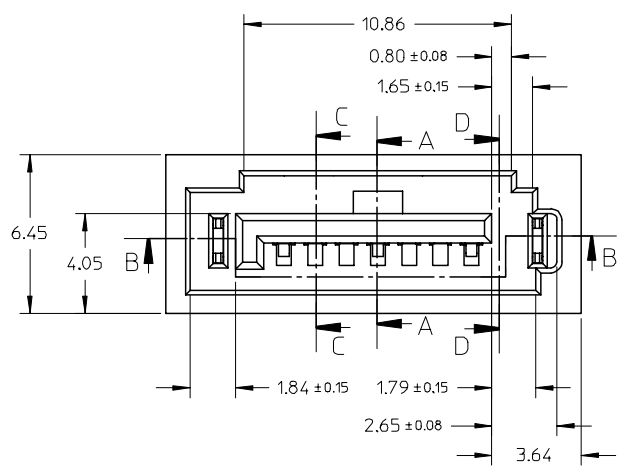
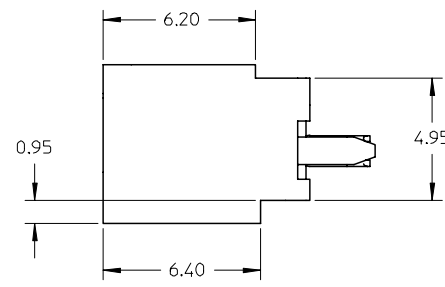
This document was generated on 05/25/2010

PLEASE CHECK WWW.MOLEX.COM FOR LATEST PART INFORMATION

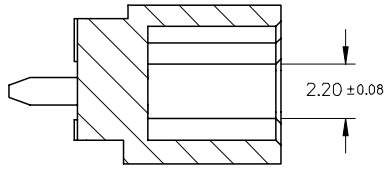


SECTION A-A

SECTION C-C



SECTION B-B



SECTION D-D

ADD PART NUMBER EC NO: SH2007-0324 DRWN: BCHENZ6 CHKD: JTIAN APPR: JNCHEN	2006/11/06 2006/11/06 2006/11/15
---	--

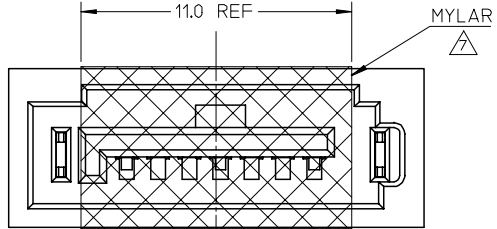
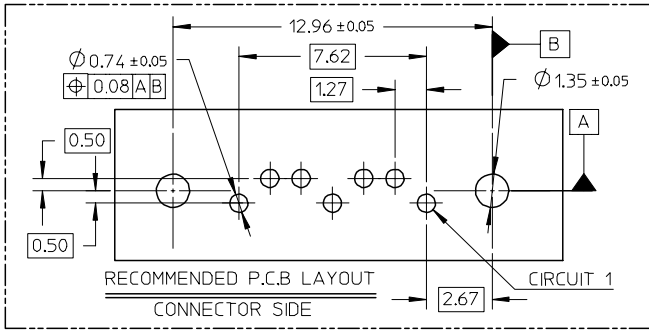
QUALITY SYMBOLS	▽=0 ◁=0
-----------------	------------

GENERAL TOLERANCES (UNLESS SPECIFIED)	mm	INCH
4 PLACES	± ---	± ---
3 PLACES	± ---	± ---
2 PLACES	± 0.15	± ---
1 PLACE	± 0.25	± ---
ANGULAR ± 1 °		
DRAFT WHERE APPLICABLE MUST REMAIN WITHIN DIMENSIONS		

DIMENSION STYLE MM ONLY	
DRAWN BY GRATE	DATE 2004/02/02
CHECKED BY YA JUN	DATE 2004/02/02
APPROVED BY SAM	DATE 2004/02/02
MATERIAL NO.	
SEE SHEET 2	

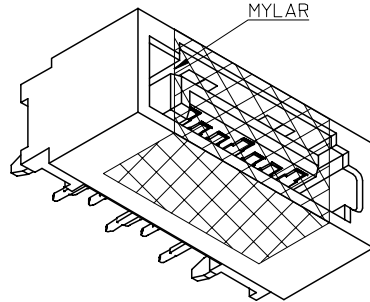
SCALE 5:1	DESIGN UNITS METRIC	THIRD ANGLE PROJECTION
TITLE HIGH SPEED CONNECTOR 1.27MM PITCH VERTICAL DIP SOLDER TAIL		
MOLEX INCORPORATED		
DOCUMENT NO. SD-67800-008	SHEET NO. 1 OF 2	
THIS DRAWING CONTAINS INFORMATION THAT IS PROPRIETARY TO MOLEX INCORPORATED AND SHOULD NOT BE USED WITHOUT WRITTEN PERMISSION		

10 9 8 7 6 5 4 3 2 1



SCHEMATIC DRAWING OF MYLAR ONLY FOR 678008205 (SCALE 5:1)

- NOTES:
- MATERIAL:
HOUSING/COLOR: SEE CHART, GLASS FILLED, UL94V-0,
TERMINAL/PEG: BRASS
 - TERMINAL PLATING:
CONTACT AREA: (a) GOLD FLASH
(b) GOLD, THICKNESS=0.76 MICRON MINIMUM
(c) GOLD, THICKNESS=0.38 MICRON MINIMUM
SOLDER TAIL: TIN PLATED 1.27 MICRON MINIMUM OVER
NICKEL PLATED 1.27 MICRON MINIMUM
 - POST PLATING: TIN PLATED 1.27 MICRON MINIMUM OVER
NICKEL PLATED 1.8 MICRON MINIMUM
 - PACKAGING:
FOR 678008205: TAPE & REEL, REFER TO PK-67800-003
FOR OTHER P/N: TRAY, REFER TO PK-67800-001
 - PRODUCT SPECIFICATION REFER TO PS-67491-001
 - RECOMMENDED SOLDERING PROCESS:
THERMAL PLASTIC FOR WAVE SOLDEING PROCESS
HIGH TEMPERATURE THERMAL PLASTIC FOR IR SOLDERING PROCESS
7. THE MYLAR STICKED ON THE HOUSING IS JUST USED FOR PICK-UP PLACE, PLEASE REMOVE IT AFTER REFLOW



ADD PART NUMBER	DESCRIPTION	REV	QUALITY SYMBOLS	GENERAL TOLERANCES (UNLESS SPECIFIED)	DIMENSION STYLE	SCALE	DESIGN UNITS	THIRD ANGLE PROJECTION
678008065	SEE NOTE2(c)			4 PLACES ± --- ± ---	MM ONLY	1:1	METRIC	
678008062	SEE NOTE2(b)			3 PLACES ± --- ± ---				
678008061	SEE NOTE2(a)			2 PLACES ± 0.15 ± ---				
678008055	SEE NOTE2(c)			1 PLACE ± 0.25 ± ---				
678008052	SEE NOTE2(b)			ANGULAR ± 1 °				
678008051	SEE NOTE2(a)							
678008245	SEE NOTE2(c)							
678008045	SEE NOTE2(c)							
678008042	SEE NOTE2(b)							
678008041	SEE NOTE2(a)							
678008085	SEE NOTE2(c)							
678008082	SEE NOTE2(b)							
678008081	SEE NOTE2(a)							
678008075	SEE NOTE2(c)							
678008072	SEE NOTE2(b)							
678008071	SEE NOTE2(a)							
678008235	SEE NOTE2(c)							
678008035	SEE NOTE2(c)							
678008032	SEE NOTE2(b)							
678008031	SEE NOTE2(a)							
678008025	SEE NOTE2(c)							
678008022	SEE NOTE2(b)							
678008021	SEE NOTE2(a)							
678008015	SEE NOTE2(c)							
678008012	SEE NOTE2(b)							
678008011	SEE NOTE2(a)							
678008305	SEE NOTE2(c)							
678008005	SEE NOTE2(c)							
678008002	SEE NOTE2(b)							
678008001	SEE NOTE2(a)							
MATERIAL NUMBER	PLATING TYPE	DIM A	DIM B	P.C.B THICKNESS	PLASTIC TYPE	PLASTIC COLOR	REMARK	
678008065	SEE NOTE2(c)	3.25	3.45	2.40+/-0.05	THERMAL PLASTIC	NATURE COLOR		
678008052	SEE NOTE2(b)	2.85	3.05	2.00+/-0.05	THERMAL PLASTIC	PROCESS BLUE C ΔE<3		
678008042	SEE NOTE2(b)	2.45	2.65	1.60+/-0.05	THERMAL PLASTIC	PURE TIN		
678008082	SEE NOTE2(b)	3.25	3.45	2.40+/-0.05	THERMAL PLASTIC	PURE TIN		
678008072	SEE NOTE2(b)	2.85	3.05	2.00+/-0.05	THERMAL PLASTIC	PROCESS BLUE C ΔE<3		
678008032	SEE NOTE2(b)	2.45	2.65	1.60+/-0.05	THERMAL PLASTIC	PURE TIN		
678008022	SEE NOTE2(b)	3.25	3.45	2.40+/-0.05	THERMAL PLASTIC	BLACK		
678008012	SEE NOTE2(b)	2.85	3.05	2.00+/-0.05	THERMAL PLASTIC	BLACK		
678008002	SEE NOTE2(b)	2.45	2.65	1.60+/-0.05	THERMAL PLASTIC	PURE TIN		

MATERIAL NUMBER	PLATING TYPE	DIM A	DIM B	P.C.B THICKNESS	PLASTIC TYPE	PLASTIC COLOR	REMARK
678008125	SEE NOTE2(c)						
678008122	SEE NOTE2(b)	3.25	3.45	2.40+/-0.05	HIGH TEMPERATURE THERMAL PLASTIC	BLACK	PURE TIN
678008121	SEE NOTE2(a)						
678008115	SEE NOTE2(c)						
678008112	SEE NOTE2(b)	2.85	3.05	2.00+/-0.05	THERMAL PLASTIC	BLACK	PURE TIN
678008111	SEE NOTE2(a)						
678008205	SEE NOTE2(c)						
678008105	SEE NOTE2(c)	2.45	2.65	1.60+/-0.05	THERMAL PLASTIC	PURE TIN	
678008102	SEE NOTE2(b)						
678008101	SEE NOTE2(a)						

ADD PART NUMBER EC NO: SH2007-0324 DRWN: BCHENZ6 CHKD: JTIAN APPR: JNCHEN	QUALITY SYMBOLS ▽=0 ▽=0	GENERAL TOLERANCES (UNLESS SPECIFIED) mm INCH 4 PLACES ± --- ± --- 3 PLACES ± --- ± --- 2 PLACES ± 0.15 ± --- 1 PLACE ± 0.25 ± --- ANGULAR ± 1 °	DIMENSION STYLE MM ONLY DRAWN BY DATE GRATE 2004/02/02 CHECKED BY DATE YA JUN 2004/02/02 APPROVED BY DATE SAM 2004/02/02	SCALE 1:1 DESIGN UNITS METRIC THIRD ANGLE PROJECTION	TITLE HIGH SPEED CONNECTOR 1.27MM PITCH VERTICAL DIP SOLDER TAIL	MATERIAL NO. SEE CHART DOCUMENT NO. SD-67800-008 SHEET NO. 2 OF 2	
	DRAFT WHERE APPLICABLE MUST REMAIN WITHIN DIMENSIONS			MOLEX INCORPORATED		THIS DRAWING CONTAINS INFORMATION THAT IS PROPRIETARY TO MOLEX INCORPORATED AND SHOULD NOT BE USED WITHOUT WRITTEN PERMISSION	
	ADD PART NUMBER EC NO: SH2007-0324 DRWN: BCHENZ6 CHKD: JTIAN APPR: JNCHEN		QUALITY SYMBOLS ▽=0 ▽=0		TITLE HIGH SPEED CONNECTOR 1.27MM PITCH VERTICAL DIP SOLDER TAIL		SHEET NO. 2 OF 2
	DRAFT WHERE APPLICABLE MUST REMAIN WITHIN DIMENSIONS			MOLEX INCORPORATED		THIS DRAWING CONTAINS INFORMATION THAT IS PROPRIETARY TO MOLEX INCORPORATED AND SHOULD NOT BE USED WITHOUT WRITTEN PERMISSION	

9 8 7 6 5 4 3 2 1