

PLEASE CHECK WWW.MOLEX.COM FOR LATEST PART INFORMATION

Part Number: [0359790250](#)
Status: **Planned for Obsolescence**
Description: 7.92mm (.312") Pitch Wire-to-Board Header, Right Angle, 2 Circuits, Natural, Polyester Alloy, Glow Wire Compatible

Documents:

[Drawing \(PDF\)](#) [RoHS Certificate of Compliance \(PDF\)](#)
[Product Specification PS-35979-001 \(PDF\)](#)

Agency Certification

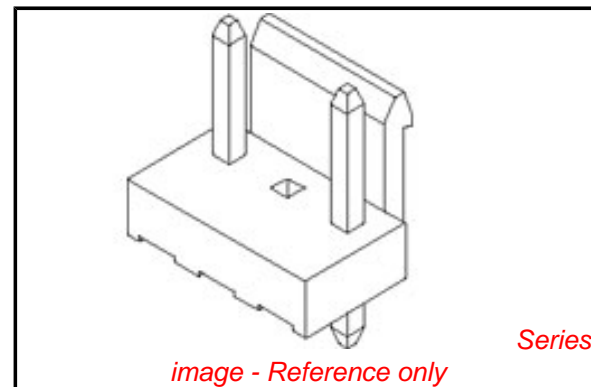
CSA	LR19980
TUV	R72090224
UL	E29179

General

Product Family	PCB Headers
Series	35979
Application	Wire-to-Board
Product Name	MV-396™

Physical

Breakaway	No
Circuits (Loaded)	2
Circuits (maximum)	3
Color - Resin	Natural
Durability (mating cycles max)	30
First Mate / Last Break	No
Flammability	94V-0
Glow-Wire Compliant	Yes
Guide to Mating Part	No
Keying to Mating Part	None
Lock to Mating Part	Yes
Material - Metal	Brass
Material - Plating Mating	Tin
Material - Plating Termination	Tin
Material - Resin	Polyester Alloy
Number of Rows	1
Orientation	Right Angle
PC Tail Length (in)	0.146 In
PC Tail Length (mm)	3.70 mm
PCB Locator	No
PCB Retention	None
PCB Thickness Recommended (in)	0.062 In
PCB Thickness Recommended (mm)	1.60 mm
Packaging Type	Bag
Pitch - Mating Interface (in)	0.156 In
Pitch - Mating Interface (mm)	3.96 mm
Pitch - Term. Interface (in)	0.156 In
Pitch - Term. Interface (mm)	3.96 mm
Polarized to Mating Part	No
Polarized to PCB	No
Shrouded	No
Stackable	Yes
Surface Mount Compatible (SMC)	No
Temperature Range - Operating	-25°C to +85°C
Termination Interface: Style	Through Hole



EU RoHS

ELV and RoHS Compliant
REACH SVHC
 Not Reviewed
Halogen-Free Status
 Not Reviewed

China RoHS



Need more information on product environmental compliance?

Email productcompliance@molex.com
 For a multiple part number RoHS Certificate of Compliance, [click here](#)

Please visit the [Contact Us](#) section for any non-product compliance questions.

Search Parts in this Series

[35979Series](#)

Mates With

[35977 Wire-to-Board Housing](#)

Electrical

Current - Maximum per Contact

7A

Voltage - Maximum

250V

Material Info**Reference - Drawing Numbers**

Product Specification

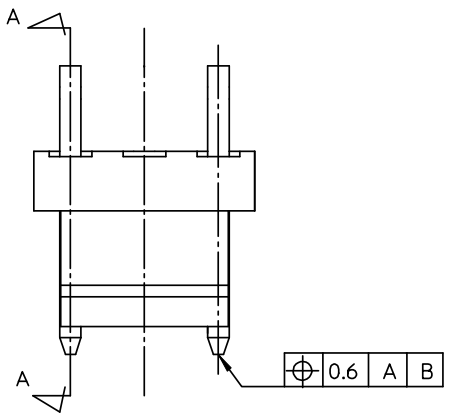
PS-35979-001

Sales Drawing

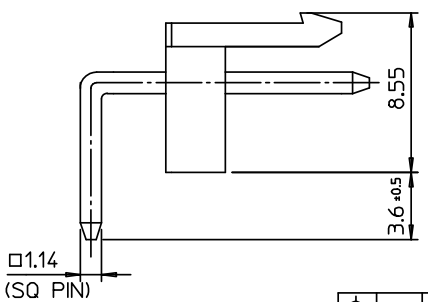
SD-35979-002

This document was generated on 06/07/2010

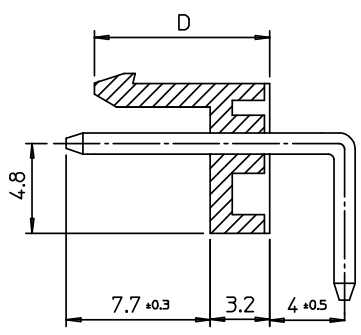
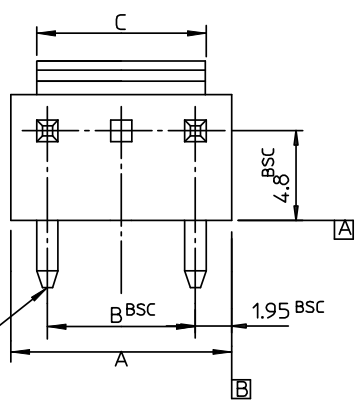
PLEASE CHECK WWW.MOLEX.COM FOR LATEST PART INFORMATION



⊕ 0.6 A B



⊕ 0.6 A B



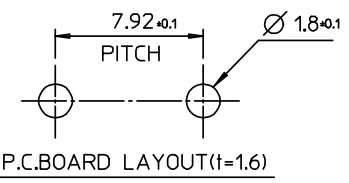
SECTION A-A

NOTES

- MATERIAL : HEADER - PA66, PBT/PC
PIN : BRASS(CDA 2700)
- FINISHES : PIN
THICKNESS - TIN PLATED 3.0 MICROMETER MIN.
OVER Cu 1.5 MICROMETER MIN.
- PRODUCT SPECIFICATION : PS-35979-002

LEGEND

- 35979-****
- COLOR : 0 - WHITE
1 - BLACK
2 - RED
3 - YELLOW
4 - BLUE
 - PIN TYPE : RIGHT ANGLE MATERIAL : 2 : PA66 5 : PBT/PC
 - CIRCUIT NO. (02,03,04...)



9.4	56.50	55.44	59.40	3597908**	35979-08**	8	15
	48.58	47.52	51.48	3597907**	35979-07**	7	13
	40.66	39.60	43.56	3597906**	35979-06**	6	11
9.7	32.74	31.68	35.64	3597905**	35979-05**	5	9
	24.82	23.76	27.72	3597904**	35979-04**	4	7
	16.90	15.84	19.80	3597903**	35979-03**	3	5
D	C	B	A	MAT'L NO	ENG NO.	CKT	N

REVISED	DESCRIPTION
EC NO: KOR2008-0143	2008/02/26
DRWN: JHPARK01	2008/02/26
CHKD: WY. YANG	2008/02/26
APPR: YUNS.IKKIM	2008/02/27
REV	DESCRIPTION

QUALITY SYMBOLS	▽=0
	∇=0
GENERAL TOLERANCES (UNLESS SPECIFIED)	mm
	INCH
DRAFT WHERE APPLICABLE MUST REMAIN WITHIN DIMENSIONS	4 PLACES ± --- ± ---
	3 PLACES ± --- ± ---
	2 PLACES ± --- ± ---
	1 PLACE ± 0.2 ± ---
	ANGULAR ± 2 °

DIMENSION STYLE	
MM ONLY	
DRAWN BY	DATE
YR. WI	1999/05/07
CHECKED BY	DATE
JK. OH	1999/05/07
APPROVED BY	DATE
CW. LEE	1999/05/07
MATERIAL NO.	DOCUMENT NO.
SEE TABLE	SD-35979-002

SCALE	DESIGN UNITS	THIRD ANGLE PROJECTION
3.5:1	METRIC	
TITLE		
7.92 PITCH W-T-B CONN. HEADER ASSY(R/A)		
MOLEX MOLEX INCORPORATED		SHEET NO.
SD-35979-002		1 OF 01
THIS DRAWING CONTAINS INFORMATION THAT IS PROPRIETARY TO MOLEX INCORPORATED AND SHOULD NOT BE USED WITHOUT WRITTEN PERMISSION		