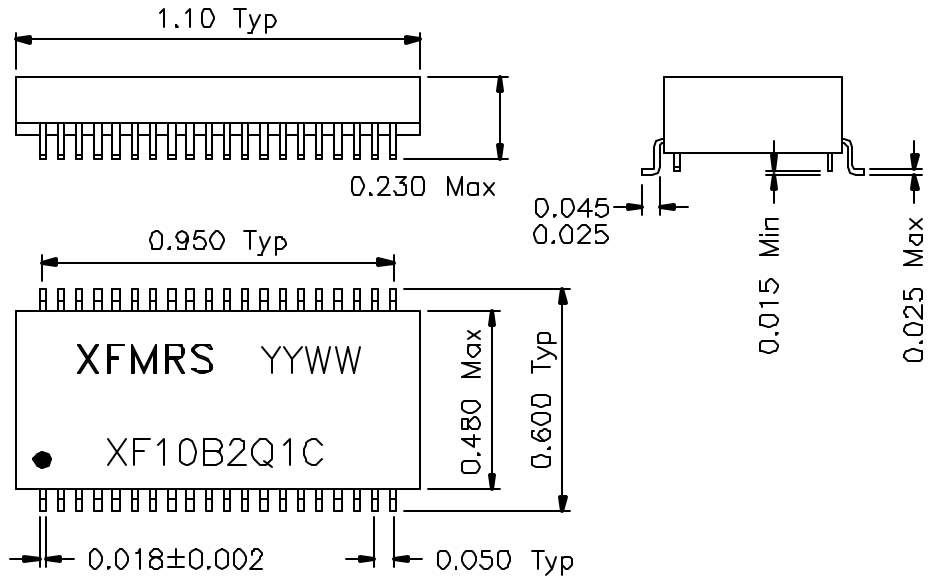
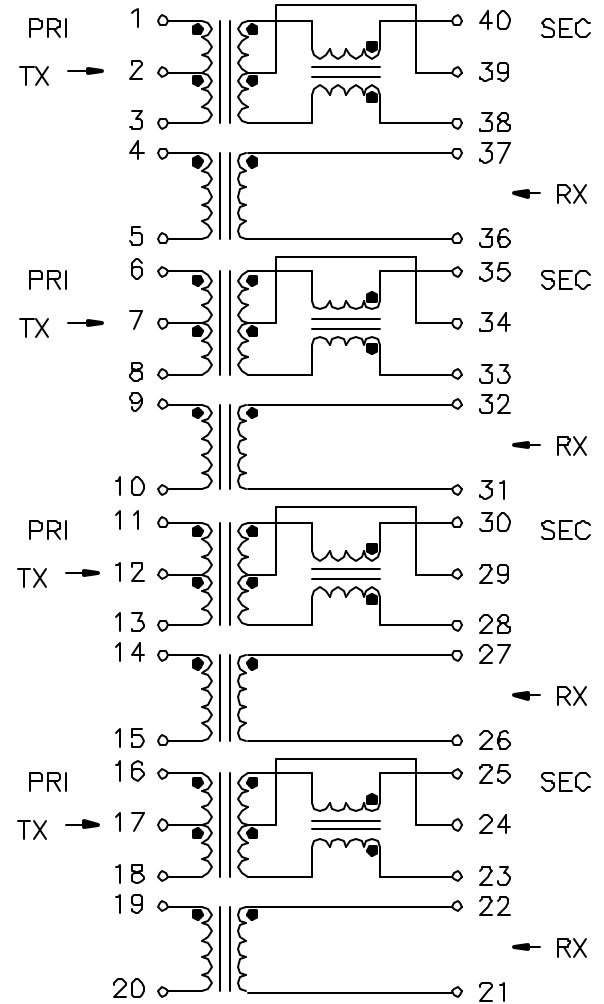


### 1. Dimensions:



### 2. Schematic:



### 3. Electrical Specifications: @25°C

Turns Ratio: PRI/SEC TX 1CT:1CT ±3% RX 1:1 ±3%  
 Isolation Voltage: 1500 Vrms (Input to Output)  
 PRI OCL: 150uH Minimum @100KHz,100mV  
 SEC LL: 0.30uH Maximum @100KHz 100mV  
 SEC Shorted  
 PRI/SEC Cw/w: 12pF Max. @100KHz 100mV  
 PRI DC Resistance: 0.30 ohms Maximum

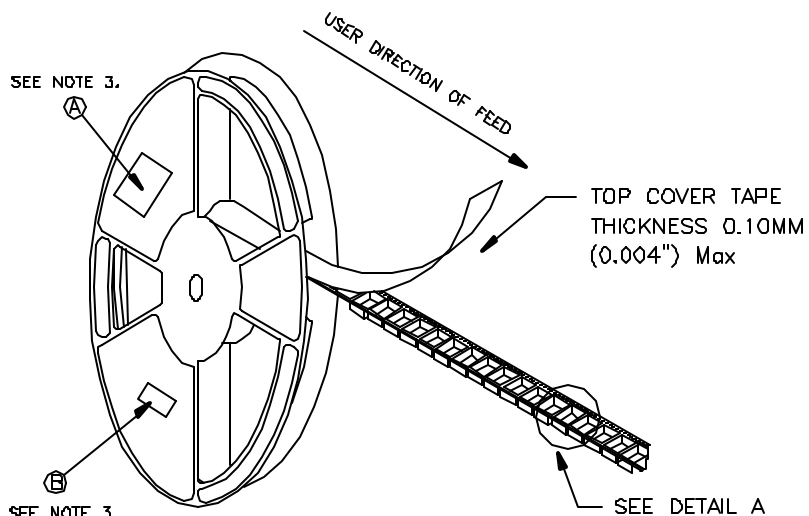
DOC. REV: A/1

<b>XFMRs Inc</b>		Title: Quad Port 10BASE-TX Module	
UNLESS OTHERWISE SPECIFIED TOLERANCES: .xxx ±0.010 Dimensions in INCH	P/N: XF10B2Q1C		REV. A
	DWN.	李清儿	Nov-11-99
	CHK.	孙怡	Nov-11-99
SCALE 2:1 SHT 1 OF 1	APP.	Joe Huff	Nov-11-99

# TAPE AND REEL SPECIFICATION:

## NOTES:

- 1) PROCESS IN ACCORDANCE WITH EIA-481-2 STANDARDS
    - \* TAPE LEADER DIMENSION 15.30" MIN.
    - \* TAPE TRAILER DIMENSION 6.30" MIN.
  - 2) PARTS SHOULD BE PACKAGED IN ACCORDANCE WITH ESD GUIDELINES IN EIA-541.
  - 3) REEL LABEL: 'A' \* PART NUMBER
    - \* QUANTITY
    - \* LOT NUMBER
- 'B' - ANTI-STATIC CAUTION LABEL



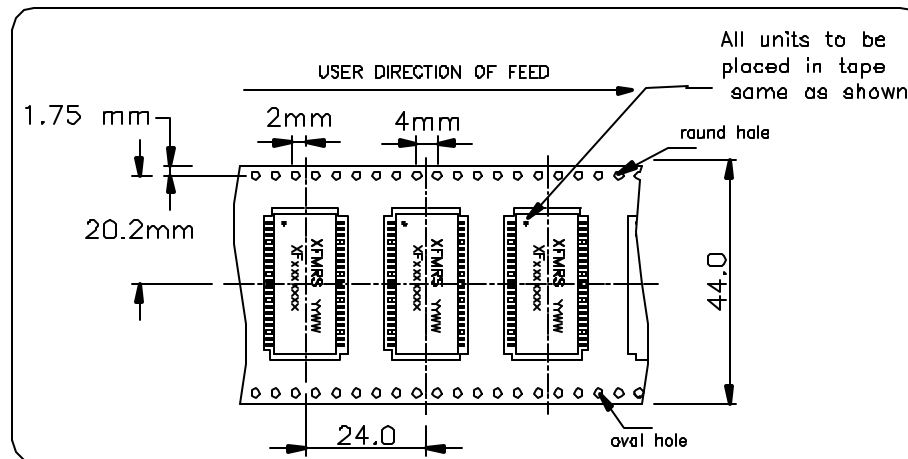
REEL AND TAPE ORIENTATION

13" REEL DIAMETER

13" REEL = 400 PCS

DOC. REV. A/1

DETAIL A



XFMRS Inc	Title: T&R SPEC		
	UNLESS OTHERWISE SPECIFIED TOLERANCES:		REV:A
.xxs ±xxxxx	40 Pin Quad T&R	DWN.	康玉坤
Dimensions in mm		CHK.	李清儿
SHT 2 OF 2		APP.	BW
			Dec-28-00
			Dec-28-00
			Dec-28-00