

Model(型號): **ROTARY POTENTIOMETER-----R16911A01**

► [Download PDF file](#)

Features:(特點):

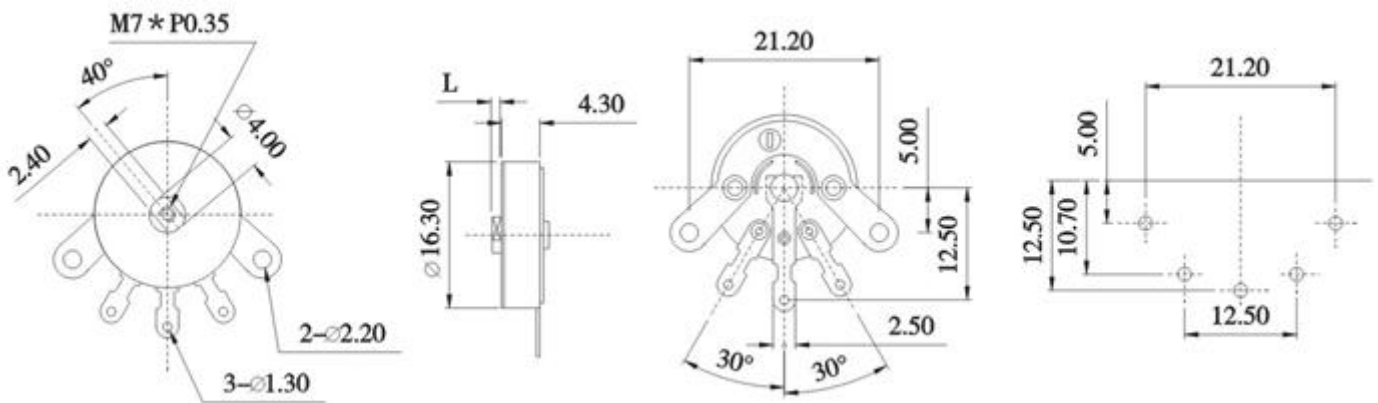
Small size,high dependability



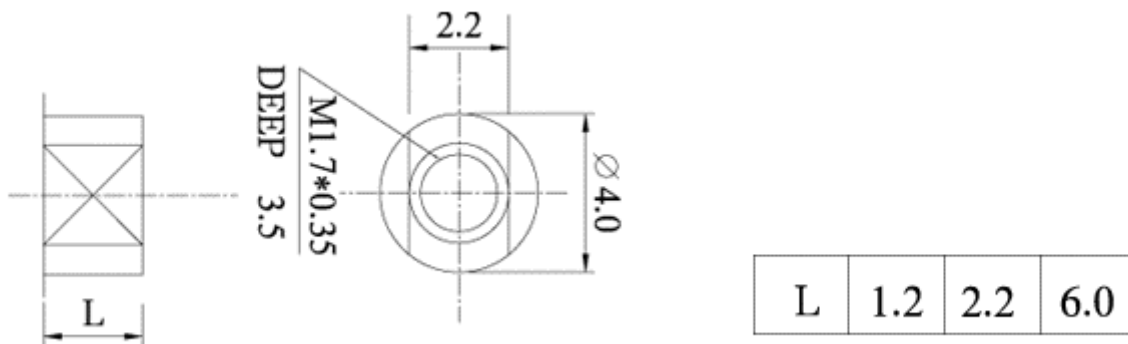
Applications(作用):

For volume controls, electronic tuning and brightness control in radio , headphone stereo,liquidcrystal TV set,personal computer, CD-ROM,ect.

Dimensions(規格圖):



SHAFT DIMENSION



Specifications(規格)

Electrical Characteristics [電氣性能]

Total resistance [全阻抗值]	100Ω - 1MΩ
Total resistance tolerance [全阻抗值容許差]	±20%
Ratings power(w) [額定功率]	Linear Taper B : 0.1W , Other Tarpers :0.05W .
Resistance taper [阻抗變化特性]	A,B, *C,D,W
Residual resistance [殘留阻值]	20Ω Max
Sliding noise [滑動雜音]	150mV Max.
Gang error [連動誤差]	R ≤ 1KΩ,30dB~0dB ±3dB Max ; R > 1KΩ,40dB~0dB ±3dB Max .
Insulation resistance [絕緣阻抗]	100MΩ Min. at DC 500V.
Withstanding voltage [耐電壓]	1 minute at AC 250V
Max. operating voltage [最高使用電壓]	Linear Taper B : AC150V , Other Tarpers : AC100V .

Mechanical Characteristics [機械性能]

Operation torque [回轉力矩]	20~200gf . cm
Rotation stopper strength [止動強度]	0.6Kgf . cm Min.
Total rotational angle [回轉角度]	260 ±10°

Knob push-pull strength [推拉強度]	Push 1.0kgf. cm Max.
Endurance Characteristics [耐久性能]	
Rotational life [回轉壽命]	More than5,000 cycles

[Http://www.productwell.com](http://www.productwell.com) E-Mail: pwlhk@productwell.com Tel: (852)2687 3208 Fax: (852)2687 3336