

LITEON LITE-ON TECHNOLOGY CORPORATION

Property of LITON Only

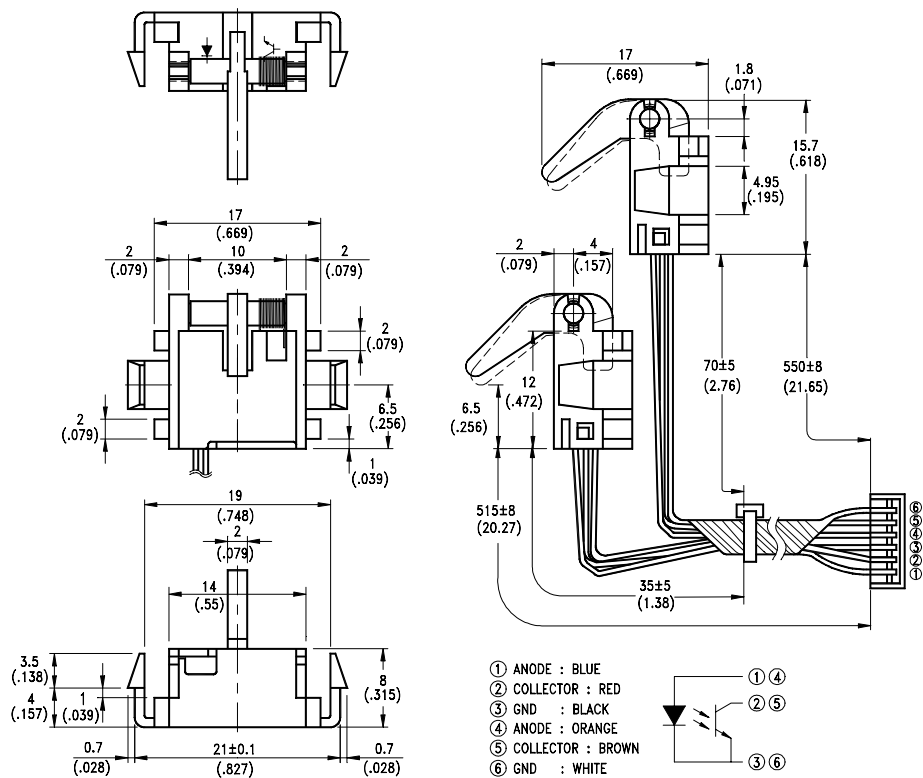
FEATURES

- * SNAP IN MOUNTING TYPE.
- * WITH COMPACT ACTUATOR
- * 6 -PIN CONNECTOR.

APPLICATIONS

- * PRINTER
- * FACSIMILES
- * SCANNER

PACKAGE DIMENSIONS



NOTES:

1. All dimensions are in millimeters (inches).
2. Tolerance is $\pm 0.25\text{mm}(.010\text{'})$ unless otherwise noted.



ABSOLUTE MAXIMUM RATINGS AT TA=25

PARAMETER	MAXIMUM RATING	UNIT
INPUT LED		
Power Dissipation	75	mW
Peak Forward Current (300 pps , 10 μ S pulse)	1	A
Continuous Forward Current	50	mA
Reverse Voltage	5	V
OUTPUT PHOTOTRANSISTOR		
Power Dissipation	100	mW
Collector-Emitter Voltage	30	V
Emitter-Collector Voltage	5	V
Collector Current	20	mA
Operating Temperature Range	-25 to + 85	
Storage Temperature Range	-40 to + 100	
Lead Soldering Temperature [1.6mm (.063") Form Case]	260 for 5 Seconds	



Property of LITON Only

ELECTRICAL OPTICAL CHARACTERISTICS AT TA=25

PARAMETER	SYMBOL	MIN.	TYP.	MAX.	UNIT	TEST CONDITION
INPUT LED						
Forward Voltage	V_F		1.2	1.6	V	$I_F = 20mA$
Reverse Current	I_R			100	μA	$V_R=5V$
OUTPUT PHOTOTRANSISTOR						
Collector-Emitter Dark Current	I_{CEO}			100	nA	$V_{CE}=10V$
COUPLER						
Collector-Emitter Saturation Voltage	$V_{CE(SAT)}$			0.4	V	$I_C=0.2mA$ $I_F=20mA$
On State Collector Current	$I_{C(ON)}$	0.5			mA	$V_{CE}=5V$ $I_F=20mA$
Action Angle		8		14	DEG	$V_{CE}=5V$ $I_F=20mA$ $I_C=10mA$

NOTES : CONNECTOR : EVER-CONN 2020-06

WIRE : REI-HSING AWG26 (UL 1061)

TYPICAL ELECTRICAL / OPTICAL CHARACTERISTICS CURVES

(25 Ambient Temperature Unless Otherwise Noted)

Fig.1 Power Dissipation vs. Ambient Temperature

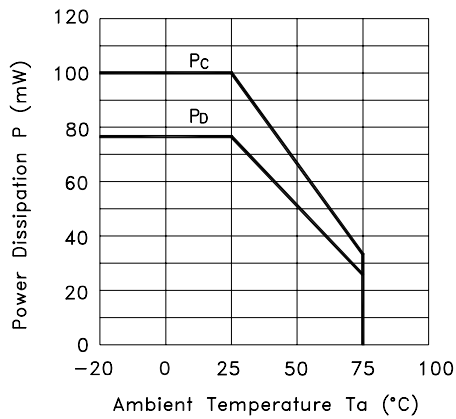


Fig.2 Forward Current vs. Forward Voltage

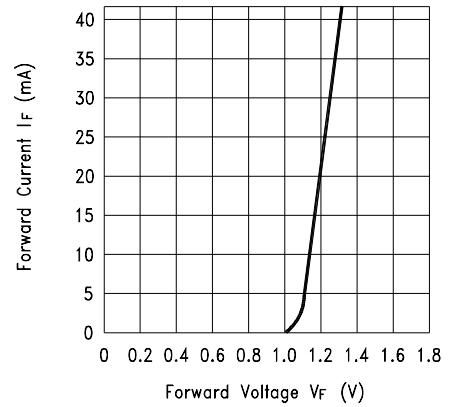


Fig.3 Collector Current vs. Forward Voltage

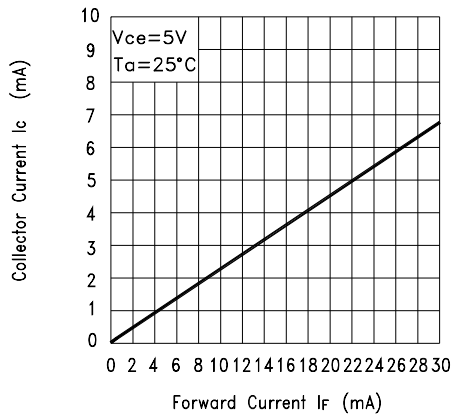
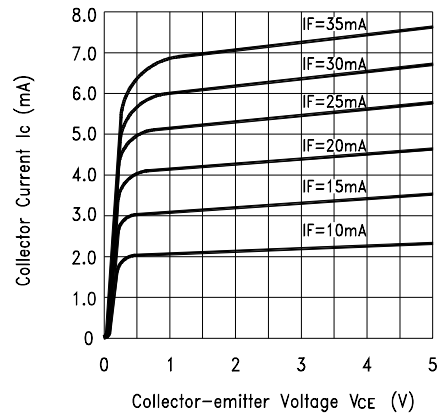


Fig.4 Collector Current vs. Collector-emitter Voltage



TYPICAL ELECTRICAL / OPTICAL CHARACTERISTICS CURVES

(25 Ambient Temperature Unless Otherwise Noted)

Fig.5 Collector Current vs. Ambient Temperature

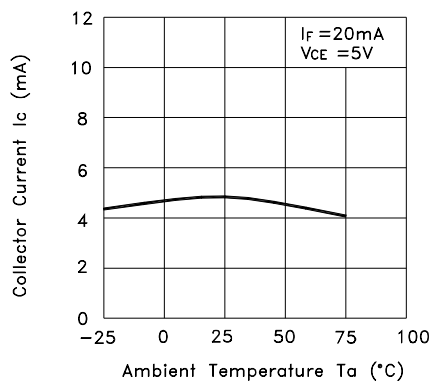


Fig.6 Collector-emitter Saturation Voltage vs. Ambient Temperature

