

PLEASE CHECK WWW.MOLEX.COM FOR LATEST PART INFORMATION

Part Number: [0981970002](#)
Status: **Active**
Overview: [mox crimp terminals](#)
Description: 2.54mm (.100") Pitch MOX FFC Connector, 3 Circuits, White

Documents:

[Drawing \(PDF\)](#) [RoHS Certificate of Compliance \(PDF\)](#)

General

Product Family	Crimp Housings
Series	98197
Overview	mox crimp terminals
Product Name	MOX

Physical

Circuits (maximum)	3
Gender	Female
Glow-Wire Compliant	No
Lock to Mating Part	Yes
Number of Rows	1
Packaging Type	Bag
Panel Mount	No
Pitch - Mating Interface (in)	0.100 In
Pitch - Mating Interface (mm)	2.54 mm
Polarized to Mating Part	Yes
Stackable	No
Temperature Range - Operating	-40°C to +85°C

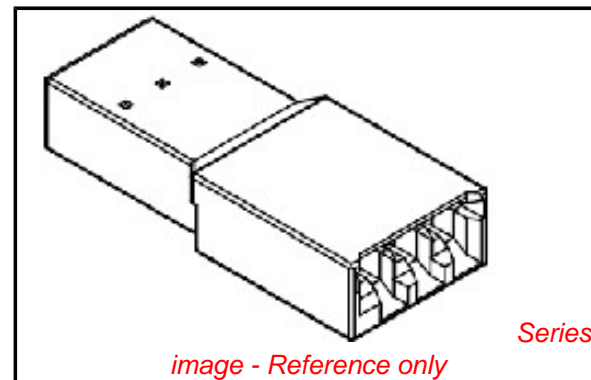
Electrical

Current - Maximum per Contact	6A
-------------------------------	----

Material Info

Reference - Drawing Numbers

Application Specification	AS-98197-001
Sales Drawing	SD-98197-003



EU RoHS
ELV and RoHS
Compliant
REACH SVHC
 Not Reviewed
Halogen-Free
Status
Halogen-Free

China RoHS



Need more information on product environmental compliance?

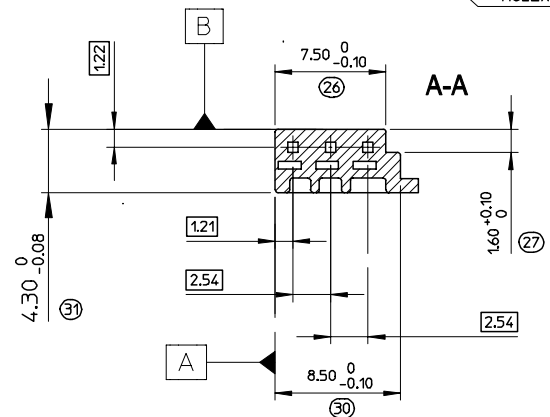
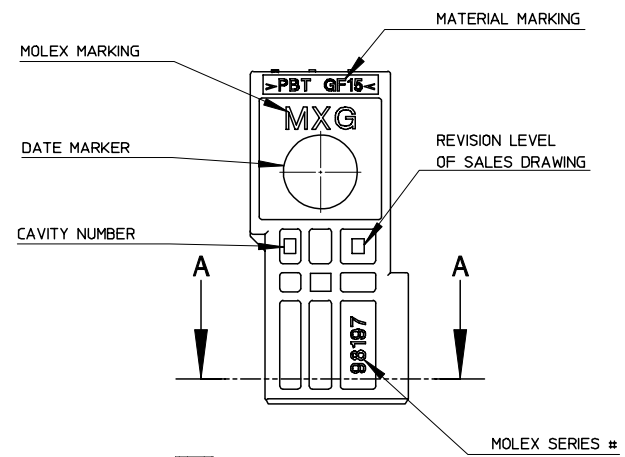
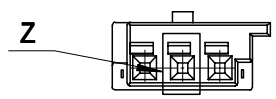
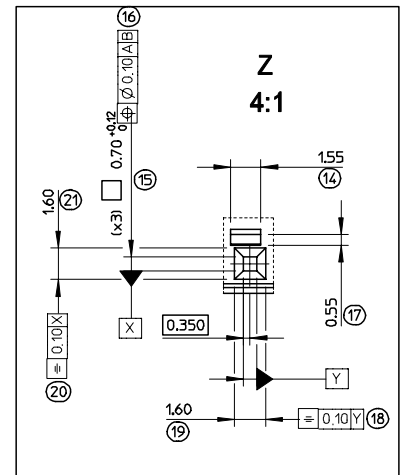
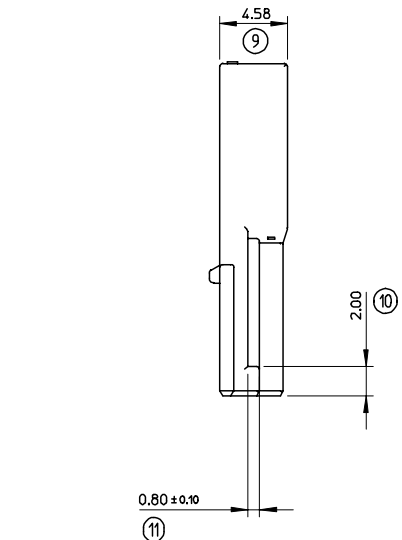
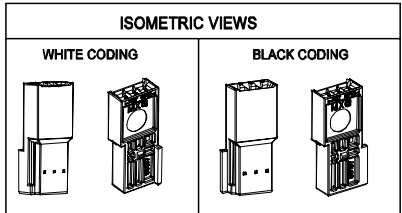
Email productcompliance@molex.com
 For a multiple part number RoHS Certificate of Compliance, [click here](#)

Please visit the [Contact Us](#) section for any non-product compliance questions.

Search Parts in this Series
[98197Series](#)

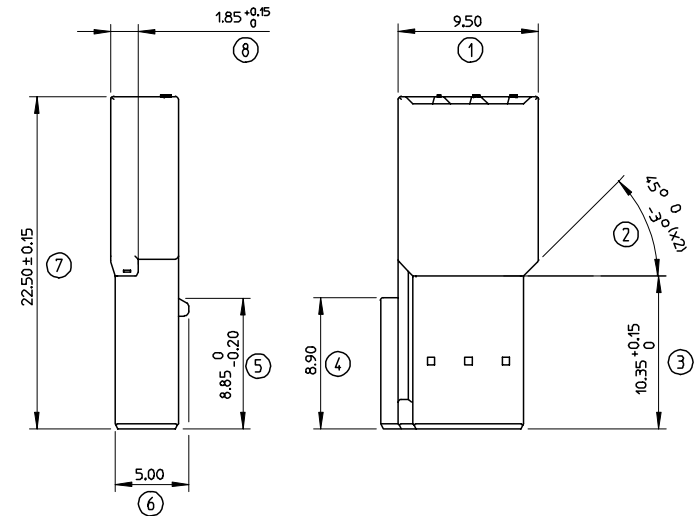
Mates With
 Tyco Interface

Use With
[98194 MOX FFC Terminal](#)



NOTES:

- Application Specification: AS-98197-001
- Material: >PBT-GF15<
- Terminals used: 98194



CODINGS			
WHITE	P/N: 0981970002	BLACK	P/N: 0981970001

<p>First Release EC NO: G2006-0578 DRWN: GDESBRUERES 2006/06/02 CHKD: MANDRE 2006/06/02 APPR: LSTICKEIR 2006/06/06</p>	GENERAL TOLERANCES (UNLESS SPECIFIED)	DIMENSION STYLE	SCALE	DESIGN UNITS	FIRST ANGLE PROJECTION																										
		MM ONLY	3:1	METRIC																											
	<table border="1"> <thead> <tr> <th></th> <th>mm</th> <th>INCH</th> </tr> </thead> <tbody> <tr> <td>4 PLACES</td> <td>± ---</td> <td>± ---</td> </tr> <tr> <td>3 PLACES</td> <td>± ---</td> <td>± ---</td> </tr> <tr> <td>2 PLACES</td> <td>± 0.05</td> <td>± ---</td> </tr> <tr> <td>1 PLACE</td> <td>± 0.1</td> <td>± ---</td> </tr> </tbody> </table>		mm	INCH	4 PLACES	± ---	± ---	3 PLACES	± ---	± ---	2 PLACES	± 0.05	± ---	1 PLACE	± 0.1	± ---	<table border="1"> <thead> <tr> <th>DRAWN BY</th> <th>DATE</th> </tr> </thead> <tbody> <tr> <td>G. DESBRUERES</td> <td>2006/05/12</td> </tr> <tr> <th>CHECKED BY</th> <th>DATE</th> </tr> <tr> <td>M. ANDRE</td> <td>2006/05/12</td> </tr> <tr> <th>APPROVED BY</th> <th>DATE</th> </tr> <tr> <td>L. STICKEIR</td> <td>2006/05/12</td> </tr> </tbody> </table>	DRAWN BY	DATE	G. DESBRUERES	2006/05/12	CHECKED BY	DATE	M. ANDRE	2006/05/12	APPROVED BY	DATE	L. STICKEIR	2006/05/12	<p>TITLE</p> <p>CONNECTOR 3CKT FEMALE HOUSING SALES DRAWING</p>	
		mm	INCH																												
4 PLACES	± ---	± ---																													
3 PLACES	± ---	± ---																													
2 PLACES	± 0.05	± ---																													
1 PLACE	± 0.1	± ---																													
DRAWN BY	DATE																														
G. DESBRUERES	2006/05/12																														
CHECKED BY	DATE																														
M. ANDRE	2006/05/12																														
APPROVED BY	DATE																														
L. STICKEIR	2006/05/12																														
	ANGULAR ± 2 °	<p>MATERIAL NO. SEE CHART</p>		<p>DOCUMENT NO. SD-98197-003</p>																											
<p>DRAFT WHERE APPLICABLE MUST REMAIN WITHIN DIMENSIONS</p>		<p>SIZE A3</p>		<p>SHEET NO. 1 OF 1</p>																											