

PLEASE CHECK WWW.MOLEX.COM FOR LATEST PART INFORMATION

Part Number: [0513470600](#)
Status: **Active**
Description: 3.30mm (.130") Pitch Wire-to-Wire Receptacle Housing, Positive Lock, Dual Row, 6 Circuits

Documents:

[Drawing \(PDF\)](#) [RoHS Certificate of Compliance \(PDF\)](#)
[Product Specification PS-51347-001 \(PDF\)](#)

General

Product Family Crimp Housings
 Series [51347](#)
 Product Name N/A

Physical

Circuits (maximum) 6
 Color - Resin Natural
 Gender Female
 Glow-Wire Compliant No
 Lock to Mating Part Yes
 Material - Resin Nylon
 Number of Rows 2
 Packaging Type Bag
 Panel Mount No
 Pitch - Mating Interface (in) 0.130 In
 Pitch - Mating Interface (mm) 3.30 mm
 Polarized to Mating Part Yes
 Stackable No
 Temperature Range - Operating -25°C to +85°C

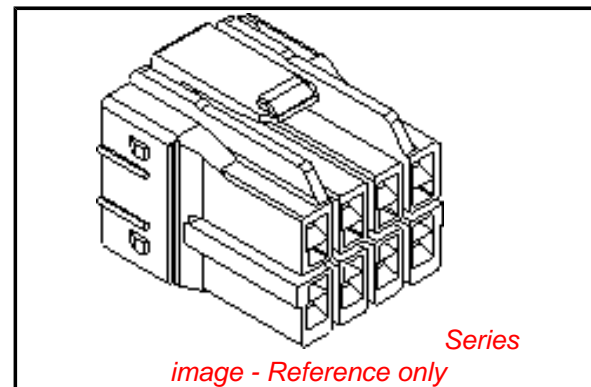
Electrical

Current - Maximum per Contact 4A

Material Info

Reference - Drawing Numbers

Product Specification PS-51347-001, RPS-51284-006, RPS-51347-004, RPS-51347-005, RPS-51347-006, RPS-51347-007
 Sales Drawing SD-51347-002



EU RoHS

ELV and RoHS Compliant
REACH SVHC
Contains SVHC: No
Halogen-Free Status

China RoHS



Need more information on product environmental compliance?

Email productcompliance@molex.com
 For a multiple part number RoHS Certificate of Compliance, [click here](#)

Please visit the [Contact Us](#) section for any non-product compliance questions.

Search Parts in this Series

[51347Series](#)

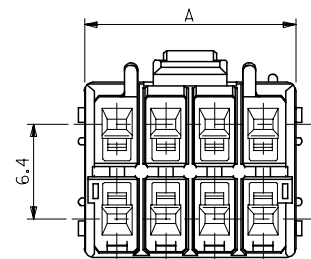
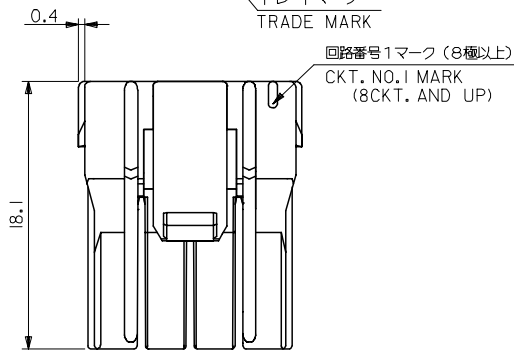
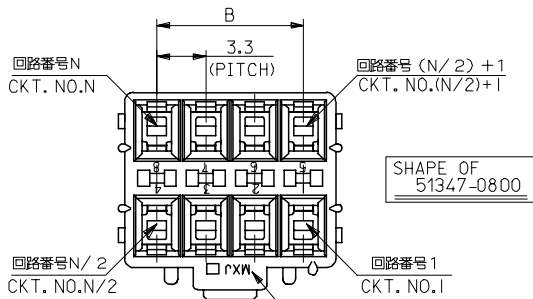
Mates With

[51346-0600](#)

Use With

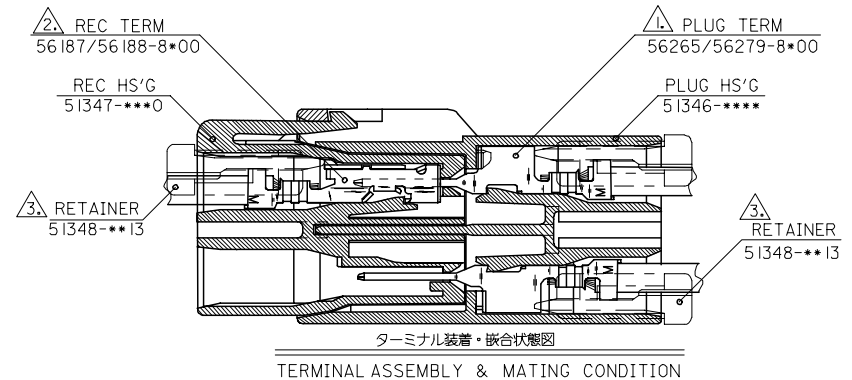
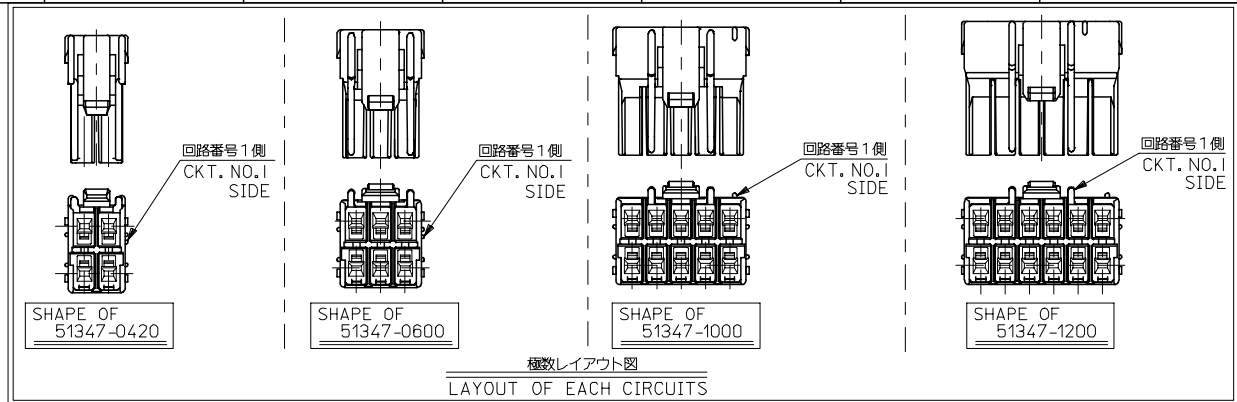
[51348](#) , [56187](#)

本図は2列品を示す
DUAL ROW ASS'Y



注記
NOTES

- △ 適合ターミナル: 56187/56188シリーズ
APPLICABLE TERMINAL : 56187/56188 SERIES
- 2, 嵌合相手 : 51346シリーズ
MATE WITH : 51346 SERIES
- △ 適合リテーナー : 51348-***1* シリーズ
APPLICABLE RETAINER : 51348-***1* SERIES
- 4, 材質 : NYLON66, UL94V-0

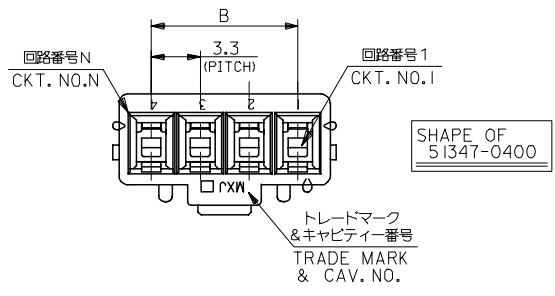


51346-1200	51348-0613	NATURAL	16.5	20.9	12	51347-1200	
-1000	-0513		13.2	17.6	10	-1000	51347-****
-0800	-0413		9.9	14.3	8	-0800	
-0600	-0313		6.6	11	6	-0600	
51346-0420	51348-0213	NATURAL	3.3	7.7	4	51347-0420	
MATE WITH	CONFORMABLE-RETAINER	COLOR	B	A	CKT.	MATERIAL NO.	MODEL NO.

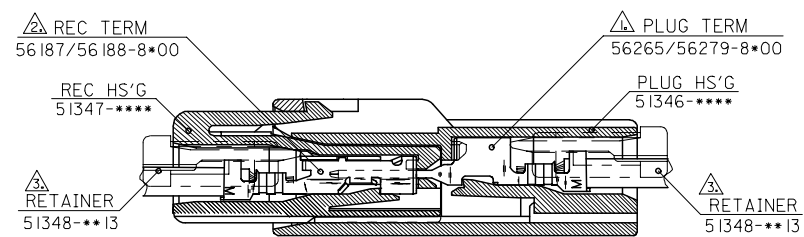
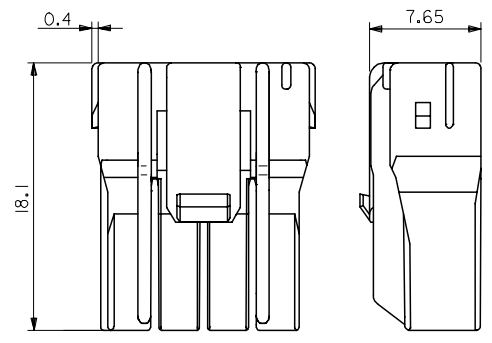
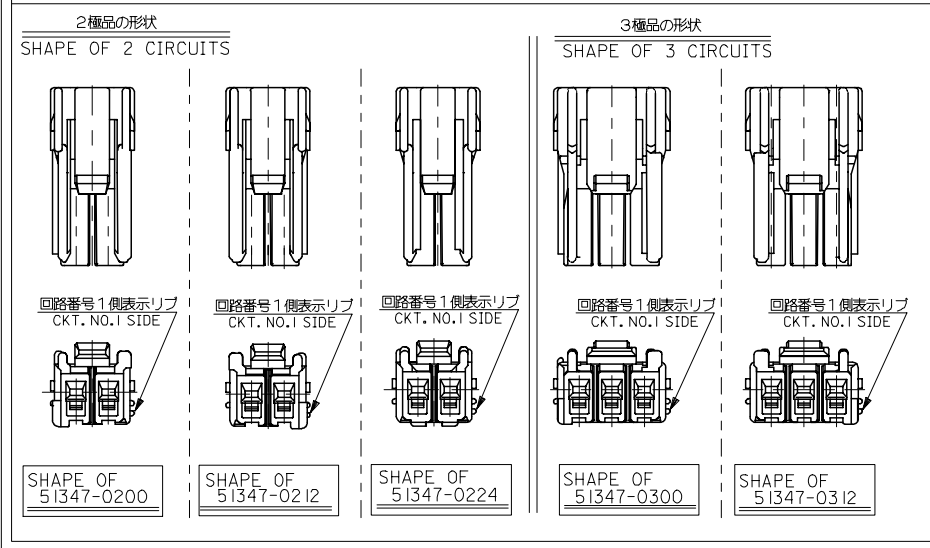
REVISED EC NO: J2008-1833 DRWN: NABEI 2007/11/16 CHKD: THARUYAMA 2007/11/19 APPR: NUKITA 2007/11/20	GENERAL TOLERANCES (UNLESS SPECIFIED)		DIMENSION STYLE MM ONLY		SCALE ---	DESIGN UNIT'S METRIC	THIRD ANGLE PROJECTION
	10 UNDER	±0.2	DRAWN BY T.ODA	DATE '04/01/15	TITLE 3.3 W/W CONN REC HS'G		
	10 OVER 30 UNDER	±0.25	CHECKED BY S. ICHIKAWA	DATE			
	30 OVER	±0.3	APPROVED BY Y. ITO	DATE	MOLEX INCORPORATED		
	ANGULAR	±3 °	MATERIAL NO.	DOCUMENT NO.	SD-51347-002		SHEET NO. 1 OF 2
A	DRAFT WHERE APPLICABLE MUST REMAIN WITHIN DIMENSIONS		SIZE A3		THIS DRAWING CONTAINS INFORMATION THAT IS PROPRIETARY TO MOLEX INCORPORATED AND SHOULD NOT BE USED WITHOUT WRITTEN PERMISSION		

10 9 8 7 6 5 4 3 2 1

本図は1列品を示す
SINGLE ROW ASS'Y

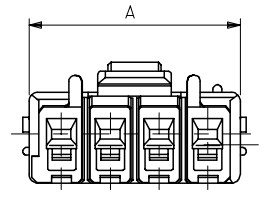


各種形状を下記に参考として示す。
尚、2極及び3極については嵌合間口にて誤嵌合パリエーションを持たせている為組み合わせには注意して下さい。



ターミナル装着・嵌合状態図
TERMINAL ASSEMBLY & MATING CONDITION

- 注記 NOTES
- △ 適合ターミナル : 56265/56279-8*00
APPLICABLE TERMINAL
詳細はSD-56265-001/SD-56279-001参照のこと。
REFERENCE:SD-56265-001/SD-56279-001
 - △ 適合ターミナル : 56187/56188-8*00
APPLICABLE TERMINAL
詳細はSD-56187-002/SD-56188-002参照のこと。
REFERENCE:SD-56187-002/SD-56188-002
 - △ 適合リテーナー : 51348-***13
APPLICABLE RETAINER
詳細はSD-51348-***参照のこと。
REFERENCE:SD-51348-***
 - 4, 材料 : NYLON66, UL94V-0
MATERIAL



51346-0400	51348-0413	NATURAL	9.9	14.3	4	51347-0400	
-0312	-0313	RED	6.6	11	3	-0312	51347-****
-0300	-0313	NATURAL	6.6	11		-0300	
-0224	-0213	BLUE	3.3	7.7		-0224	
-0212	-0213	RED	3.3	7.7	2	-0212	
51346-0200	51348-0213	NATURAL	3.3	7.7		51347-0200	
MATE WITH	CONFORMABLE-RETAINER	COLOR	B	A	CKT.	MATERIAL NO.	MODEL NO.

REVISED EC NO: J2008-1833 DRWN: NABE CHKD: THARUYAMA APPR: NUKITA	DESCRIPTION 2007/11/16 2007/11/19 2007/11/20	GENERAL TOLERANCES (UNLESS SPECIFIED)		DIMENSION STYLE		SCALE		DESIGN UNIT'S		THIRD ANGLE PROJECTION
				MM ONLY		---		METRIC		
		10 UNDER	±0.2	DRAWN BY	DATE	TITLE				
		10 OVER 30 UNDER	±0.25	T.ODA	'04/01/15	3.3W/W CONN REC HS'G				
		30 OVER	±0.3	CHECKED BY	DATE					
		ANGULAR	±3 °	S. ICHIKAWA		MOLEX INCORPORATED				
		DRAFT WHERE APPLICABLE MUST REMAIN WITHIN DIMENSIONS		APPROVED BY	DATE	SD-51347-002		SHEET NO.		
				Y. ITO		SEE TABLE		2 OF 2		
				MATERIAL NO.		DOCUMENT NO.				
				SIZE	A3	THIS DRAWING CONTAINS INFORMATION THAT IS PROPRIETARY TO MOLEX INCORPORATED AND SHOULD NOT BE USED WITHOUT WRITTEN PERMISSION				