

PLEASE CHECK WWW.MOLEX.COM FOR LATEST PART INFORMATION

Part Number: [0191640021](#)
Status: **Active**
Description: Perma-Seal™ Hook Tongue Terminal for 14-16 AWG Wire, Stud Size 10

Documents:

[Drawing \(PDF\)](#) [RoHS Certificate of Compliance \(PDF\)](#)

Agency Certification

CSA LR18689
 UL E32244

General

Product Family Ring and Spade Terminals
 Series [19164](#)
 Crimp Quality Equipment Yes
 Mil-Spec N/A
 Product Name Perma-Seal™
 Type Hook

Physical

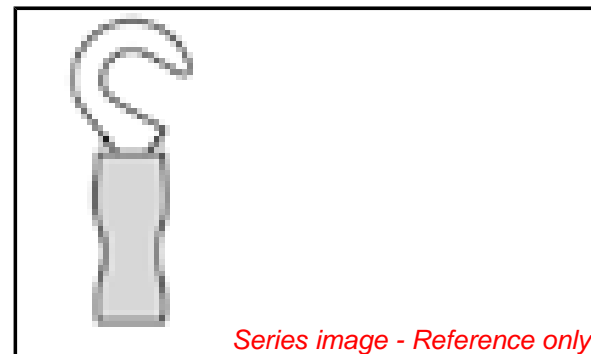
Barrel Type Closed
 Flammability 94V-2
 Insulation NiAc™
 Material - Plating Mating Tin
 Packaging Type Bag
 Plating min: Mating (µin) 100
 Plating min: Mating (µm) 2.5
 Plating min: Termination (µin) 100
 Plating min: Termination (µm) 2.5
 Stud Size 10 (M5)
 Wire Insulation Diameter 5.97mm (.235")
 Wire Size AWG 14, 16
 Wire Size mm² 1.23 - 1.94

Material Info

Old Part Number SB-219-10

Reference - Drawing Numbers

Sales Drawing SD-19164-002



EU RoHS

ELV and RoHS Compliant
REACH SVHC Contains SVHC: No
Halogen-Free Status
Not Reviewed

China RoHS



Need more information on product environmental compliance?

Email productcompliance@molex.com
 For a multiple part number RoHS Certificate of Compliance, [click here](#)

Please visit the [Contact Us](#) section for any non-product compliance questions.

Search Parts in this Series

[19164Series](#)

Application Tooling | [FAQ](#)

Tooling specifications and manuals are found by selecting the products below. Crimp Height Specifications are then contained in the Application Tooling Specification document.

Global

Description	Product #
Power Crimp Tool Head for Prema-Seal™ Terminals 10-22 AWG	0640057400
Hand Crimp Tool, UL Approved	0640017400

6

5

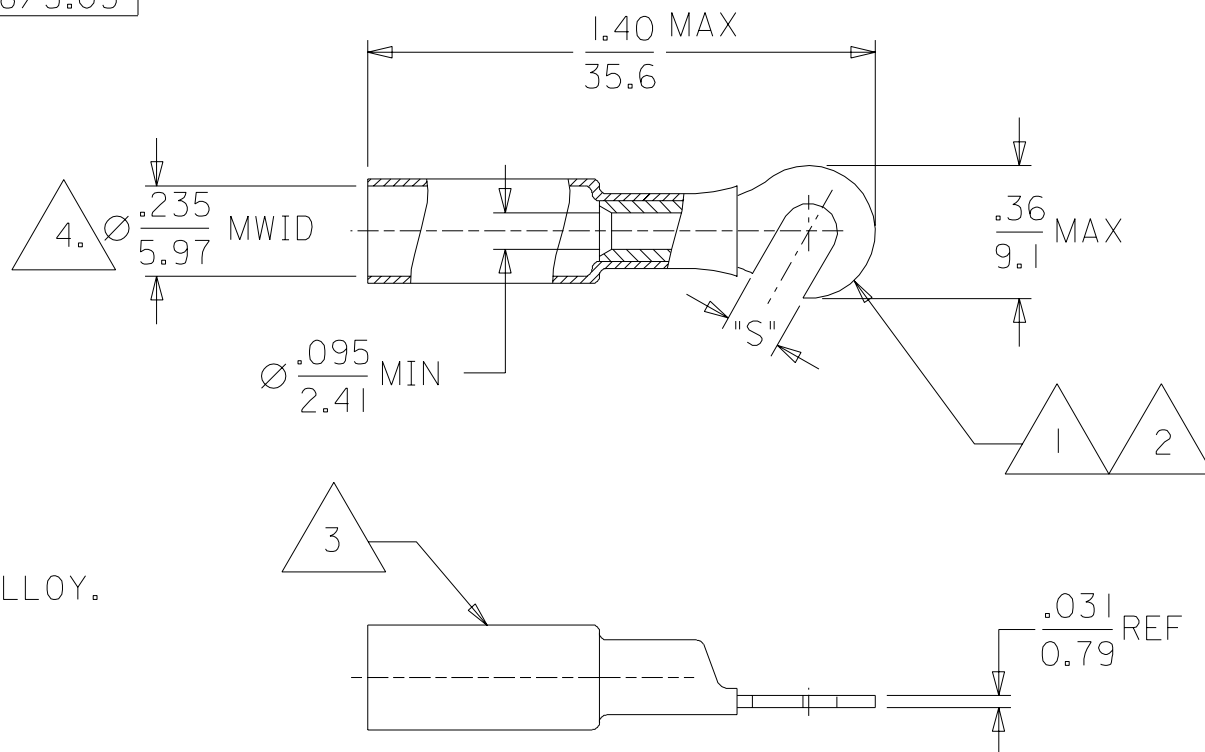
4

3

2

SD-19164-002

MATERIAL NO.	ENGINEERING NO.	"S" REF
191640141	SB-219-06	.146/3.71
191640142	SB-219-08	.173/4.39
191640021	SB-219-10	.198/5.03



NOTES:

1. TERMINAL MATERIAL: COPPER ALLOY.
2. FINISH: ELECTRO TIN PLATE.
3. INSULATOR MATERIAL: HEAT SHRINKABLE TUBING WITH HOTMELT ADHESIVE INNER LINER. COLOR: BLUE
4. MWID = MAXIMUM WIRE INSULATION DIAMETER.

CUSTOMER DRAWING

NEW RELEASE		EC NO. ETC2003-0071		DRWN: BRE 02/11/16		CHK: HEB 02/11/16		APPR: RWD 02/11/16		QUALITY SYMBOLS		GENERAL TOLERANCES: (UNLESS SPECIFIED)		SCALE 2:1		DESIGN UNITS		DIMENSIONS:		SHT		REV	
DESCRIPTION		MAJOR		CRITICAL		mm		INCH		DRAWN BY & DATE		CHECKED BY & DATE		APPROVED BY & DATE		CAD FILENAME		MATERIAL NO.		DRAWING NO.		SHEET NO.	
B		=0		=0		±0.		±.		BRE 02/09/05		HEB 02/09/05		RWD 02/09/05		19164002 DGN		SEE CHART		SD-19164-002		1 OF 1	
REV		ANGULAR: ±1/2°		DRAFT WHERE APPLICABLE MUST REMAIN WITHIN DIMENSIONS		THIS DRAWING CONTAINS INFORMATION THAT IS PROPRIETARY TO MOLEX INCORPORATED AND SHOULD NOT BE USED WITHOUT WRITTEN PERMISSION.		SIZE A															