

PLEASE CHECK WWW.MOLEX.COM FOR LATEST PART INFORMATION

Part Number: [0511420600](#)
Status: **Active**
Description: 6.50mm (.256") Pitch Wire-to-Board Receptacle Housing, 6 Circuits

Documents:

| | |
|--|--|
| 3D Model | Product Specification PS-51142-003 (PDF) |
| Drawing (PDF) | RoHS Certificate of Compliance (PDF) |
| Product Specification PS-51142-002 (PDF) | |

Agency Certification

| | |
|-----|-----------|
| CSA | LR19980 |
| TUV | R72081037 |
| UL | E29179 |

General

| | |
|----------------|-----------------------|
| Product Family | Crimp Housings |
| Series | 51142 |
| Product Name | N/A |

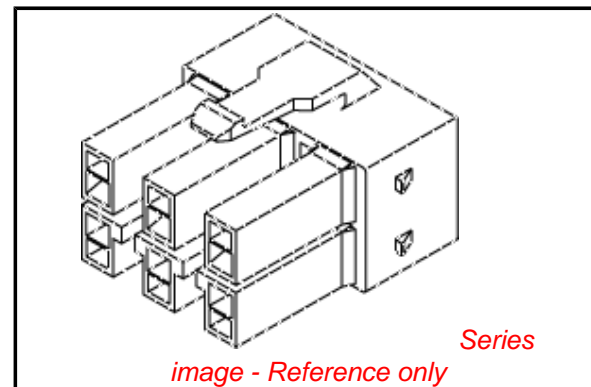
Physical

| | |
|-------------------------------|-----------------|
| Circuits (maximum) | 6 |
| Color - Resin | Natural |
| Flammability | 94V-0 |
| Gender | Female |
| Glow-Wire Compliant | No |
| Material - Resin | Polyester |
| Number of Rows | 2 |
| Packaging Type | Bag |
| Panel Mount | No |
| Pitch - Mating Interface (in) | 0.256 In |
| Pitch - Mating Interface (mm) | 6.50 mm |
| Stackable | No |
| Temperature Range - Operating | -40°C to +105°C |

Material Info

Reference - Drawing Numbers

| | |
|-----------------------|--|
| Product Specification | PS-51142-002, PS-51142-003, RPS-51142-001, RPS-51142-002, RPS-51142-003, RPS-51142-004, RPS-51142-005, RPS-51142-006, RPS-51142-007, RPS-51142-008 |
| Sales Drawing | SD-51142-**00 |



EU RoHS

ELV and RoHS Compliant
REACH SVHC Contains SVHC: No
Halogen-Free Status

China RoHS



Not Halogen-Free

Need more information on product environmental compliance?

Email productcompliance@molex.com
 For a multiple part number RoHS Certificate of Compliance, [click here](#)

Please visit the [Contact Us](#) section for any non-product compliance questions.

Search Parts in this Series

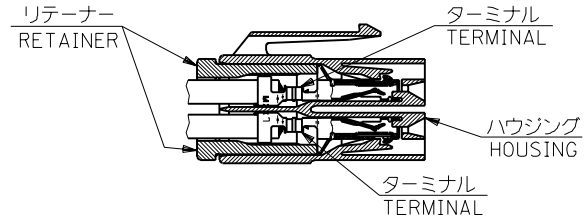
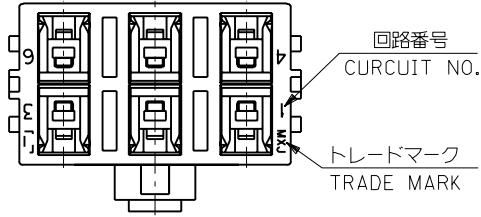
[51142Series](#)

Mates With

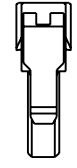
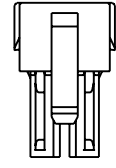
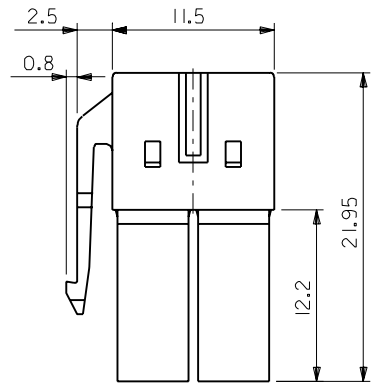
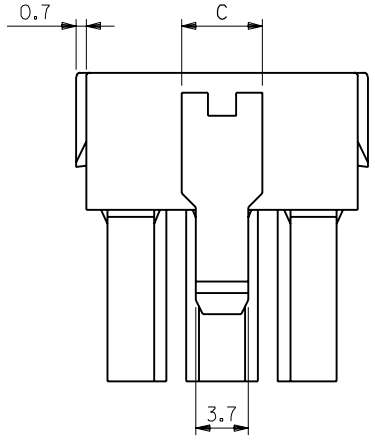
[53721](#) , [53728](#)

Use With

[50597](#) , [51143](#) , [50598](#)



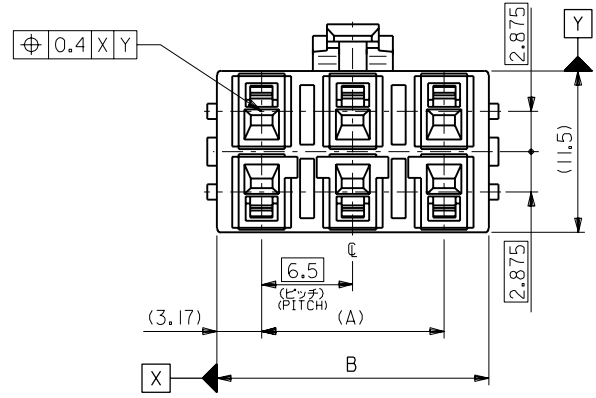
ターミナル及びリテーナー装着状態図
TERMINAL & RETAINER ASSEMBLY DRAWING



ロック形状図
LOCK CONFIGURATION

注記
NOTES

- 適合ターミナル : 50597, 50598
APPLICABLE TERMINAL : 50597 , 50598
- 適合リテーナー : 51143
APPLICABLE RETAINER : 51143
- 嵌合相手 : 53721, 53728 シリーズ
MATE WITH : 53721, 53728 SERIES



| | | | | |
|-----|-------|-----|------------|------------|
| 5.7 | 19.34 | 13 | 51142-0600 | 6 |
| 3.7 | 12.84 | 6.5 | 51142-0400 | 4 |
| 5.7 | 6.34 | — | 51142-0200 | 2 |
| C | B | A | ENG. NO. | 極致 CKT. |

| | | | | | |
|----------------------------|-------|-----------|----------------------------|-------------|------------|
| 角度 ANGLE | +3° | C | 変更 REVISED (JC70283) | T.A Y.A | 96/09/09 |
| 30以上 OVER | +0.3 | B | 変更 REVISED (JC60733) | H.F M.F | 96/04/11 |
| 10以上 30未満 OVER UNDER | +0.25 | A | 変更 REVISED (JC60546) | H.F H.H | 96/02/08 |
| 10未満 UNDER | +0.2 | O | 新規作成 PROPOSED (JC60393) | S.M H.H | 95/12/15 |
| 一般公差 GENERAL TOLERANCES | | 記号 LTR | 変更内容 REVISION RECORD | DR. CHK. | 日付 DATE |

| | |
|----------------------|---|
| 材料 MATERIAL | PBTP, UL94V-0 (色 : 自然色) (COLOR : NATURAL) |
| 仕上げ FINISH | — |
| 適用電線範囲 WIRE RANGE | — |
| 被覆外径 INS. RANGE | — |
| DRAWN BY | '95/12/15 CHK'D BY '96/09/09 |
| APP'D BY | '96/09/09 尺度 |
| M.FUKUSHIMA | SCALE |

| | |
|---|----------|
| molex MOLEX-JAPAN CO.,LTD. 日本モレックス株式会社 | |
| REVISE ONLY ON CAD SYSTEM | |
| TITLE 名称 6.5 WIRE TO BOARD CONN. RECEPTACLE HOUSING | |
| DWG. NO. SD-51142-***00 | REV C |