

**PLEASE CHECK WWW.MOLEX.COM FOR LATEST PART INFORMATION**

**Part Number:** **0906632403**  
**Status:** **Active**  
**Description:** 2.54mm (.100") Pitch QF-50™ Vertical, MIL Keying with Latch/Eject Levers, Shrouded Header, 40 Circuits

**Documents:**

[3D Model](#) [Product Specification PS-99020-0015 \(PDF\)](#)  
[Drawing \(PDF\)](#) [RoHS Certificate of Compliance \(PDF\)](#)

**Agency Certification**

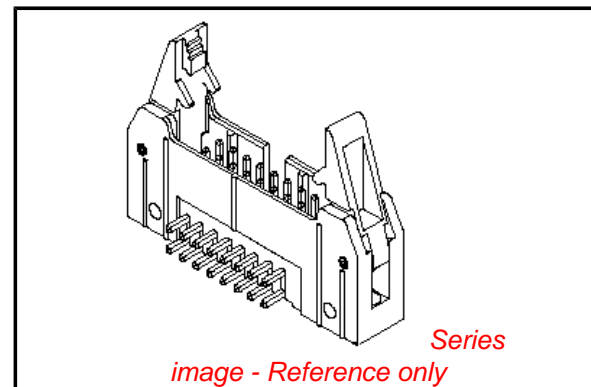
CSA LR19980  
 UL E29179

**General**

Product Family Ribbon Cable / Wire Trap Connectors  
 Series [90663](#)  
 Comments Eject Levers  
 Component Type PCB Header  
 Glow-Wire Compliant No  
 Product Name QF-50™

**Physical**

Circuits (Loaded) 40  
 Color - Resin Black  
 Durability (mating cycles max) 300  
 Entry Angle Vertical  
 Flammability 94V-0  
 Lock to Mating Part None  
 Material - Metal Brass  
 Material - Plating Mating Gold  
 Material - Plating Termination Tin  
 Material - Resin Polyester  
 Number of Rows 2  
 PCB Locator No  
 PCB Retention None  
 PCB Thickness Recommended (in) 0.063 In  
 PCB Thickness Recommended (mm) 1.60 mm  
 Packaging Type Tray  
 Pitch - Mating Interface (in) 0.100 In  
 Pitch - Mating Interface (mm) 2.54 mm  
 Pitch - Term. Interface (in) 0.100 In  
 Pitch - Term. Interface (mm) 2.54 mm  
 Plating min: Mating (µin) 10  
 Plating min: Mating (µm) 0.25  
 Plating min: Termination (µin) 118  
 Plating min: Termination (µm) 3  
 Polarized to PCB No  
 Shrouded Fully  
 Stackable No  
 Surface Mount Compatible (SMC) No  
 Temperature Range - Operating -25°C to +85°C  
 Termination Interface: Style Through Hole  
 Wire Insulation Diameter N/A  
 Wire Size AWG N/A  
 Wire/Cable Type Ribbon Cable



**EU RoHS**

**ELV and RoHS  
Compliant**  
**REACH SVHC**  
 Not Reviewed  
**Halogen-Free  
Status**  
**Not Reviewed**

**China RoHS**



**Need more information on product  
environmental compliance?**

Email [productcompliance@molex.com](mailto:productcompliance@molex.com)  
 For a multiple part number RoHS Certificate of Compliance, [click here](#)

Please visit the [Contact Us](#) section for any non-product compliance questions.

**Search Parts in this Series**

90663Series

**Mates With**

**Electrical**

Current - Maximum per Contact  
Voltage - Maximum

1A  
250V AC/DC

**Solder Process Data**

Lead-free Process Capability

Wave Capable (TH only)

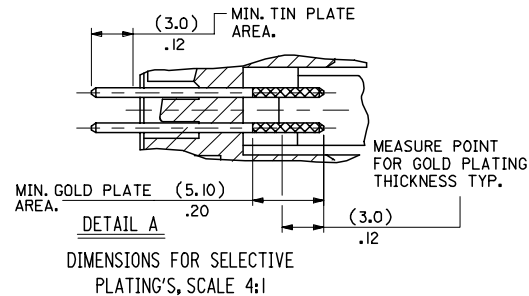
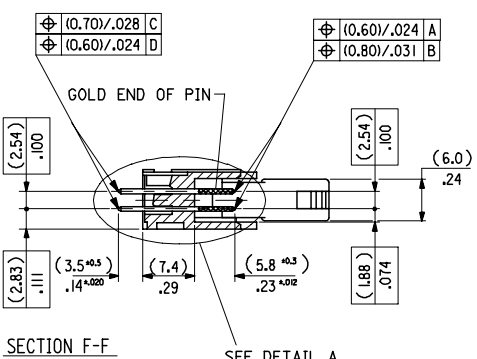
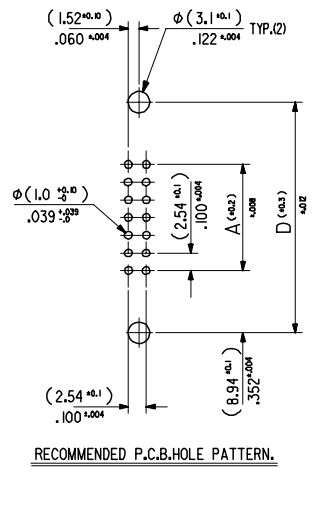
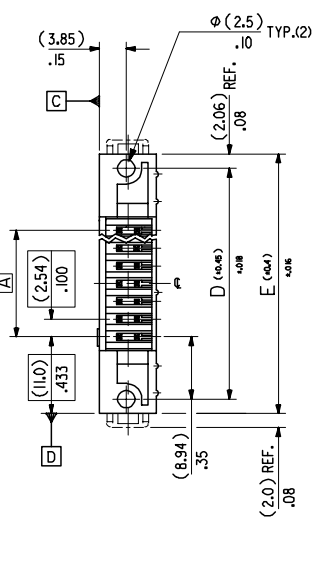
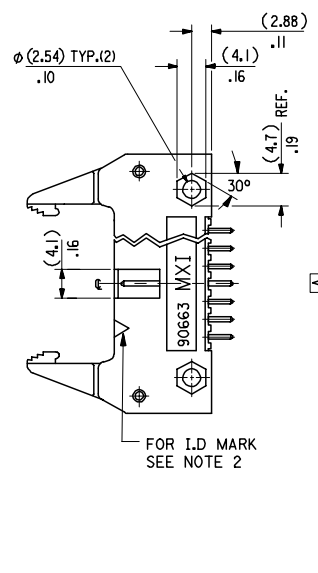
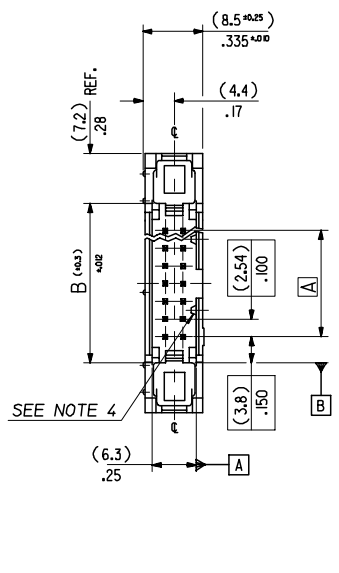
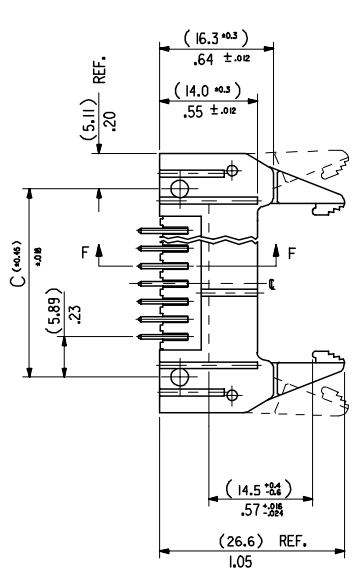
**Material Info****Reference - Drawing Numbers**

Product Specification  
Sales Drawing

PS-99020-0015  
SDA-90663E

This document was generated on 03/16/2010

**PLEASE CHECK [WWW.MOLEX.COM](http://WWW.MOLEX.COM) FOR LATEST PART INFORMATION**



(78.74)/3.100	(86.34)/3.400	(90.52)/3.564	(96.62)/3.804	(100.74)/3.966	90663-2643	64
(60.69)/2.400	(68.56)/2.700	(72.74)/2.864	(78.84)/3.104	(82.96)/3.266	90663-2503	50
(48.26)/1.900	(55.86)/2.200	(60.04)/2.364	(66.14)/2.604	(70.26)/2.766	90663-2403	40
(35.56)/1.400	(43.16)/1.700	(47.34)/1.864	(53.44)/2.104	(57.56)/2.266	90663-2303	30
(30.48)/1.200	(38.08)/1.500	(42.26)/1.664	(48.36)/1.904	(52.48)/2.066	90663-2263	26
(22.86)/.900	(30.46)/1.200	(34.64)/1.364	(40.74)/1.604	(44.86)/1.766	90663-2203	20
(17.78)/.700	(25.38)/1.000	(29.56)/1.164	(35.66)/1.404	(39.78)/1.566	90663-2163	16
(15.24)/.600	(22.84)/.900	(27.02)/1.064	(33.12)/1.304	(37.24)/1.466	90663-2143	14
(10.16)/.400	(17.76)/.700	(21.94)/.864	(28.04)/1.104	(32.16)/1.266	90663-2103	10
A	B	C	D	E	ENG. NO. GS3 PLATING	NO. OF CKTS.

- NOTES**
- MATERIAL  
HEADER : GLASS FILLED POLYESTER (UL 94V0), COLOUR - BLACK.  
PINS : COPPER ALLOY P SIZE (0.635)/.025  
LEVER : GLASS FILLED POLYESTER (UL 94V0), COLOUR - BLACK.
  - COLOUR IDENTIFICATION MARK FOR PLATING OPTIONS.  
90663-2\*\*3, (1um)/.039uin MIN. NICKEL UNDERPLATE, CONTACT AREA  
GS3 PLATING (0.25um)/.010uin MIN. GOLD, SOLDER AREA (3um)/.118uin MIN. TIN. COLOUR MARK: BLUE.
  - PRODUCT SPECIFICATION NO. : PS-99020-0015
  - THIS RIB IS NOT PRESENT ON 10 & 14 CKT PARTS
  - RECOMMENDED PCB THICKNESS 1.6mm

ADDED NOTE 5  
EC NO. E2008-0129  
DRAWN BY: BRINES 2007/09/13  
CHKD: 2007/09/13  
APPR: EOMAHONY 2007/09/14

QUALITY SYMBOLS	GENERAL TOLERANCES (UNLESS SPECIFIED)	
	mm	INCH
▽=0	4 PLACES ± ---	± ---
▽=0	3 PLACES ± ---	± .008
	2 PLACES ± 0.20	± .008
	1 PLACE ± 0.20	± ---
	ANGULAR ± 2 °	

DIMENSION STYLE		SCALE	DESIGN UNITS	THIRD ANGLE PROJECTION
MM/IN		2:1	METRIC	☉
DRAWN BY	DATE	TITLE		
CPHEHIR	2000/09/15	QF50 SRD HDR VT SRF W/ELV .25AU		
CHECKED BY	DATE	MOLEX INCORPORATED		
ROCONNOR	2000/09/15	MATERIAL NO. DOCUMENT NO.		
APPROVED BY	DATE	SDA-90663E		
MWILHITE	2000/09/15	SHEET NO. 5 OF 9		

DRAFT WHERE APPLICABLE MUST REMAIN WITHIN DIMENSIONS

SEE CHART

THIS DRAWING CONTAINS INFORMATION THAT IS PROPRIETARY TO MOLEX INCORPORATED AND SHOULD NOT BE USED WITHOUT WRITTEN PERMISSION