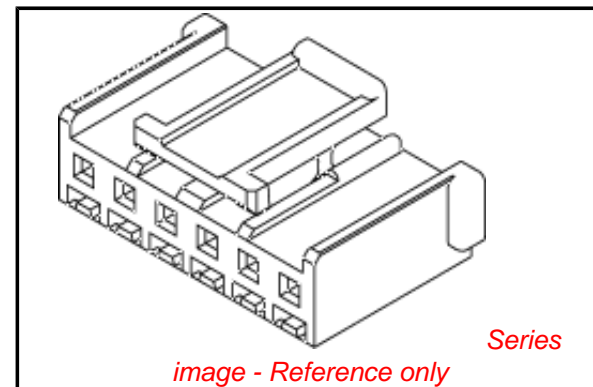


**PLEASE CHECK WWW.MOLEX.COM FOR LATEST PART INFORMATION**

**Part Number:** **0511031100**  
**Status:** **Active**  
**Description:** 2.50mm (.098") Pitch Wire-to-Wire and Wire-to-Board Housing, Positive Lock, 11 Circuits

**Documents:**

|  |  |
|--|--|
| <a href="#">3D Model</a>                                 | <a href="#">Product Specification PS-51103-007 (PDF)</a> |
| <a href="#">Drawing (PDF)</a>                            | <a href="#">Product Specification PS-51103-024 (PDF)</a> |
| <a href="#">Product Specification PS-51103-001 (PDF)</a> | <a href="#">Product Specification PS-51103-026 (PDF)</a> |
| <a href="#">Product Specification PS-51103-002 (PDF)</a> | <a href="#">Product Specification PS-51103-027 (PDF)</a> |
| <a href="#">Product Specification PS-51103-005 (PDF)</a> | <a href="#">Product Specification PS-51198-003 (PDF)</a> |
| <a href="#">Product Specification PS-51103-006 (PDF)</a> | <a href="#">RoHS Certificate of Compliance (PDF)</a>     |



**Agency Certification**

|     |           |
|-----|-----------|
| CSA | LR19980   |
| TUV | R72081037 |
| UL  | E29179    |

**General**

|                |                |
|----------------|----------------|
| Product Family | Crimp Housings |
| Series         | <u>51103</u>   |
| Product Name   | N/A            |

**Physical**

|                               |                 |
|-------------------------------|-----------------|
| Circuits (maximum)            | 11              |
| Color - Resin                 | Natural         |
| Flammability                  | 94V-0           |
| Gender                        | Female          |
| Glow-Wire Compliant           | No              |
| Material - Resin              | Polyester       |
| Number of Rows                | 1               |
| Packaging Type                | Bag             |
| Panel Mount                   | No              |
| Pitch - Mating Interface (in) | 0.098 In        |
| Pitch - Mating Interface (mm) | 2.50 mm         |
| Stackable                     | No              |
| Temperature Range - Operating | -40°C to +105°C |

**Material Info**

**Reference - Drawing Numbers**

|                         |  |
|-------------------------|--|
| Packaging Specification | SPK-51103-001  |
| Product Specification   | PS-51103-001, PS-51103-002, PS-51103-005, PS-51103-006, PS-51103-007, PS-51103-024, PS-51103-026, PS-51103-027, PS-51198-003, RPS-51103-001, RPS-51103-003, RPS-51103-009, RPS-51103-010, RPS-51103-011, RPS-51103-012, RPS-51103-018, RPS-51103-021, RPS-51103-022, RPS-51103-028, RPS-51103-030, RPS-51103-031, RPS-51103-032, RPS-51103-033, RPS-51103-034, RPS-51103-039, RPS-51103-041, RPS-51103-043, RPS-51103-044, RPS-51103-046, RPS-51103-047, RPS-51103-049, RPS-51103-050, RPS-51103-051, RPS-51103-056, RPS-51103-057, RPS-53375-001 SD-51103-020, SD-51103-021, SD-51103-023 |
| Sales Drawing           |  |

**EU RoHS**

**ELV and RoHS Compliant**  
**REACH SVHC Contains SVHC: No**  
**Halogen-Free Status**

**China RoHS**



**Not Reviewed**

**Need more information on product environmental compliance?**

Email [productcompliance@molex.com](mailto:productcompliance@molex.com)  
 For a multiple part number RoHS Certificate of Compliance, [click here](#)

Please visit the [Contact Us](#) section for any non-product compliance questions.

**Search Parts in this Series**

51103Series

**Mates With**

51198 , 53375 , 53426 , 53517 , 53608

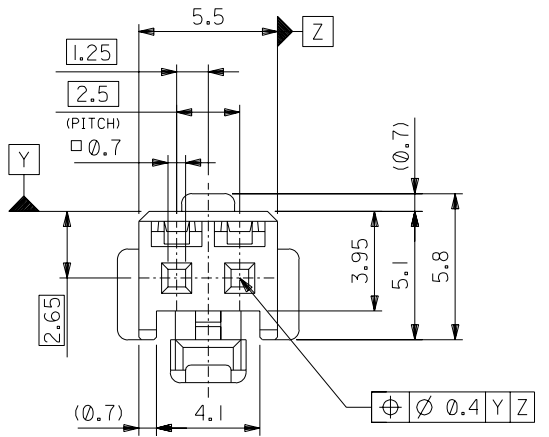
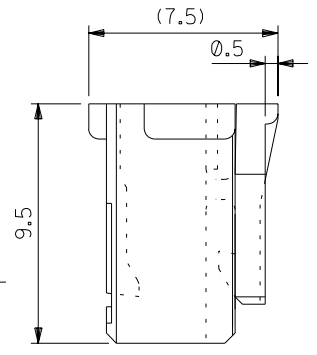
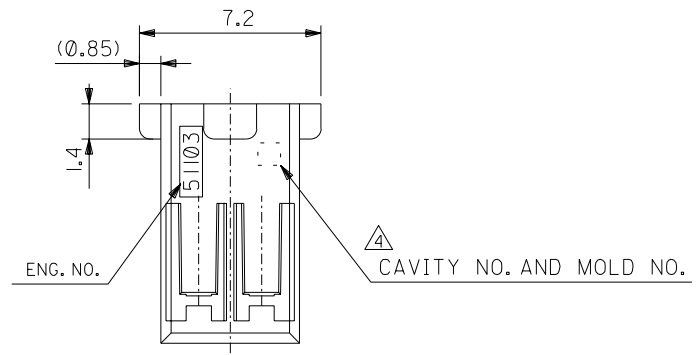
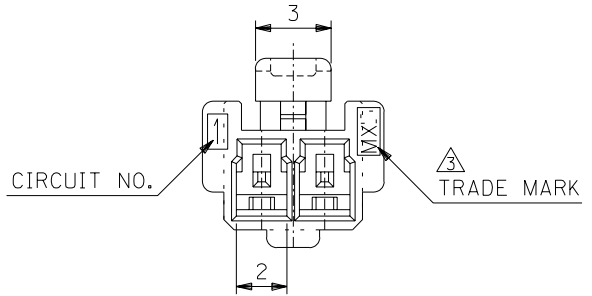
**Use With**

50351 , 50752

This document was generated on 05/24/2010

**PLEASE CHECK [WWW.MOLEX.COM](http://WWW.MOLEX.COM) FOR LATEST PART INFORMATION**

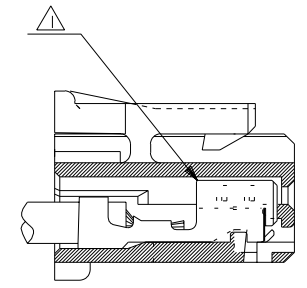
DWG. NO. SD-51103-020



注記 NOTES

- △ 適合ターミナル：50351-8\*00  
APPLICABLE TERMINAL：50351-8\*00
- 2. 嵌合相手：53464 シリーズ  
MATE WITH：53464 SERIES.
- △ MX Jと表示。  
INDICATE MXJ.
- △ キャビティー番号：1桁～2桁の数字  
金型番号：アルファベット1文字にて構成。(例. 1A, 10B)  
FORMED BY 1 DIGIT TO 2 DIGIT NUMBERS (TO CAVITY NO.)  
AND BY 1 LETTER OF ALPHABET (TO MOLD NO.).  
(e.g. 1A, 10B)
- 5. 製品番号の末尾は製品の色を示す  
LAST NUMBER OF DWG.NO. MEANS PART COLLER.

51103-\*\*25  
色番号 COLLER CODE  
5 蛍光灰色 GRAY



ターミナル装着状態図  
TERMINAL ASSEMBLY DRAWING

|              |                |
|--------------|----------------|
| 51103-0225   | 2              |
| MATERIAL NO. | NO. OF CIRCUIT |

|                             |                               |                                  |                            |
|-----------------------------|-------------------------------|----------------------------------|----------------------------|
| DIMENSIONS:                 |                               | SHT                              | REV                        |
| <input type="checkbox"/> mm | <input type="checkbox"/> INCH | <input type="checkbox"/> mm ONLY | <input type="checkbox"/> 2 |
|                             |                               | PROJECTION ON CAD ONLY           |                            |

|                      |                               |                               |                               |                               |   |  |  |  |  |  |
|----------------------|-------------------------------|-------------------------------|-------------------------------|-------------------------------|---|--|--|--|--|--|
| DO NOT SCALE DRAWING | ① 64 NO.<br>DRWN: CH'K: APPR: | ② 63 NO.<br>DRWN: CH'K: APPR: | ③ 62 NO.<br>DRWN: CH'K: APPR: | ④ 61 NO.<br>DRWN: CH'K: APPR: | RELEASED '02/11/22<br>⑤ 60 NO. J2003-1451<br>DRWN: N.IITO<br>CH'K: K.ASAKAWA<br>APPR: T.YAMAGUCHI | MATERIAL 材料<br>POLYBUTYLENE TEREPHTHALATE<br>UL94V-0 | GENERAL TOLERANCES: (UNLESS SPECIFIED) 一般公差<br>10 UNDER 未満 ±0.2<br>10 OVER 以上 30 UNDER 未満 ±0.25<br>30 OVER 以上 ±0.3<br>ANGLE 角度 ±3° | SCALE 5 : 1<br>DESIGN UNITS <input checked="" type="checkbox"/> mm <input type="checkbox"/> INCH<br>DRAWN BY & DATE N.IITO '02/11/22<br>CHECKED BY & DATE K.ASAKAWA '02/11/22<br>APPROVED BY & DATE T.YAMAGUCHI '02/11/22<br>CAD FILENAME SD-51103-020.S01 | TITLE: 2.5 WIRE TO BOARD CONN. HOUSING (POSITIVE LOCK)<br>MOLEX MOLEX INCORPORATED | DIMENSIONS: <input type="checkbox"/> mm <input type="checkbox"/> INCH <input checked="" type="checkbox"/> mm ONLY<br>PROJECTION <input checked="" type="checkbox"/> FIRST ANGLE <input type="checkbox"/> THIRD ANGLE<br>MATERIAL NO. SEE CHART<br>DRAWING NO. SD-51103-020<br>SHEET NO. 1 OF 1 |
|                      |                               |                               |                               |                               |   | FINISH 仕上げ #   |  |  |  |  |
|                      |                               |                               |                               |                               |   | WIRE RANGE 適用線径範囲 #                                  |  |  |  |  |
|                      |                               |                               |                               |                               |   | INS. RANGE 被覆外径 #                                    |  |  |  |  |

10

9

8

7

6

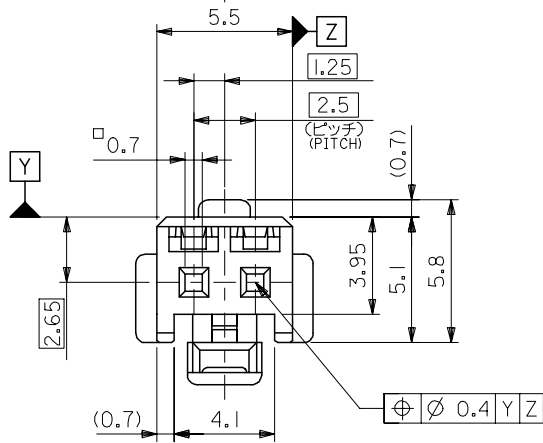
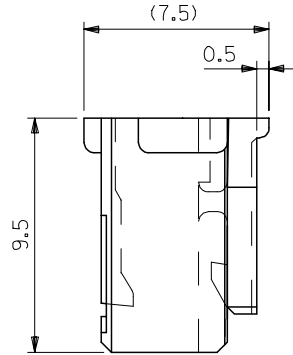
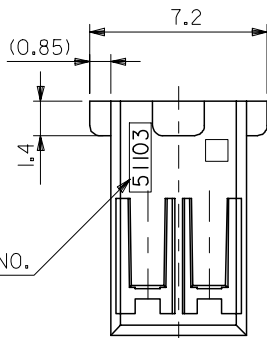
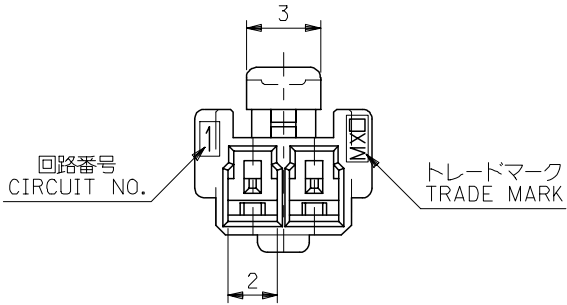
5

4

3

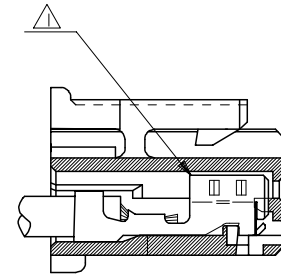
2

1



注記 NOTES

- △ 適合ターミナル：5035I-8\*00  
APPLICABLE TERMINAL：5035I-8\*00
- 2. 嵌合相手：53375,53426 シリーズ  
MATE WITH：53375,53426 SERIES
- △ 偶数極の製品に適用。  
APPLY EVEN CIRCUIT PRODUCTS.
- 4. 製品型番の下1桁は色を表す。  
LAST DIGIT OF PART NUMBER INDICATES COLOR.  
0：白 WHITE    1：黒 BLACK    2：赤 RED  
3：黄 YELLOW    4：青 BLUE



ターミナル装着状態図  
TERMINAL ASSEMBLY DRAWING

2極に適用  
FOR 2 CKTS.

|              |         |
|--------------|---------|
| 51103-020*   | 2       |
| MATERIAL NO. | CIRCUIT |

|   |  |       |                            |  |   |                        |  |  |
|---|--|-------|----------------------------|--|---|------------------------|--|--|
| RELEASED<br>EC NO: J2005-2009<br>DRAWN: M.UMEDA 2005/02/02<br>CHKD: K.TOYODA 2005/02/04<br>APPR: N.UKITA 2005/02/14 | GENERAL TOLERANCES (UNLESS SPECIFIED)                      |       | DIMENSION STYLE<br>MM ONLY |  | SCALE<br>---  | DESIGN UNITS<br>METRIC | THIRD ANGLE PROJECTION                         |  |
|   | 10 UNDER   | ±0.2  | DRAWN BY<br>M.UMEDA        |  | DATE<br>2005/01/14  |                        | TITLE<br>2.5 W/B CONN. HOUSING (POSITIVE LOCK) |  |
|   | 10 OVER 30 UNDER   | ±0.25 | CHECKED BY<br>K.TOYODA     |  | DATE<br>2005/01/14  |                        | MOLEX INCORPORATED                             |  |
|   | 30 OVER  | ±0.3  | APPROVED BY<br>N.UKITA     |  | DATE<br>2005/01/14  |                        | DOCUMENT NO.<br>SD-51103-021                   |  |
|   | ANGULAR  | ±3 °  | MATERIAL NO.               |  | SEE CHART   |                        | SHEET NO.<br>1 OF 2                            |  |
| 0   | DRAFT WHERE APPLICABLE<br>MUST REMAIN<br>WITHIN DIMENSIONS |       | SIZE<br>A3                 |  | THIS DRAWING CONTAINS INFORMATION THAT IS PROPRIETARY TO MOLEX INCORPORATED AND SHOULD NOT BE USED WITHOUT WRITTEN PERMISSION |                        |  |  |

9

8

7

6

5

4

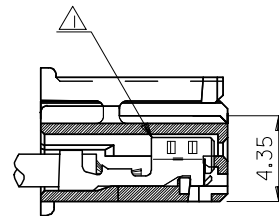
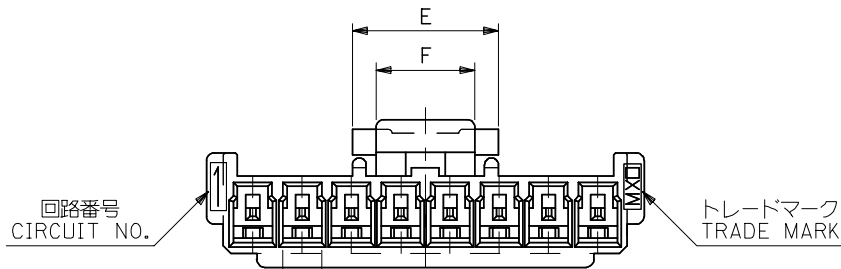
3

2

10 9 8 7 6 5 4 3 2 1

F

F



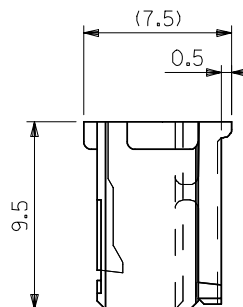
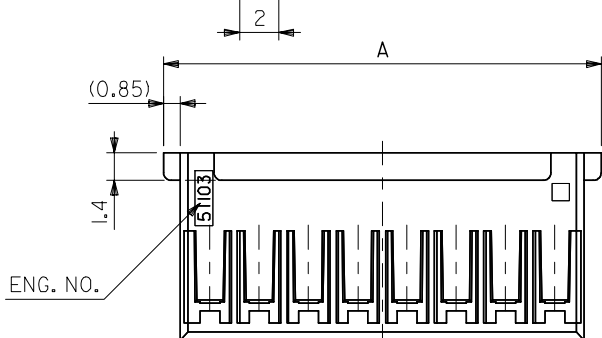
ターミナル装着状態図  
TERMINAL ASSEMBLY DRAWING

注記 NOTES

- △ 適合ターミナル：5035I-8\*00  
APPLICABLE TERMINAL：5035I-8\*00
- 2. 嵌合相手：53375,53426 シリーズ  
MATE WITH：53375,53426 SERIES
- △ 偶数極の製品に適用。  
APPLY EVEN CIRCUIT PRODUCTS.
- 4. 製品型番の下1桁は色を表す。  
LAST DIGIT OF PART NUMBER INDICATES COLOR.  
0：白 WHITE    1：黒 BLACK    2：赤 RED  
3：黄 YELLOW    4：青 BLUE

E

E



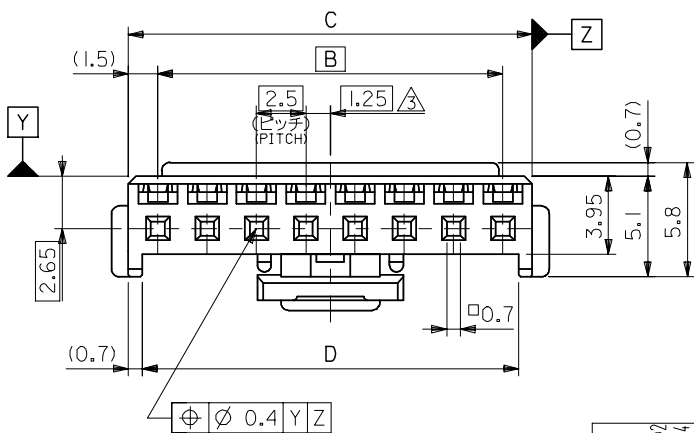
3-15 極に適用  
FOR 3-15 CKTS.

D

D

C

C



|   |     |      |      |      |      |              |         |
|---|-----|------|------|------|------|--------------|---------|
| 5 | 7.4 | 36.6 | 38   | 35   | 39.7 | 51103-150*   | 15      |
| ↑ | ↑   | 34.1 | 35.5 | 32.5 | 37.2 | ↑ -140*      | 14      |
|   |     | 31.6 | 33   | 30   | 34.7 | ↑ -130*      | 13      |
|   |     | 29.1 | 30.5 | 27.5 | 32.2 | ↑ -120*      | 12      |
|   |     | 26.6 | 28   | 25   | 29.7 | ↑ -110*      | 11      |
|   |     | 24.1 | 25.5 | 22.5 | 27.2 | ↑ -100*      | 10      |
|   |     | 21.6 | 23   | 20   | 24.7 | ↑ -090*      | 9       |
|   |     | 19.1 | 20.5 | 17.5 | 22.2 | ↑ -080*      | 8       |
|   |     | 16.6 | 18   | 15   | 19.7 | ↑ -070*      | 7       |
|   |     | 14.1 | 15.5 | 12.5 | 17.2 | ↑ -060*      | 6       |
|   |     | 11.6 | 13   | 10   | 14.7 | ↑ -050*      | 5       |
| 5 | 7.4 | 9.1  | 10.5 | 7.5  | 12.2 | ↓ -040*      | 4       |
| 3 | 5   | 6.6  | 8    | 5    | 9.7  | ↓ 51103-030* | 3       |
| F | E   | D    | C    | B    | A    | MATERIAL NO. | CIRCUIT |

B

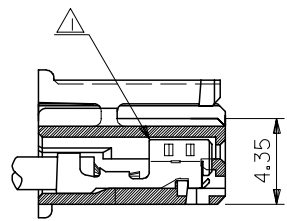
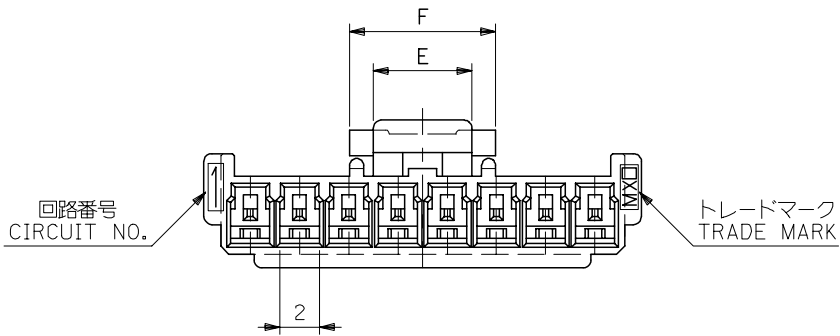
B

A

A

|  |  |       |                            |  |   |  |                        |
|--|--|-------|----------------------------|--|---|--|------------------------|
| RELEASED<br>EC NO: J2005-2009<br>DRAWN: MUMEDA 2005/02/02<br>CHKD: KTOYODA 2005/02/04<br>APPR: NUKITA 2005/02/14 | GENERAL TOLERANCES (UNLESS SPECIFIED)                |       | DIMENSION STYLE<br>MM ONLY |  | SCALE<br>---  | DESIGN UNITS<br>METRIC                         | THIRD ANGLE PROJECTION |
|  | 10 UNDER   | ±0.2  | DRAWN BY<br>M.UMEDA        |  | DATE<br>2005/01/14  | TITLE<br>2.5 W/B CONN. HOUSING (POSITIVE LOCK) |                        |
|  | 10 OVER 30 UNDER                                     | ±0.25 | CHECKED BY<br>KTOYODA      |  | DATE<br>2005/01/14  | MOLEX INCORPORATED                             |                        |
|  | 30 OVER  | ±0.3  | APPROVED BY<br>N. UKITA    |  | DATE<br>2005/01/14  | DOCUMENT NO.<br>SD-51103-021                   | SHEET NO.<br>2 OF 2    |
|  | ANGULAR  | ±3 °  | MATERIAL NO.               |  | SEE CHART   |  |                        |
| 0  | DRAFT WHERE APPLICABLE MUST REMAIN WITHIN DIMENSIONS |       | SIZE<br>A3                 |  | THIS DRAWING CONTAINS INFORMATION THAT IS PROPRIETARY TO MOLEX INCORPORATED AND SHOULD NOT BE USED WITHOUT WRITTEN PERMISSION |  |                        |

10 9 8 7 6 5 4 3 2 1

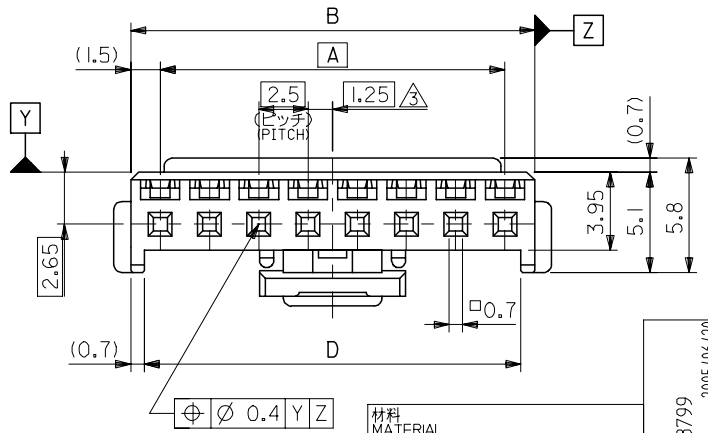
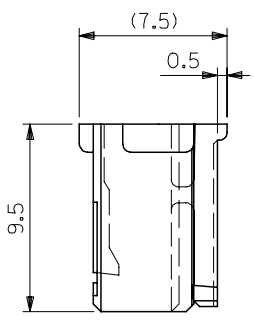
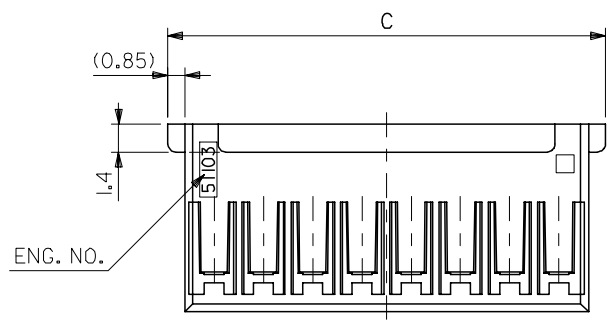


ターミナル装着状態図  
TERMINAL ASSEMBLY DRAWING

注記 NOTES

- △1 適合ターミナル：50351-8\*00  
APPLICABLE TERMINAL：50351-8\*00
- 2. 嵌合相手：53375,53376,53388,53389  
53426 シリーズ  
MATE WITH：53375,53376,53388,53389  
53426 SERIES
- △3 偶数極の製品に適用。  
APPLY EVEN CIRCUIT PRODUCTS.

3-15 極に適用  
FOR 3-15 CKTS.



|     |   |      |      |      |      |              |                |
|-----|---|------|------|------|------|--------------|----------------|
| 7.4 | 5 | 36.6 | 39.7 | 38   | 35   | 51103-1500   | 15             |
| ▲   | ▲ | 34.1 | 37.2 | 35.5 | 32.5 | ▲ -1400      | 14             |
|     |   | 31.6 | 34.7 | 33   | 30   | ▲ -1300      | 13             |
|     |   | 29.1 | 32.2 | 30.5 | 27.5 | ▲ -1200      | 12             |
|     |   | 26.6 | 29.7 | 28   | 25   | ▲ -1100      | 11             |
|     |   | 24.1 | 27.2 | 25.5 | 22.5 | ▲ -1000      | 10             |
|     |   | 21.6 | 24.7 | 23   | 20   | ▲ -0900      | 9              |
|     |   | 19.1 | 22.2 | 20.5 | 17.5 | ▲ -0800      | 8              |
|     |   | 16.6 | 19.7 | 18   | 15   | ▲ -0700      | 7              |
|     |   | 14.1 | 17.2 | 15.5 | 12.5 | ▲ -0600      | 6              |
|     |   | 11.6 | 14.7 | 13   | 10   | ▲ -0500      | 5              |
| 7.4 | 5 | 9.1  | 12.2 | 10.5 | 7.5  | ▼ -0400      | 4              |
| 5   | 3 | 6.6  | 9.7  | 8    | 5    | 51103-0300   | 3              |
| F   | E | D    | C    | B    | A    | MATERIAL NO. | 極数 NO. OF CKT. |

|                   |                          |
|-------------------|--------------------------|
| 材料 MATERIAL       | PBTP, UL94V-0 (白色 WHITE) |
| 仕上げ FINISH        | -                        |
| 適用電線範囲 WIRE RANGE | -                        |
| 被覆外径 INS. RANGE   | -                        |

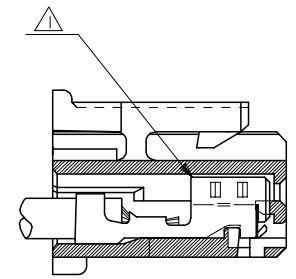
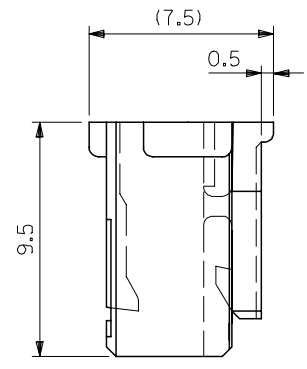
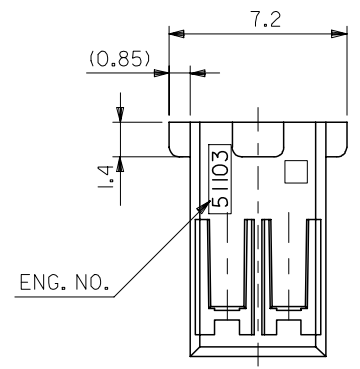
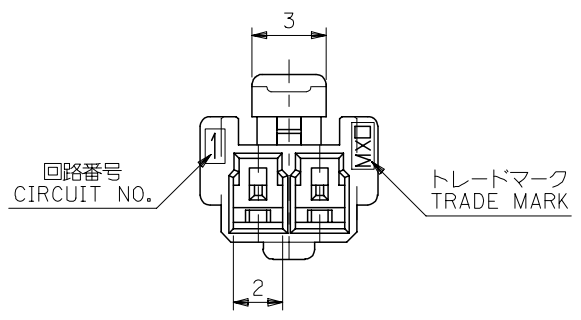
|               |                   |
|---------------|-------------------|
| REVISED       | EC NO: J2005-3799 |
| DRWN: MABEI   | 2005/06/20        |
| CHKD: KTOYODA | 2005/06/21        |
| APPR: NUKITA  | 2005/06/27        |

|  |       |
|--|-------|
| GENERAL TOLERANCES (UNLESS SPECIFIED)                |       |
| 10 UNDER   | ±0.2  |
| 10 OVER 30 UNDER                                     | ±0.25 |
| 30 OVER  | ±0.3  |
| ANGULAR  | ±3 °  |
| DRAFT WHERE APPLICABLE MUST REMAIN WITHIN DIMENSIONS |       |

|                         |              |
|-------------------------|--------------|
| DIMENSION STYLE MM ONLY |              |
| DRAWN BY                | T. ITO       |
| DATE                    | '92/05/06    |
| CHECKED BY              | H. HIRAMOTO  |
| DATE                    | '95/10/03    |
| APPROVED BY             | M. FUKUSHIMA |
| DATE                    | '95/10/03    |
| MATERIAL NO. SEE CHART  |              |
| SIZE A3                 |              |

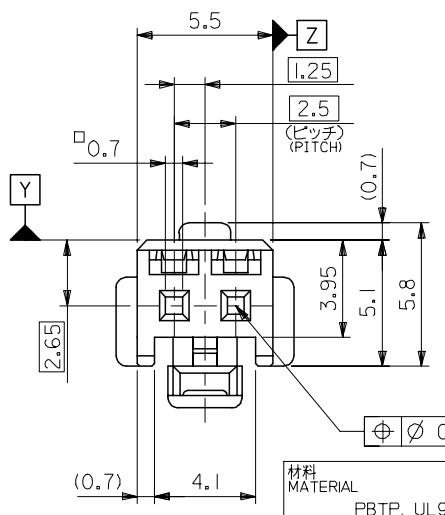
|   |              |
|---|--------------|
| SCALE   | 4:1          |
| DESIGN UNITS  | METRIC       |
| THIRD ANGLE PROJECTION  |              |
| TITLE 2.5 WIRE TO BOARD CONN HOUSING (POSITIVE LOCK)  |              |
| MOLEX MOLEX INCORPORATED  |              |
| DOCUMENT NO.  | SD-51103-023 |
| SHEET NO.   | 1 OF 2       |
| THIS DRAWING CONTAINS INFORMATION THAT IS PROPRIETARY TO MOLEX INCORPORATED AND SHOULD NOT BE USED WITHOUT WRITTEN PERMISSION |              |

10 9 8 7 6 5 4 3 2 1



ターミナル装着状態図  
TERMINAL ASSEMBLY DRAWING

2極に適用  
FOR 2 CKTS.



|                      |                            |
|----------------------|----------------------------|
| 材料<br>MATERIAL       | PBTP, UL94V-0<br>(色 WHITE) |
| 仕上げ<br>FINISH        | —                          |
| 適用電線範囲<br>WIRE RANGE | —                          |
| 被覆外径<br>INS. RANGE   | —                          |

⊕ ⌀ 0.4 Y Z

注記 NOTES

- △ 適合ターミナル : 5035I-8\*00  
APPLICABLE TERMINAL : 5035I-8\*00
- 2. 嵌合相手 : 53375,53426 シリーズ  
MATE WITH : 53375,53426 SERIES

|  |  |  |                             |  |  |                           |
|--|--|--|-----------------------------|--|--|---------------------------|
| REVISED<br>EC NO: J2005-3799<br>DRW: NABEI 2005/06/20<br>CHK: KTOYODA 2005/06/21<br>APP: NUKITA 2005/06/27 | GENERAL TOLERANCES<br>(UNLESS SPECIFIED) |  | DIMENSION STYLE<br>MM ONLY  | SCALE<br>5:1   | DESIGN UNITS<br>METRIC                                     | THIRD ANGLE<br>PROJECTION |
|  | 10 UNDER                                 | ± 0.2  | DRAWN BY<br>T. ITO          | DATE<br>'92/05/06  | TITLE<br>2.5 WIRE TO BOARD CONN<br>HOUSING (POSITIVE LOCK) |                           |
|  | 10 OVER 30 UNDER                         | ± 0.25   | CHECKED BY<br>H. HIRAMOTO   | DATE<br>'95/10/03  | MOLEX INCORPORATED   |                           |
|  | 30 OVER                                  | ± 0.3  | APPROVED BY<br>M. FUKUSHIMA | DATE<br>'95/10/03  | DOCUMENT NO.<br>SD-51103-023                               | SHEET NO.<br>2 OF 2       |
|  | ANGULAR ± 3 °                            | DRAFT WHERE APPLICABLE<br>MUST REMAIN<br>WITHIN DIMENSIONS | MATERIAL NO.<br>SEE CHART   | THIS DRAWING CONTAINS INFORMATION THAT IS PROPRIETARY TO MOLEX<br>INCORPORATED AND SHOULD NOT BE USED WITHOUT WRITTEN PERMISSION |  |                           |

|              |                      |
|--------------|----------------------|
| 51103-0200   | 2                    |
| MATERIAL NO. | 極数<br>NO. OF<br>CKT. |