

PLEASE CHECK WWW.MOLEX.COM FOR LATEST PART INFORMATION

Part Number: [0395300007](#)
Status: **Active**
Description: 5.08mm (.200") Pitch Eurostyle™ Horizontal Plug, 7 Circuits

Documents:

[3D Model](#) [Product Specification PS-39500-001 \(PDF\)](#)
[Drawing \(PDF\)](#) [RoHS Certificate of Compliance \(PDF\)](#)

General

Product Family	Terminal Blocks
Series	39530
Application	Wire-to-Board
Component Type	Plug
Product Literature Order No	USA-355
Product Name	ESE, Eurostyle™ Pluggable
Type	Euro Block

Physical

Circuits (Loaded)	7
Entry Angle	Vertical
Lock to Mating Part	Yes
Number of Rows	1
Orientation	Horizontal
PC Tail Length (in)	0.200 In
PC Tail Length (mm)	5.08 mm
PCB Thickness Recommended (mm)	5.08 mm
Panel Mount	No
Pitch - Mating Interface (in)	0.200 In
Pitch - Mating Interface (mm)	5.08 mm
Polarized to Mating Part	Yes
Stackable	No
Temperature Range - Operating	-40°C to +105°C
Wire Size AWG	12, 14, 16, 18, 20, 22, 24, 26
Wire Size mm²	0.13 - 3.31

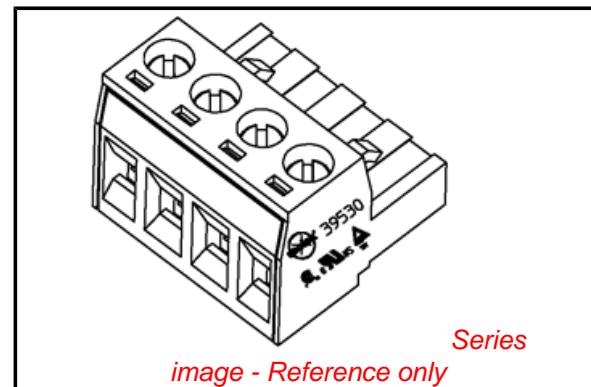
Electrical

Current - Maximum per Contact	15A
Voltage - Maximum	300V

Material Info

Reference - Drawing Numbers

Product Specification	PS-39500-001, RPS-39500-001
Sales Drawing	SD-39530-001



EU RoHS

**ELV and RoHS
Compliant**
REACH SVHC
 Not Reviewed
**Halogen-Free
Status**

China RoHS



**Need more information on product
environmental compliance?**

Email productcompliance@molex.com
 For a multiple part number RoHS Certificate of
 Compliance, [click here](#)

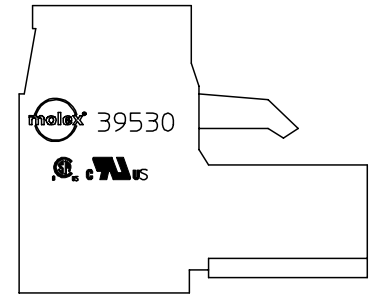
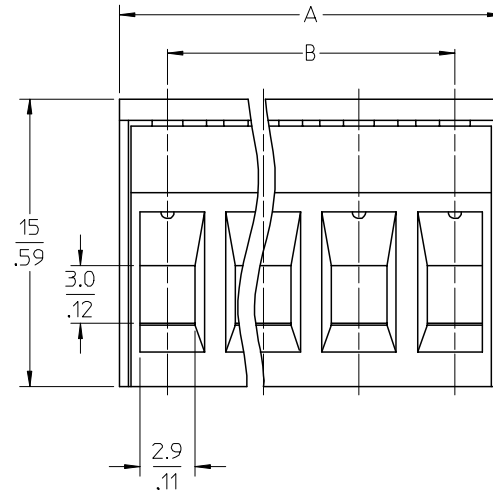
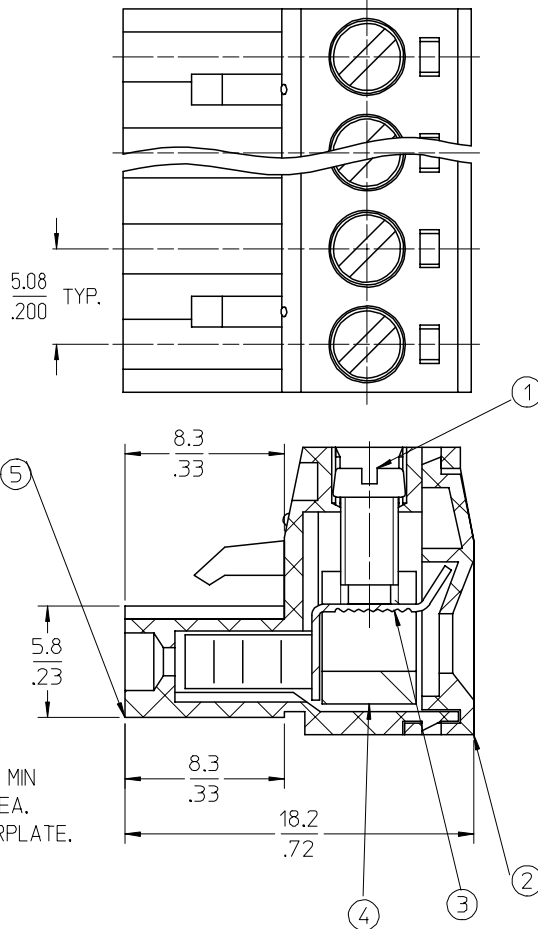
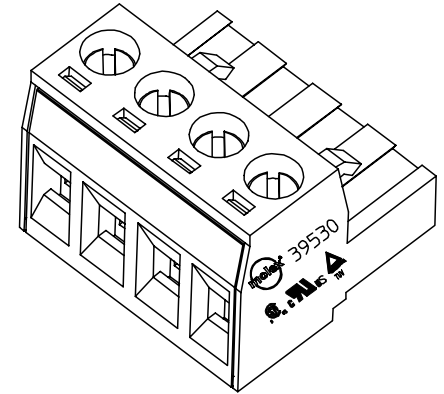
Please visit the [Contact Us](#) section for any
 non-product compliance questions.

Search Parts in this Series

[39530Series](#)

Mates With

[39531](#) Vertical PCB Header, [39532](#)
 Horizontal PCB Header, [39538](#) Dual Level
 PCB Header, Open Ends, Most 5.08mm
 (.200") Pitch Industry Standard PCB
 Headers



SPECIFICATIONS:

- 1. MATERIAL:
 - (1). SCREW: ZINC PLATED STEEL
 - (2). COVER: PA66
 - (3). TERMINAL MATERIAL: PHOSPHOR BRONZE
- (B) TERMINAL FINISH:
 - TIN - 3 μm (118 μin) MIN MATTE TIN
 - OVER 24μm (79 μin) MIN NICKEL
 - GOLD - 0.76 μm (30 μin) MIN GOLD IN CONTACT AREA, 3 μm (118 μin) MIN MATTE TIN IN WIRE ENTRY AREA.
 - 24μm (79 μin) MIN NICKEL UNDERPLATE.
- (4). CAGE: NICKEL PLATED BRASS
- (5). BODY: PA66
- 2. WIRE RANGE: 12 - 26 AWG
- 3. ELECTRICAL RATING: 300V, 15A.
- 4. WIRE STRIP LENGTH: 5.0mm.
- 5. OPERATING TEMPERATURE: -40°C TO +105°C.
- 6. MAX TORQUE: 5 In-Lbs.
- 7. INSULATION RESISTANCE: DC 500V, 500M.
- 8. DIELECTRIC WITHSTAND: AC 2500V FOR 1 MINUTE.
- 9. BREAKDOWN VOLTAGE: 4000V.
- 10. CONTACT RESISTANCE: <10 MILLIOHMS.
- (B) 12. ASSEMBLY IS ROHS COMPLIANT

ADD TIN & GOLD PLATE SPEC EC NO: ETC2007-0414 DRW: CLYORK 2007/05/21 CHKD: JMACNEIL 2007/05/21 APPR: JMACNEIL 2007/05/22	QUALITY SYMBOLS ▽=0 ▽=0	GENERAL TOLERANCES (UNLESS SPECIFIED)		DIMENSION STYLE MM/IN		SCALE 4:1	DESIGN UNITS INCH	THIRD ANGLE PROJECTION	
			mm	INCH	DRAWN BY LROTHAUS	DATE 12/6/05	TITLE 5.08MM, EURO PLUG, RIGHT ANGLE		
		4 PLACES	± ---	±.0015	CHECKED BY C. YORK	DATE 01/04/06	APPROVED BY J. PAWLICKI		
		3 PLACES	±0.038	±.005	DATE 01/10/06		MATERIAL NO. SEE SHT. 2		
2 PLACES	±0.13	±.01	ANGULAR ± 2 °		DOCUMENT NO. SD-39530-001				
1 PLACE	±0.3	± ---	DRAFT WHERE APPLICABLE MUST REMAIN WITHIN DIMENSIONS		SHEET NO. 1 OF 2				
				SIZE B		THIS DRAWING CONTAINS INFORMATION THAT IS PROPRIETARY TO MOLEX INCORPORATED AND SHOULD NOT BE USED WITHOUT WRITTEN PERMISSION			

Description	Circuit size	Material Numbers											Dimensional Information				
		Black						Green					Dim. A		Dim B		
		100% Tin			30 u" Gold			100% Tin			30 u" Gold						
		Printing Options			Printing Options			Printing Options			Printing Options		mm	inch	mm	inch	
None	10A	11A	None	10A	11A	None	10A	11A	None	10A	11A						
5.08mm, Euro Plug, Right Angle	2	39530002	395300102	395300202	395300502	395300602	395300702	395305002	395305102	395305202	395305502	395305602	395305702	10.16	0.400	5.08	0.200
5.08mm, Euro Plug, Right Angle	3	395300003	395300103	395300203	395300503	395300603	395300703	395305003	395305103	395305203	395305503	395305603	395305703	15.24	0.600	10.16	0.400
5.08mm, Euro Plug, Right Angle	4	395300004	395300104	395300204	395300504	395300604	395300704	395305004	395305104	395305204	395305504	395305604	395305704	20.32	0.800	15.24	0.600
5.08mm, Euro Plug, Right Angle	5	395300005	395300105	395300205	395300505	395300605	395300705	395305005	395305105	395305205	395305505	395305605	395305705	25.40	1.000	20.32	0.800
5.08mm, Euro Plug, Right Angle	6	395300006	395300106	395300206	395300506	395300606	395300706	395305006	395305106	395305206	395305506	395305606	395305706	30.48	1.200	25.40	1.000
5.08mm, Euro Plug, Right Angle	7	395300007	395300107	395300207	395300507	395300607	395300707	395305007	395305107	395305207	395305507	395305607	395305707	35.56	1.400	30.48	1.200
5.08mm, Euro Plug, Right Angle	8	395300008	395300108	395300208	395300508	395300608	395300708	395305008	395305108	395305208	395305508	395305608	395305708	40.64	1.600	35.56	1.400
5.08mm, Euro Plug, Right Angle	9	395300009	395300109	395300209	395300509	395300609	395300709	395305009	395305109	395305209	395305509	395305609	395305709	45.72	1.800	40.64	1.600
5.08mm, Euro Plug, Right Angle	10	395300010	395300110	395300210	395300510	395300610	395300710	395305010	395305110	395305210	395305510	395305610	395305710	50.80	2.000	45.72	1.800
5.08mm, Euro Plug, Right Angle	11	395300011	395300111	395300211	395300511	395300611	395300711	395305011	395305111	395305211	395305511	395305611	395305711	55.88	2.200	50.80	2.000
5.08mm, Euro Plug, Right Angle	12	395300012	395300112	395300212	395300512	395300612	395300712	395305012	395305112	395305212	395305512	395305612	395305712	60.96	2.400	55.88	2.200
5.08mm, Euro Plug, Right Angle	13	395300013	395300113	395300213	395300513	395300613	395300713	395305013	395305113	395305213	395305513	395305613	395305713	66.04	2.600	60.96	2.400
5.08mm, Euro Plug, Right Angle	14	395300014	395300114	395300214	395300514	395300614	395300714	395305014	395305114	395305214	395305514	395305614	395305714	71.12	2.800	66.04	2.600
5.08mm, Euro Plug, Right Angle	15	395300015	395300115	395300215	395300515	395300615	395300715	395305015	395305115	395305215	395305515	395305615	395305715	76.20	3.000	71.12	2.800
5.08mm, Euro Plug, Right Angle	16	395300016	395300116	395300216	395300516	395300616	395300716	395305016	395305116	395305216	395305516	395305616	395305716	81.28	3.200	76.20	3.000
5.08mm, Euro Plug, Right Angle	17	395300017	395300117	395300217	395300517	395300617	395300717	395305017	395305117	395305217	395305517	395305617	395305717	86.36	3.400	81.28	3.200
5.08mm, Euro Plug, Right Angle	18	395300018	395300118	395300218	395300518	395300618	395300718	395305018	395305118	395305218	395305518	395305618	395305718	91.44	3.600	86.36	3.400
5.08mm, Euro Plug, Right Angle	19	395300019	395300119	395300219	395300519	395300619	395300719	395305019	395305119	395305219	395305519	395305619	395305719	96.52	3.800	91.44	3.600
5.08mm, Euro Plug, Right Angle	20	395300020	395300120	395300220	395300520	395300620	395300720	395305020	395305120	395305220	395305520	395305620	395305720	101.60	4.000	96.52	3.800
5.08mm, Euro Plug, Right Angle	21	395300021	395300121	395300221	395300521	395300621	395300721	395305021	395305121	395305221	395305521	395305621	395305721	106.68	4.200	101.60	4.000
5.08mm, Euro Plug, Right Angle	22	395300022	395300122	395300222	395300522	395300622	395300722	395305022	395305122	395305222	395305522	395305622	395305722	111.76	4.400	106.68	4.200
5.08mm, Euro Plug, Right Angle	23	395300023	395300123	395300223	395300523	395300623	395300723	395305023	395305123	395305223	395305523	395305623	395305723	116.84	4.600	111.76	4.400
5.08mm, Euro Plug, Right Angle	24	395300024	395300124	395300224	395300524	395300624	395300724	395305024	395305124	395305224	395305524	395305624	395305724	121.92	4.800	116.84	4.600

SEE SHEET 1 EC NO: ETC2007-0414 DRWN: CLYORK 2007/05/21 CHKD: IMACNEIL 2007/05/21 APPR: IMACNEIL 2007/05/22	QUALITY SYMBOLS	GENERAL TOLERANCES (UNLESS SPECIFIED)	DIMENSION STYLE	SCALE	DESIGN UNITS	THIRD ANGLE PROJECTION
	$\nabla = 0$ $\nabla \nabla = 0$	mm INCH 4 PLACES ± --- ±.0015 3 PLACES ± 0.038 ±.005 2 PLACES ± 0.13 ±.01 1 PLACE ± 0.3 ± ---	MM/IN	4:1	INCH	
	DESCRIPTION	DRAWN BY DATE LROTHAUS 12/6/05 CHECKED BY DATE C. YORK 01/04/06 APPROVED BY DATE J. PAWLICKI 01/10/06	TITLE	5.08MM, EURO PLUG, RIGHT ANGLE		
	REV	DRAFT WHERE APPLICABLE MUST REMAIN WITHIN DIMENSIONS	MATERIAL NO. SEE CHART SIZE B THIS DRAWING CONTAINS INFORMATION THAT IS PROPRIETARY TO MOLEX INCORPORATED AND SHOULD NOT BE USED WITHOUT WRITTEN PERMISSION	MOLEX MOLEX INCORPORATED DOCUMENT NO. SD-39530-001	SHEET NO. 2 OF 2	