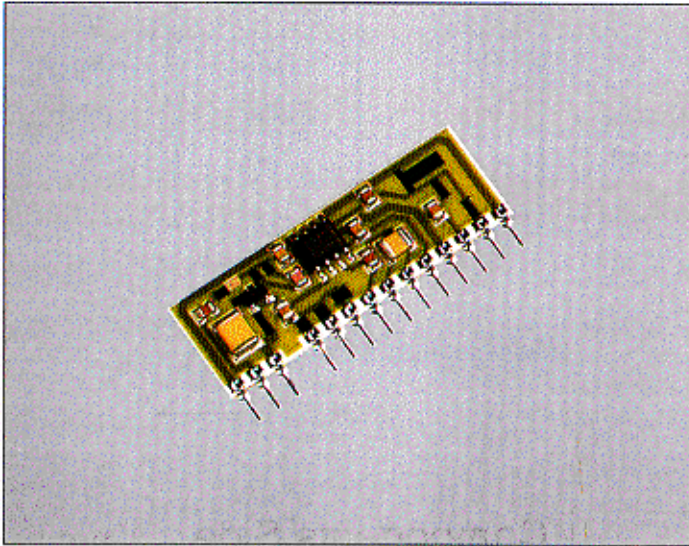


SP1

Guitar or/and Bass Preampifier



General description

The SP1 is a high performance Guitar and Bass preamplifier for professional applications.

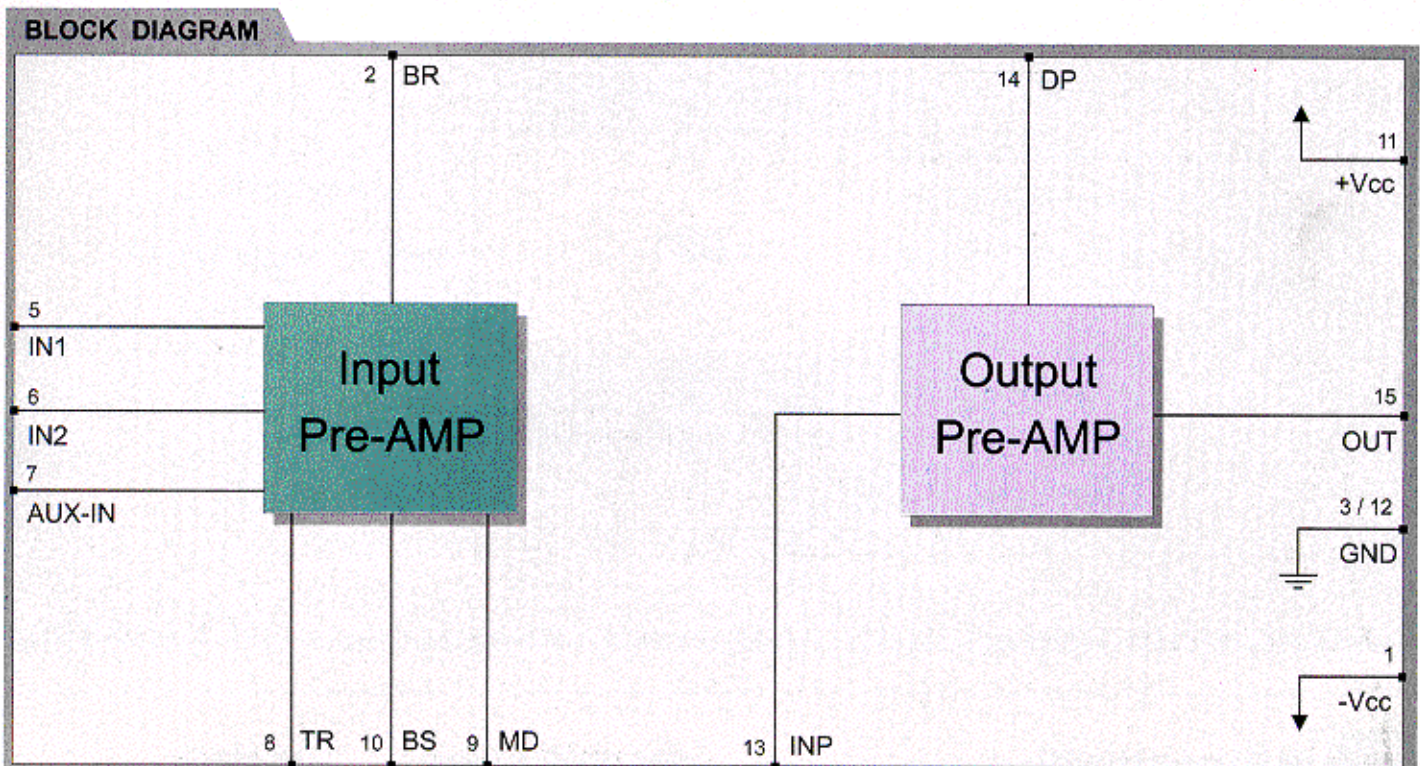
Two special effects for Guitar and Bass (Bright and Deep switch) for new acoustic sounds.

Features

- Tone controls (Treble-Bass-Middle) integrated
- Only four external potenziometers required
- Diode clamp input protection
- SIL Package
- Thick film hybrid technology

Applications

- Fine Musical Instruments
- Guitar-Bass and Keyboard Amplifier
- High Power Amplifier



Electrical Characteristics

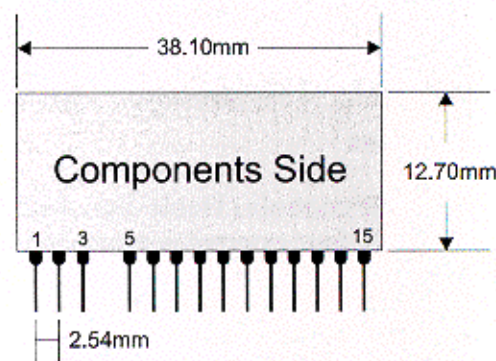
Ta = 25°C unless otherwise specified

	CHARACTERISTICS	MIN	TYP	MAX	UNIT
V _{CC}	Supply Voltage	±9	±12	±18	VDC
T _c	Tone control		±16		dB
V _i	AF input signal			1000	mVRMS
Z _i	Input impedance	34K		68K	Ohm
T _{OP}	Operating Temperature Range	-20		+80	°C

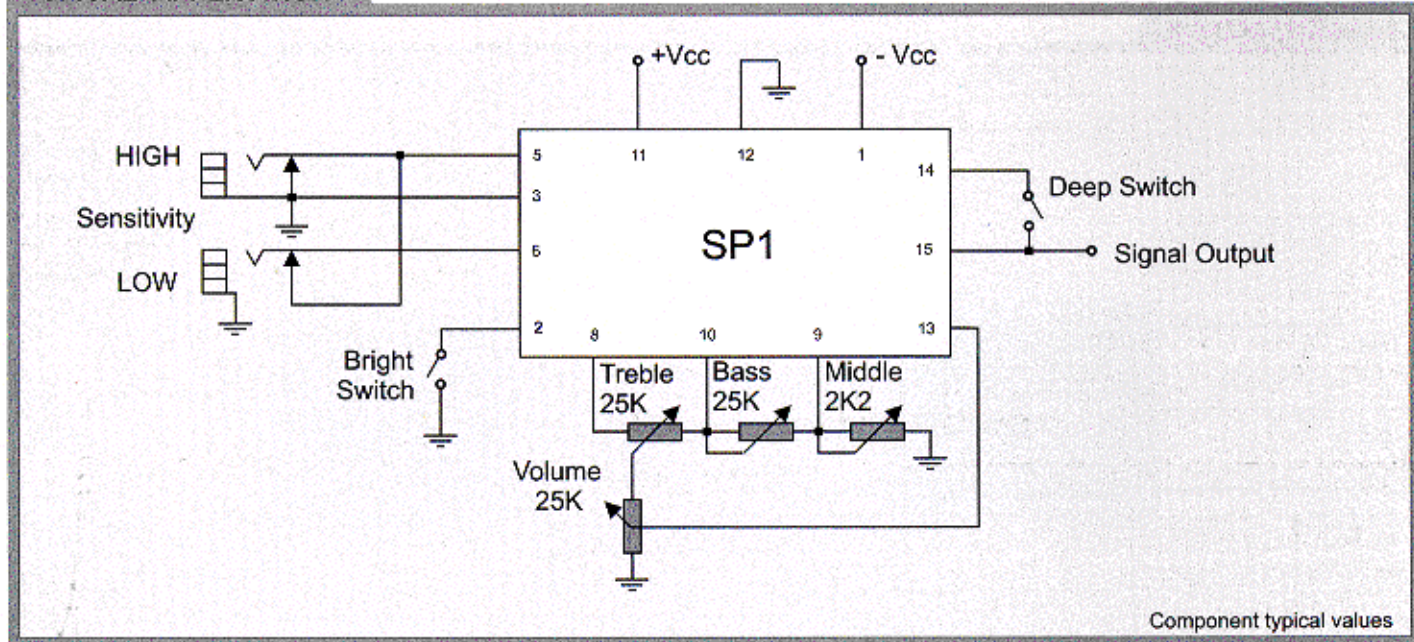
Pin Description

1	-VCC	Negative supply voltage
2	BR	Bright switch
3	GND	Ground
4	NC	No connect
5	IN1	Input signal
6	IN2	Input signal
7	AUX-IN	Input signal (Microphone)
8	TR	Treble
9	MD	Middle
10	BS	Bass
11	+VCC	Positive supply voltage
12	GND	Ground
13	INP	Input preamp
14	DP	Deep switch
15	OUT	Output master

Mechanical Dimensions



TYPICAL APPLICATION



R. F. Solutions Ltd.,
Unit 21, Cliffe Industrial Estate,
South Street,
Lewes,

E Sussex, BN8 6JL. England.

Tel +44 (0)1273 896 000. Fax +44 (0)1273 480 661.

Email sales@rfsolutions.co.uk or <http://www.rfsolutions.co.uk>

