

## HDMI Transmitter Port Protection and Interface Device

### Features

- HDMI 1.3 compliant
- Supports thin dielectric and 2-layer boards
- Minimizes TMDS skew with 0.05pF matching
- Long HDMI cable support with integrated I<sup>2</sup>C accelerator
- Active termination and slew rate limiting for CEC
- Supports direct connection to CEC microcontroller
- Integrated I<sup>2</sup>C level shifting to CMOS level including low logic level voltages
- Integrated 8kV ESD protection and backdrive protection on all external I/O lines
- Integrated overcurrent output protection per HDMI 1.3
- Multiport I<sup>2</sup>C support eliminates need for analog mux on DDC lines
- Simplified layout with matched 0.5mm trace spacing

### Product Description

The CM2030 HDMI Transmitter Port Protection and Interface Device is specifically designed for next generation HDMI Host interface protection.

An integrated package provides all ESD, slew rate limiting on CEC line, level shifting/isolation, overcurrent output protection and backdrive protection for an HDMI port in a single 38-Pin TSSOP package.

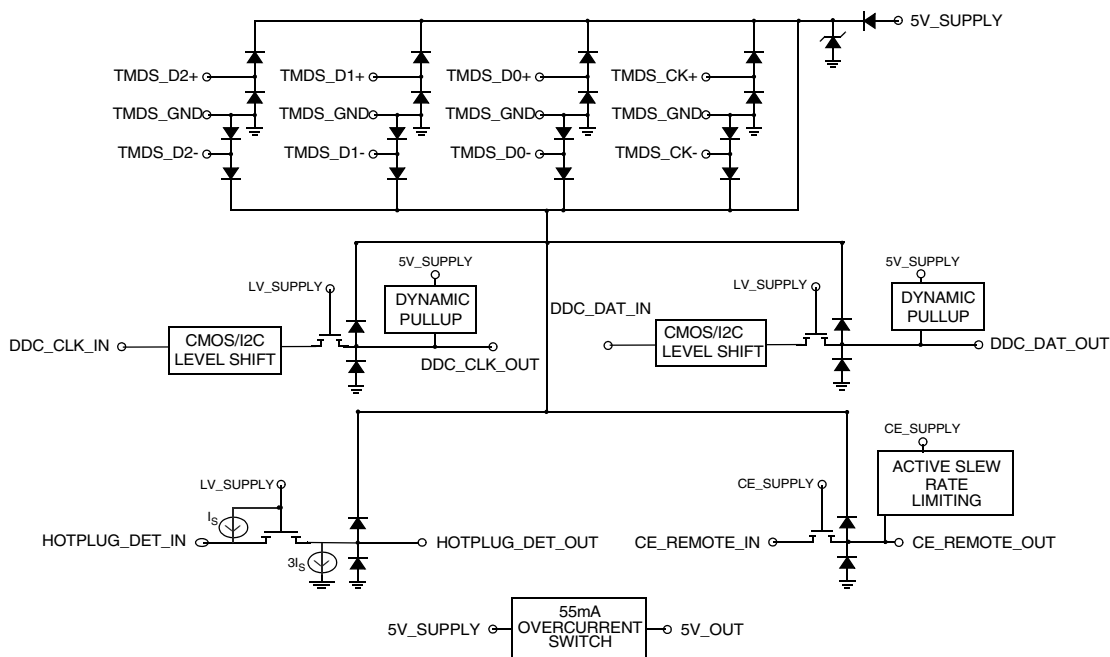
The CM2030 part is specifically designed to provide the designer with the most reliable path to HDMI 1.3 CTS compliance.

The CM2030 also incorporates a silicon overcurrent protection device for +5V supply voltage output to the connector.

### Applications

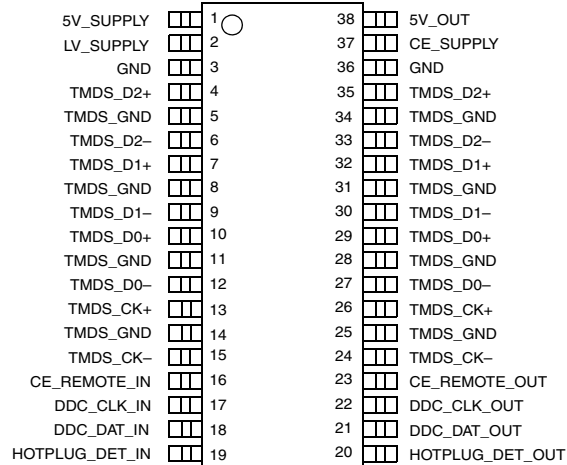
- PC and consumer electronics
- Set top box, DVD RW, PC, graphics cards

### Electrical Schematic



**PACKAGE / PINOUT DIAGRAM**

## TOP VIEW



Note: This drawing is not to scale.

38-PIN TSSOP PACKAGE

**PIN DESCRIPTIONS**

PINS	NAME	ESD Level	DESCRIPTION
4, 35	TMDS_D2+	8kV <sup>3</sup>	TMDS 0.9pF ESD protection. <sup>1</sup>
6, 33	TMDS_D2-	8kV <sup>3</sup>	TMDS 0.9pF ESD protection. <sup>1</sup>
7, 32	TMDS_D1+	8kV <sup>3</sup>	TMDS 0.9pF ESD protection. <sup>1</sup>
9, 30	TMDS_D1-	8kV <sup>3</sup>	TMDS 0.9pF ESD protection. <sup>1</sup>
10, 29	TMDS_D0+	8kV <sup>3</sup>	TMDS 0.9pF ESD protection. <sup>1</sup>
12, 27	TMDS_D0-	8kV <sup>3</sup>	TMDS 0.9pF ESD protection. <sup>1</sup>
13, 26	TMDS_CK+	8kV <sup>3</sup>	TMDS 0.9pF ESD protection. <sup>1</sup>
15, 24	TMDS_CK-	8kV <sup>3</sup>	TMDS 0.9pF ESD protection. <sup>1</sup>
16	CE_REMOTE_IN	2kV <sup>4</sup>	CE_SUPPLY referenced logic level in.
23	CE_REMOTE_OUT	8kV <sup>3</sup>	5V_SUPPLY referenced logic level out plus 10pF ESD. <sup>6</sup>
17	DDC_CLK_IN	2kV <sup>4</sup>	LV_SUPPLY referenced logic level in.
22	DDC_CLK_OUT	8kV <sup>3</sup>	5V_SUPPLY referenced logic level out plus 10pF ESD. <sup>6</sup>
18	DDC_DAT_IN	2kV <sup>4</sup>	LV_SUPPLY referenced logic level in.
21	DDC_DAT_OUT	8kV <sup>3</sup>	5V_SUPPLY referenced logic level out plus 10pF ESD. <sup>6</sup>
19	HOTPLUG_DET_IN	2kV <sup>4</sup>	LV_SUPPLY referenced logic level in.
20	HOTPLUG_DET_OUT	8kV <sup>3</sup>	5V_SUPPLY referenced logic level out plus 10pF ESD. A 0.1μF bypass ceramic capacitor is recommended on this pin. <sup>2</sup>
2	LV_SUPPLY	2kV <sup>4</sup>	Bias for CE / DDC / HOTPLUG level shifters.
37	CE_SUPPLY	2kV <sup>4,2</sup>	CEC bias voltage. Previously CM2020 ESD_BYP pin.
1	5V_SUPPLY	2kV <sup>4</sup>	Current source for 5V_OUT, VREF for DDC I <sup>2</sup> C voltage references, and bias for 8kV ESD pins.

**PIN DESCRIPTIONS (CONTINUED)**

38	5V_OUT	8kV <sup>3</sup>	55mA minimum overcurrent protected 5V output. This output must be bypassed with a 0.1µF ceramic capacitor.
3, 5, 8, 11, 14, 25, 28, 31, 34, 36	GND / TMDS_GND	N/A	GND reference.

Note 1: These 2 pins need to be connected together in-line on the PCB. See recommended layout diagram.

Note 2: This output can be connected to an external 0.1µF ceramic capacitor/pads to maintain backward compatibility with the CM2020.

Note 3: Standard IEC 61000-4-2, C<sub>DISCHARGE</sub>=150pF, R<sub>DISCHARGE</sub>=330Ω, 5V\_SUPPLY and LV\_SUPPLY within recommended operating conditions, GND=0V, 5V\_OUT (pin 38), and HOTPLUG\_DET\_OUT (pin 20) each bypassed with a 0.1µF ceramic capacitor connected to GND.

Note 4: Human Body Model per MIL-STD-883, Method 3015, C<sub>DISCHARGE</sub>=100pF, R<sub>DISCHARGE</sub>=1.5kΩ, 5V\_SUPPLY and LV\_SUPPLY within recommended operating conditions, GND=0V, 5V\_OUT (pin 38), and HOTPLUG\_DET\_OUT (pin 20) each bypassed with a 0.1µF ceramic capacitor connected to GND.

Note 5: These pins should be routed directly to the associated GND pins on the HDMI connector with single point ground vias at the connector.

Note 6: The slew-rate control and active acceleration circuitry dynamically offsets the system capacitive load on these pins.

## Backdrive Protection and Isolation

Backdrive current is defined as the undesirable current flow through an I/O pin when that I/O pin's voltage exceeds the related local supply voltage for that circuitry. This is a potentially common occurrence in multimedia entertainment systems with multiple components and several power plane domains in each system.

For example, if a DVD player is switched off and an HDMI connected TV is powered on, there is a possibility of reverse current flow back into the main power supply rail of the DVD player from pull-ups in the TV. As little as a few milliamps of backdrive current flowing back into the power rail can charge the DVD player's bulk bypass capacitance on the power rail to some intermediate level. If this level rises above the power-on-reset (POR) voltage level of some of the integrated

circuits in the DVD player, then these devices may not reset properly when the DVD player is turned back on.

If any SOC devices are incorporated in the design which have built-in level shifter and/or ESD protection structures, there can be a risk of permanent damage due to backdrive. In this case, backdrive current can forward bias the on-chip ESD protection structure. If the current flow is high enough, even as little as a few milliamps, it could destroy one of the SOC chip's internal DRC diodes, as they are not designed for passing DC.

To avoid either of these situations, the CM2030 was designed to block backdrive current, guaranteeing less than 5 $\mu$ A into any I/O pin when the I/O pin voltage exceeds its related operating CM2030 supply voltage.

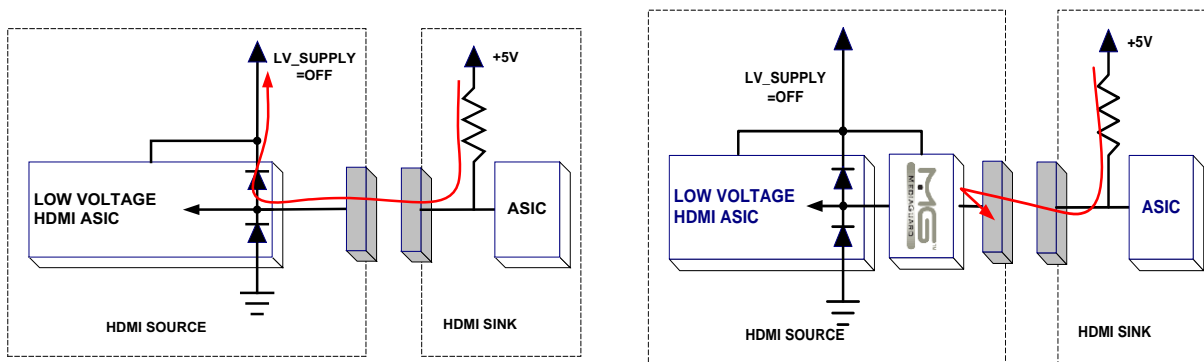


Figure 1. Backdrive Protection Diagram.

## Display Data Channel (DDC) lines

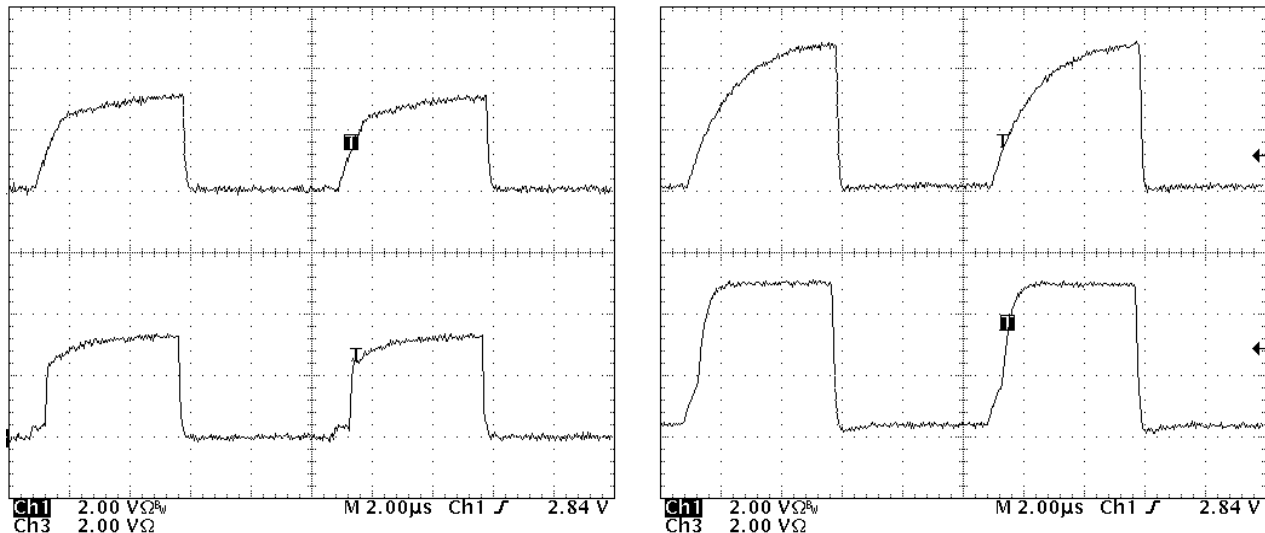
The DDC interface is based on the I<sup>2</sup>C serial bus protocol for EDID configuration.

### DYNAMIC PULLUPS

Based on the HDMI specification, the maximum capacitance of the DDC line can approach 800pF (50pF from source, 50pF from sink, and 700pF from cable). At the upper range of capacitance values (i.e. long cables), it becomes impossible for the DDC lines to meet the I<sup>2</sup>C timing specifications with the minimum pull-up resistor of 1.5k $\Omega$ .

For this reason, the CM2030 was designed with an internal I<sup>2</sup>C accelerator to meet the AC timing specification even with very long and non-compliant cables.

The internal accelerator increases the positive slew rate of the DDC\_CLK\_OUT and DDC\_DAT\_OUT lines whenever the sensed voltage level exceeds 0.3\*5V\_SUPPLY (approximately 1.5V). This provides faster overall risetime in heavily loaded situations without overloading the multi-drop open drain I<sup>2</sup>C outputs elsewhere.

**DYNAMIC PULLUPS (CONT'D)**


**Figure 2. Dynamic DDC Pullups** (Discrete - Top, CM2030 - Bottom; 3.3V ASIC - Left, 5V Cable - Right.)

Figure 2 demonstrates the “worst case” operation of the dynamic CM2030 DDC level shifting circuitry (bottom) against a discrete NFET common-gate level shifter circuit with a typical 1.5k $\Omega$  pullup at the source (top.) Both are shown driving an off-spec, but unfortunately readily available 31m HDMI cable which exceeds the 700pF HDMI specification. Some widely available HDMI cables have been measured at *over 4nF*.

When the standard I/OD cell releases the NFET discrete shifter, the risetime is limited by the pullup and the parasitics of the cable, source and sink. For long cables, this can extend the risetime and reduce the margin for reading a valid “high” level on the data line. In this case, an HDMI source may not be able to read uncorrupted data and will not be able to initiate a link.

With the CM2030’s dynamic pullups, when the ASIC driver releases its DDC line and the “OUT” line reaches at least 0.3\*VDD (of 5V\_SUPPLY), then the “OUT” active pullups are enabled and the CM2030 takes over driving the cable until the “OUT” voltage approaches the 5V\_SUPPLY rail.

The internal pass element and the dynamic pullups also work together to damp reflections on the longer cables and keep them from glitching the local ASIC.

### I<sup>2</sup>C LOW LEVEL SHIFTING

In addition to the Dynamic Pullups described in the previous section, the CM2030 also incorporates

improved I<sup>2</sup>C low-level shifting on the DDC\_CLK\_IN and DDC\_DAT\_IN lines for enhanced compatibility.

Typical discrete NFET level shifters can advertise specifications for low R<sub>DS[on]</sub>, but usually state relatively high V<sub>[GS]</sub> test parameters, requiring a ‘switch’ signal (gate voltage) as high as 10V or more. At a sink current of 4mA for the ASIC on DDC\_XX\_IN, the CM2030 guarantees no more than 140mV increase to DDC\_XX\_OUT, even with a switching control of 2.5V on LV\_SUPPLY.

When I<sup>2</sup>C devices are driving the external cable, an internal pulldown on DDC\_XX\_IN guarantees that the VOL seen by the ASIC on DDC\_XX\_IN is equal to or lower than DDC\_XX\_OUT.

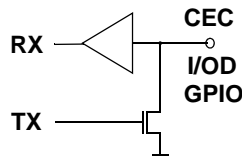
### Multiport DDC Multiplexing

By switching LV\_SUPPLY, the DDC/HPD blocks can be independently disabled by engaging their inherent “backdrive” protection. This allows N:1 multiplexing of the low-speed HDMI signals without any additional FET switches.

### Consumer Electronics Control (CEC)

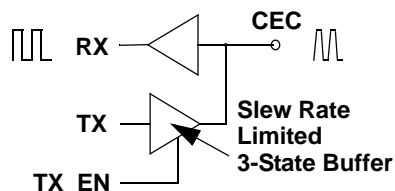
The Consumer Electronics Control (CEC) line is a high level command and control protocol, based on a single wire multidrop open drain communication bus running at approximately 1kHz (See Figure 3). While the HDMI link provides only a single point-to-point connection, up

to ten (10) CEC devices may reside on the bus, and they may be daisy chained out through other physical connectors including other HDMI ports or other dedicated CEC links. The high level protocol of CEC can be implemented in a simple microcontroller or other interface with any I/OD (input/open-drain) GPIO.



**Figure 3. Typical  $\mu$ C I/OD Driver**

To limit possible EMI and ringing in this potentially complex connection topology, the rise- and fall-time of this line are limited by the specification. However, meeting the slew-rate limiting requirements with additional discrete circuitry in this bi-directional block is not trivial without an additional RX/TX control line to limit the output slew-rate without affecting the input sensing (See Figure 4).

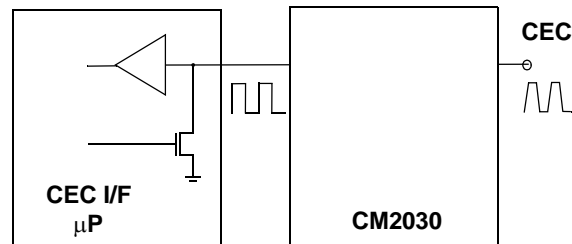


**Figure 4. Three-Pin External Buffer Control**

Simple CMOS buffers cannot be used in this application since the load can vary so much (total pullup of  $27k\Omega$  to less than  $2k\Omega$ , and up to  $7.3nF$  total capacitance.) The CM2030 targets an output drive slew-rate of less than  $100mV/\mu s$  regardless of static load for the CEC line. Additionally, the same internal circuitry will perform active termination, thus reducing ringing and overshoot in entertainment systems connected to legacy or poorly designed CEC nodes.

The CM2030's bi-directional slew rate limiting is integrated into the CEC level-shifter functionality thus allowing the designer to directly interface a simple low voltage CMOS GPIO directly to the CEC bus and simultaneously guarantee meeting all CEC output logic

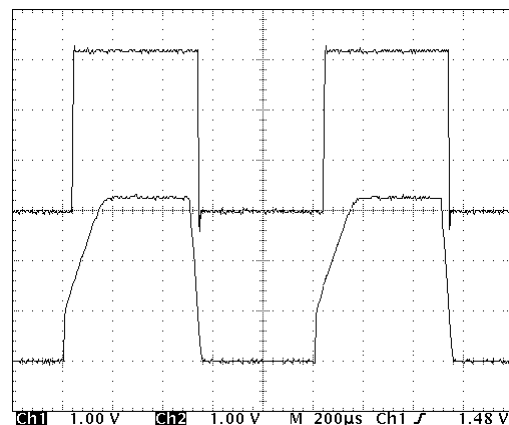
levels and HDMI slew-rate and isolation specifications (See Figure 5).



**Figure 5. Integrated CM2030 Solution**

The CM2030 also includes an internal backdrive protected static pullup  $120\mu A$  current source from the CE\_SUPPLY rail in addition to the dynamic slew rate control circuitry.

Figure 6 shows a typical shaped CM2030 CEC output (bottom) against a ringing uncontrolled discrete solution (top).

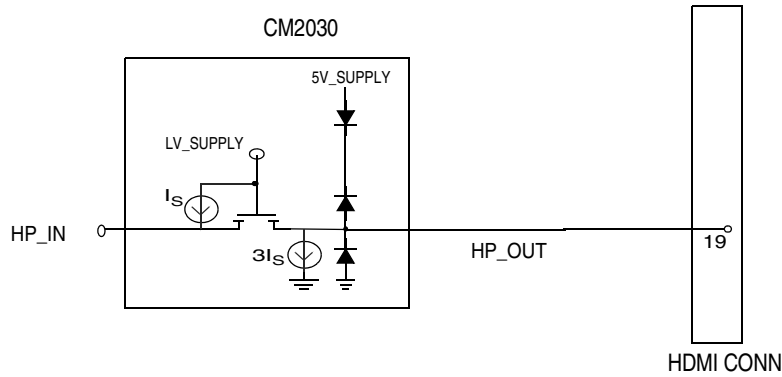


**Figure 6. CM2030 CEC Output**

### Hotplug Detect Logic

The CM2030 ensures that the local ASIC will properly detect an HDMI compliant Sink. The current sink maintains a local logic “low” when no system is connected.

A valid pullup on the HDMI connector pin will overdrive the internal pulldown and deliver a logic “high” to the local ASIC.



**Figure 7. Hotplug Detect Circuit**

## Ordering Information

PART NUMBERING INFORMATION			
Pins	Package	Lead-free Finish	
		Ordering Part Number <sup>1</sup>	Part Marking
38	TSSOP-38	CM2030-A0TR	CM2030-A0TR

Note 1: Parts are shipped in Tape & Reel form unless otherwise specified.

## Specifications

ABSOLUTE MAXIMUM RATINGS		
PARAMETER	RATING	UNITS
$V_{CC5}, V_{CCLV}$	6.0	V
DC Voltage at any Channel Input	[GND - 0.5] to [VCC + 0.5]	V
Storage Temperature Range	-65 to +150	°C

STANDARD (RECOMMENDED) OPERATING CONDITIONS					
SYMBOL	PARAMETER	MIN	TYP	MAX	UNITS
5V_SUPPLY	Operating Supply Voltage		5	5.5	V
LV_SUPPLY	Bias Supply Voltage	1	3.3	5.5	V
CE_SUPPLY	Bias Supply Voltage	3	3.3	3.6	V
	Operating Temperature Range	-40		85	°C

ELECTRICAL OPERATING CHARACTERISTICS (SEE NOTE 1)						
SYMBOL	PARAMETER	CONDITIONS	MIN	TYP	MAX	UNITS
$I_{CC5}$	Operating Supply Current	5V_SUPPLY = 5.0V, CEC_OUT = 3.3V, LV_SUPPLY = CE_SUPPLY = 3.3V, DDC = 5V; Note 7		300	350	μA
$I_{CCLV}$	Bias Supply Current	LV_SUPPLY = 3.3V; Note 7		60	150	μA
$I_{CCCE}$	Bias Supply Current	CE_SUPPLY = 3.3V, CEC_OUT = 0V; Note 7		60	150	μA
$V_{DROP}$	5V_OUT Overcurrent Output Drop	5V_SUPPLY = 5.0V, $I_{OUT} = 55mA$		65	100	mV
$I_{SC}$	5V_OUT Short Circuit Current Limit	5V_SUPPLY = 5.0V, 5V_OUT = GND	90	135	175	mA
$I_{OFF}$	OFF state leakage current, level shifting NFET	LV_SUPPLY = 0V; Note 2		0.1	5	μA
$I_{BACKDRIVECEC}$	Current through CE-REMOTE_OUT when powered down	CE-REMOTE_IN = CE_SUPPLY < CE-REMOTE_OUT		0.1	1.8	μA
$I_{BACKDRIVETMDS}$	Current through TMDS pins when powered down	All Supplies = 0V; TMDS_[2:0] +/-, TMDS_CK +/- = 4V		0.1	5	μA



**ELECTRICAL OPERATING CHARACTERISTICS (SEE NOTE 1)**

$I_{\text{BACKDRIVE}5V\_OUT}$	Current through 5V_OUT when powered down	All Supplies = 0V; 5V_OUT_PIN = 5V		0.1	5	$\mu\text{A}$
$I_{\text{BACKDRIVE}DDC}$	Current through DDC_DAT/CLK_OUT when powered down	All Supplies = 0V; DDC_DAT/CLK_OUT = 5V; DDC_DAT/CLK_IN = 0V		0.1	5	$\mu\text{A}$
$I_{\text{BACKDRIVE}HOTPLUG}$	Current through HOTPLUG_DET_OUT when powered down	All Supplies = 0V; HOTPLUG_DET_OUT = 5V; HOTPLUG_IN = 0V		0.1	5	$\mu\text{A}$
$CEC_{SL}$	CEC Slew Limit	Measured from 10-90% or 90-10%		0.26	0.65	$\text{V}/\mu\text{s}$
$CEC_{RT}$	CEC Rise Time	Measured from 10-90% Assumes a signal swing from 0-3.3V	26.4		250	$\mu\text{s}$
$CEC_{FT}$	CEC Fall Time	Measured from 90-10% Assumes a signal swing from 0-3.3V	4		50	$\mu\text{s}$
$V_{ACC}$	Turn On Threshold of I <sup>2</sup> C/DDC Accelerator	Voltage is 0.3 $\pm$ 10% X 5V_Supply; Note 2	1.35	1.5	1.65	V
$V_{ON(DDC\_OUT)}$	Voltage drop across DDC level shifter	LV_SUPPLY=3.3V, 3mA Sink at DDC_IN, DDC_OUT < V <sub>ACC</sub>		150	225	mV
$V_{OL(DDC\_IN)}$	Logic Level (ASIC side) when I <sup>2</sup> C/DDC Logic Low Applied; (I <sup>2</sup> C pass-through compatibility)	DDC_OUT=0.4V, LV_SUPPLY=3.3V, 1.5k $\Omega$ pullup on DDC_OUT to 5.0V; Note 2		0.3	0.4	V
$t_r(DDC)$	DDC_OUT Line Risetime, V <sub>ACC</sub> < V <sub>DDC_OUT</sub> < (5V_Supply-0.5V)	DDC_IN floating, LV_SUPPLY=3.3V, 1.5k $\Omega$ pullup on DDC_OUT to 5.0V, Bus Capacitance = 1500pF			1	$\mu\text{s}$
$V_F$	Diode Forward Voltage Top Diode Bottom Diode	I <sub>F</sub> = 8mA, T <sub>A</sub> = 25°C; Note 2	0.6 0.6	0.85 0.85	0.95 0.95	V V
$V_{ESD}$	ESD Withstand Voltage (IEC)	Pins 4, 7, 10, 13, 20, 21, 22, 23, 24, 27, 30, 33, T <sub>A</sub> = 25°C; Notes 2 and 3	$\pm 8$			kV
$V_{ESD}$	ESD Withstand Voltage (HBM)	Pins 1, 2, 16, 17, 18, 19, 37, 38, T <sub>A</sub> = 25°C; Note 2	$\pm 2$			kV
$V_{CL}$	Channel Clamp Voltage Positive Transients Negative Transients	T <sub>A</sub> =25°C, I <sub>PP</sub> = 1A, t <sub>p</sub> = 8/20 $\mu\text{s}$ ; Notes 2 & 6		11.0 -2.0		V V
$R_{DYN}$	Dynamic Resistance Positive Transients Negative Transients	T <sub>A</sub> =25°C, I <sub>PP</sub> = 1A, t <sub>p</sub> = 8/20 $\mu\text{s}$ Any I/O pin to Ground; Note 6		1.4 0.9		$\Omega$ $\Omega$
$I_{LEAK}$	TMDS Channel Leakage Current	T <sub>A</sub> = 25°C; Note 2		0.01	1	$\mu\text{A}$
$C_{IN, TMDS}$	TMDS Channel Input Capacitance	5V_SUPPLY=5.0V, Measured at 1MHz, V <sub>BIAS</sub> =2.5V; Note 2		0.9	1.2	pF

**ELECTRICAL OPERATING CHARACTERISTICS (SEE NOTE 1)**

$\Delta C_{IN, TMDS}$	TMDS Channel Input Capacitance Matching	5V_SUPPLY=5.0V, Measured at 1MHz, $V_{BIAS}=2.5V$ ; Notes 2 and 5	0.05	pF
$C_{MUTUAL}$	Mutual Capacitance between signal pin and adjacent signal pin	5V_SUPPLY=0V, Measured at 1MHz, $V_{BIAS}=2.5V$ ; Note 2	0.07	pF
$C_{IN, DDC_{OUT}}$	Level Shifting Input Capacitance, Capacitance to GND	5V_SUPPLY=0V, Measured at 100KHz, $V_{BIAS}=2.5V$ ; Note 2	10	pF
$C_{IN, CEC_{OUT}}$	Level Shifting Input Capacitance, Capacitance to GND	5V_SUPPLY=0V, Measured at 100KHz, $V_{BIAS}=1.65V$ ; Note 2	10	pF
$C_{IN, HP_{OUT}}$	Level Shifting Input Capacitance, Capacitance to GND	5V_SUPPLY=0V, Measured at 100KHz, $V_{BIAS}=2.5V$ ; Note 2	10	pF

Note 1: Operating Characteristics are over Standard Operating Conditions unless otherwise specified.

Note 2: This parameter is guaranteed by design and verified by device characterization.

Note 3: Standard IEC61000-4-2,  $C_{DISCHARGE}=150pF$ ,  $R_{DISCHARGE}=330\Omega$ , 5V\_SUPPLY=5V, 3.3V\_SUPPLY=3.3V, LV\_SUPPLY=3.3V, GND=0V.

Note 4: Human Body Model per MIL-STD-883, Method 3015,  $C_{DISCHARGE}=100pF$ ,  $R_{DISCHARGE}=1.5k\Omega$ , 5V\_SUPPLY=5V, 3.3V\_SUPPLY=3.3V, LV\_SUPPLY=3.3V, GND=0V.

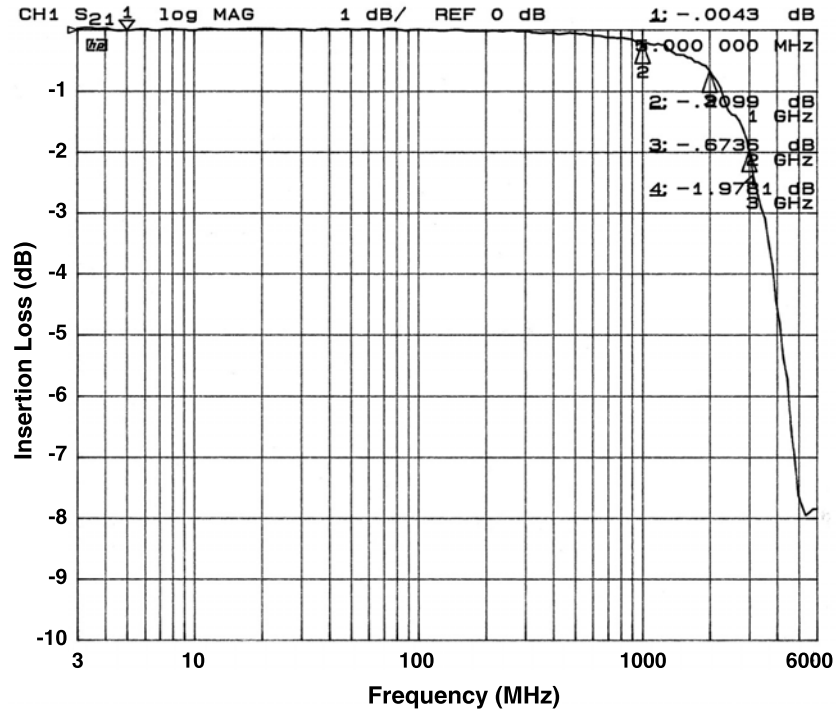
Note 5: Intra-pair matching, each TMDS pair (i.e. D+, D-)

Note 6: These measurements performed with no external capacitor on  $V_P$  ( $V_P$  floating)

Note 7: These static measurements do not include AC activity on controlled I/O lines

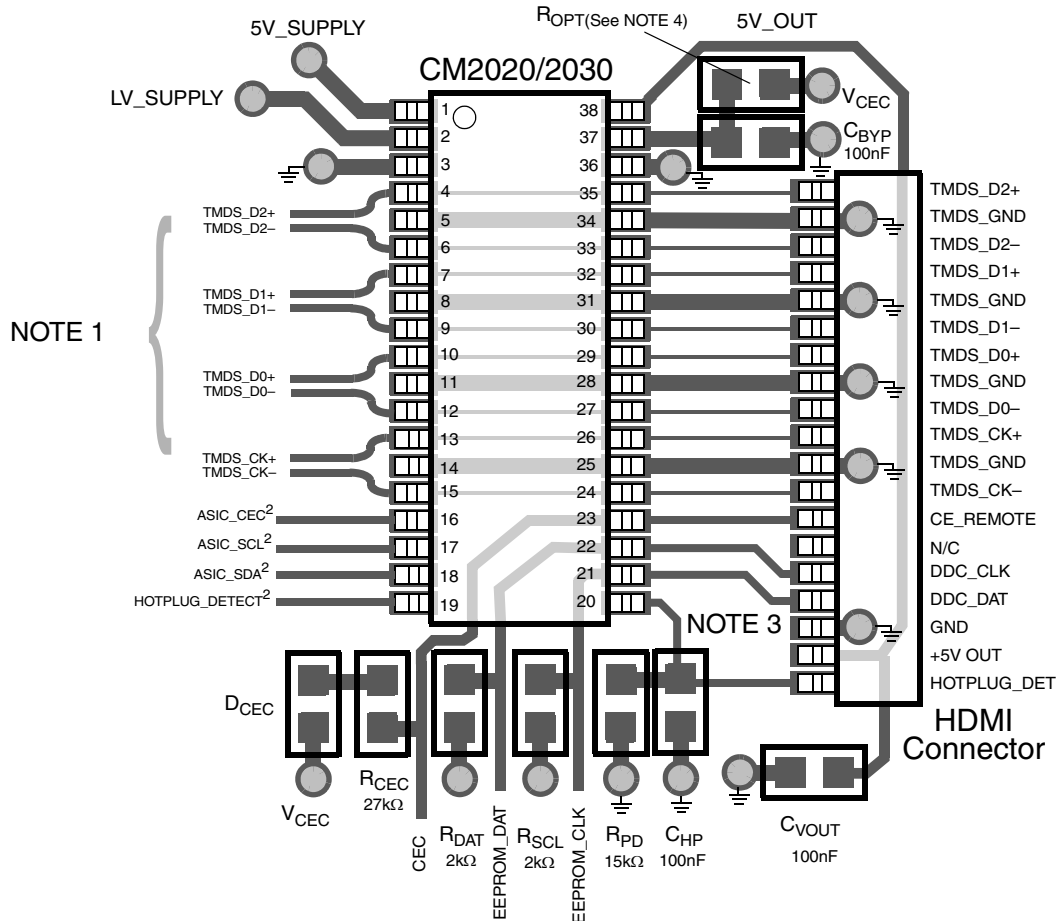
**Performance Information**

Typical Filter Performance ( $T_A=25^\circ\text{C}$ , DC Bias=0V, 50 Ohm Environment)



**Figure 8. Insertion Loss vs. Frequency (TMDS\_D1- to GND)**

## Application Information



**Figure 9. Typical Application for CM2030**

### LAYOUT NOTES

<sup>1</sup> Differential TMDS Pairs should be designed as normal 100Ω HDMI Microstrip. *Single Ended (decoupled) TMDS traces underneath MediaGuard™, and traces between MediaGuard™ and Connector should be tuned to match chip/connector IBIS parasitics. (See MediaGuard™ Layout Application Notes.)*

<sup>2</sup> Level Shifter signals should be biased with a weak pullup to the desired local LV\_SUPPLY. If the local ASIC includes sufficient pullups to register a logic high, then external pullups may not be needed.

<sup>3</sup> Place MediaGuard™ as close to the connector as possible, and as with any controlled impedance line always

avoid placing any silk-screen printing over TMDS traces.

<sup>4</sup> CM2020/CM2030 footprint compatibility. For the CM2030, Pin 37 becomes the V<sub>CECC</sub> power supply pin for the slew-rate limiting circuitry. This can be supplied by a 0Ω jumper to V<sub>CECC</sub> which should be depopulated to utilize the CM2020. The 100nF C<sub>BYPP</sub> is recommended for all applications.

## Application Information

### Design Considerations

#### 1. 5V out (pin 38)

Maximum overcurrent protection output drop at 55mA on 5V\_OUT is 100mV. To meet HDMI output requirements of 4.8-5.3V, an input of greater than 4.9V should be used (i.e. 5.1V  $\pm$ 4%)

figurations can be forward biased when their VDD rail is lower than the I/O pin bias, thereby exhibiting extremely high apparent capacitance measurements, for example. The *MediaGuard*™ backdrive isolation circuitry limits this current to less than 5 $\mu$ A, and will help ensure HDMI compliance.

#### 2. DUT On vs. DUT Off

Many HDMI CTS tests require a power off condition on the System Under Test. Many discrete ESD diode con-

**Please review all of the current HDMI design guidelines available at:**

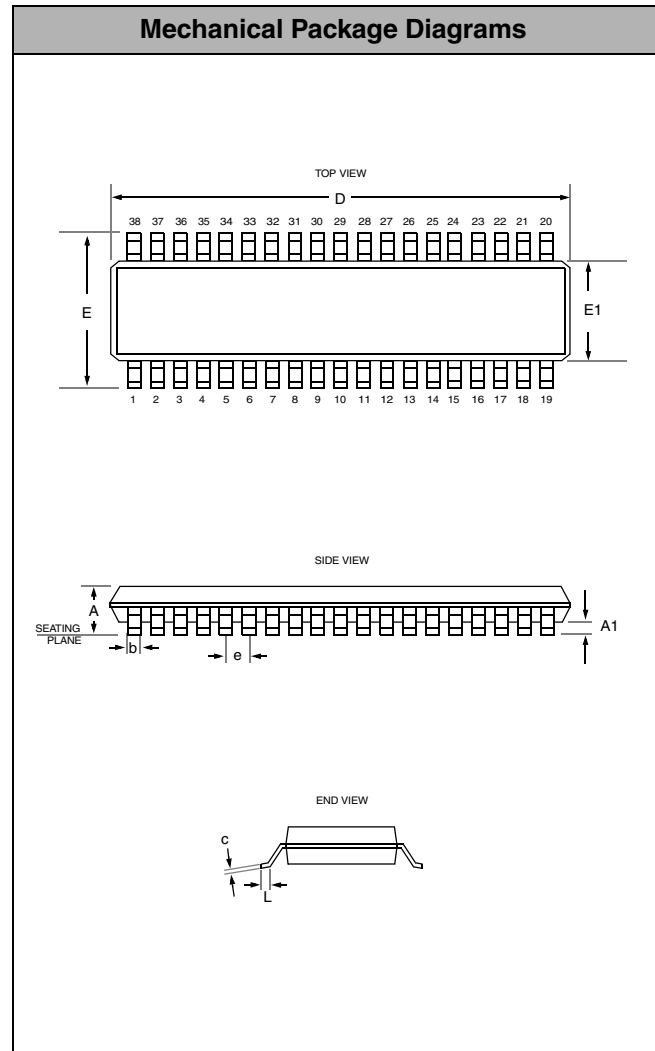
<http://www.calmicro.com/applications/customer/downloads/current-cmd-mediaguard-design-guidelines.zip>

## Mechanical Details

### TSSOP-38 Mechanical Specifications

CM2030 devices are supplied in 38-pin TSSOP packages. Dimensions are presented below.

PACKAGE DIMENSIONS				
Package	TSSOP			
JEDEC No.	MO-153 (Variation BD-1)			
Pins	38			
Dimensions	Millimeters		Inches	
	Min	Max	Min	Max
A	—	1.20	—	0.047
A1	0.05	0.15	0.002	0.006
b	0.17	0.27	0.007	0.011
c	0.09	0.20	0.004	0.008
D	9.60	9.80	0.378	0.386
E	6.40 BSC		0.252 BSC	
E1	4.30	4.50	0.169	0.177
e	0.50 BSC		0.020 BSC	
L	0.45	0.75	0.018	0.030
# per tape and reel	2500 pieces			
Controlling dimension: millimeters				



**Package Dimensions for TSSOP-38**