

**PLEASE CHECK WWW.MOLEX.COM FOR LATEST PART INFORMATION**

**Part Number:** [1300370011](#)  
**Status:** **Active**  
**Overview:** [devicenet industrial networks](#)  
**Description:** DeviceNet\* Micro-Change® (M12), 8 Port, Micro-Change 5 Poles, Male, 2.0m (6.56' ) Cable

**Documents:**

[Drawing \(PDF\)](#) [RoHS Certificate of Compliance \(PDF\)](#)

**General**

Product Family	Passive Distribution Boxes
Series	<a href="#">130037</a>
IP Rating	IP67
Overview	<a href="#">devicenet industrial networks</a>
Product Name	DeviceNet*, Micro-Change® (M12)

**Physical**

Bus I/O	Micro-Change® (M12)
Cable Connector Orientation	Straight
Cable Length	2.0m (6.56' )
Home Run Cable Length	2.0m (6.56' )
Home Run Connector	Micro-Change® (M12) - 5 pole
Home Run Interface	Field Attachable Cable
Keyway	Single
LED Indicator	No
Material - Cable Jacket	PVC
Material - Housing	PBT
Material - Metal	Copper
Material - Plating Mating	Gold over Nickel
Orientation	Side Mount
Poles	5
Poles (wired)	5
Ports	8
Temperature Range - Operating	-20°C to +90°C
Wiring Configuration	Single I/O per Port

**Electrical**

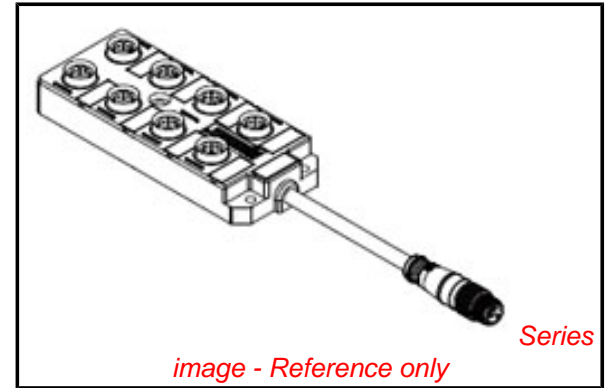
Current - Maximum per Contact	4A per port
Functional Wiring	Parallel
Voltage - Maximum	10-30V DC

**Material Info**

Old Part Number	DND8500-02
-----------------	------------

**Reference - Drawing Numbers**

Sales Drawing	SD-130037-006
---------------	---------------



**EU RoHS**

**ELV and RoHS  
Compliant**  
**REACH SVHC  
Not Reviewed**  
**Halogen-Free  
Status  
Not Reviewed**

**China RoHS**



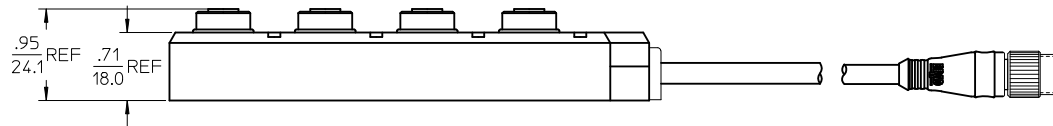
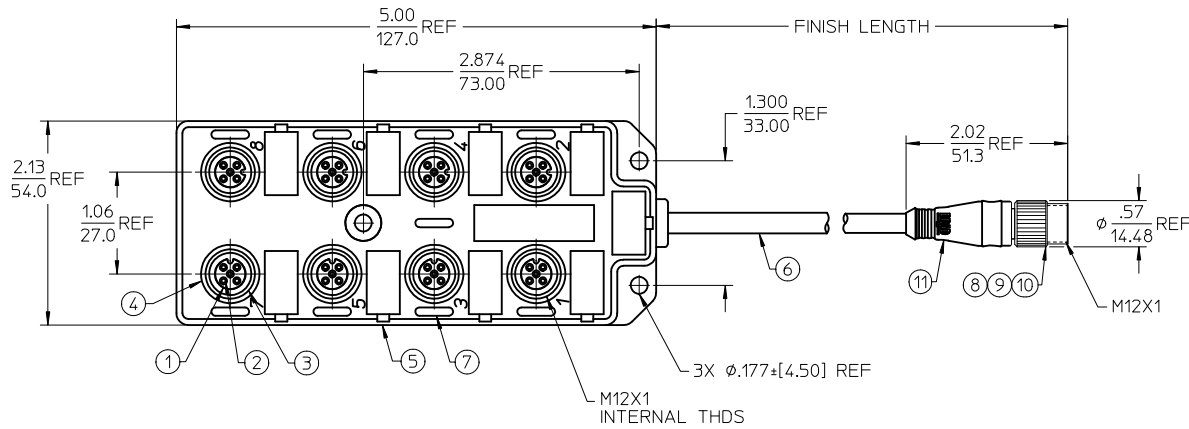
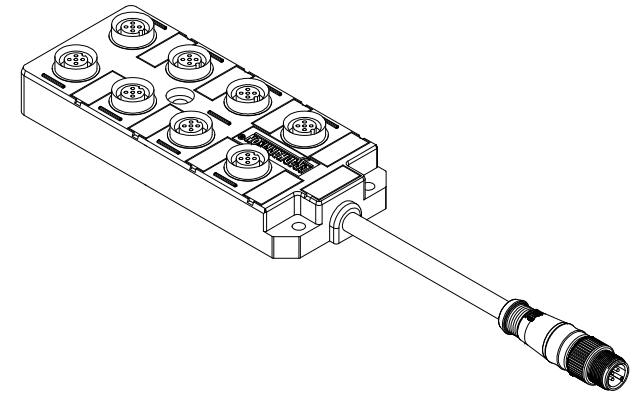
**Need more information on product  
environmental compliance?**

Email [productcompliance@molex.com](mailto:productcompliance@molex.com)  
 For a multiple part number RoHS Certificate of Compliance, [click here](#)

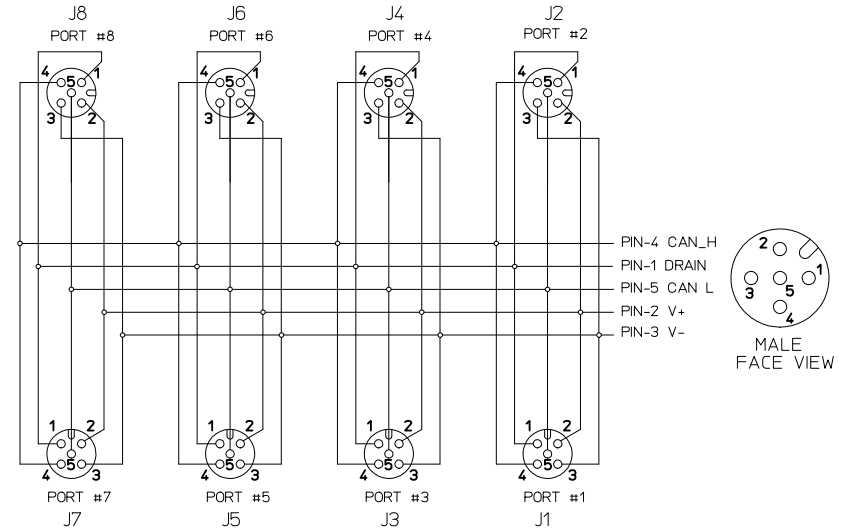
Please visit the [Contact Us](#) section for any non-product compliance questions.

**Search Parts in this Series**  
[130037Series](#)

MATERIAL NUMBER	OLD PART NUMBER	FINISHED LENGTH
130037-0011	DND8500-02	6.56' +.3.50" -0 [2M +88.9 -0]
130037-0012	DND8500-05	16.40' +6.50" -0 [5M +165.0 -0]
130037-0013	DND8500-M002	0.66' +.75" -0 [.2M +19.1 -0]
130037-0014	DND8500-M005	1.64' +.75" -0 [.5M +19.1 -0]



VOLTAGE RATING	10-30 VDC
AMPERAGE RATING PER PORT	4 AMPS
PROTECTION	IP67
OPERATING TEMPERATURE	-20°C TO 90°C



ITEM	COMPONENT	MATERIAL	FINISH
1	INSERT	NYLON	BLACK
2	CONTACT SOCKET	COPPER ALLOY	GOLD OVER NICKEL
3	O-RING	NITRILE	RED
4	RECEPTACLE SHELL	BRASS	NICKEL PLATED
5	HOUSING	PBT	GRAY
6	CABLE- DEVICENET THIN, 300V	PVC	GRAY
7	LENS	NYLON	GRAY
8	INSERT	NYLON	BLACK
9	CONTACT PIN	COPPER ALLOY	GOLD OVER NICKEL
10	COUPLING NUT	ZINC DIE CAST	BLACK E-COATED
11	OVERMOLD	PVC	GRAY

<b>CREATE DOC.</b> EC NO: WNAZ010-0459 DRWNR: RUPERT 2010/01/25 CHKDR: WOODMAN 2010/01/25 APPR: JFMURPHY 2010/01/25	QUALITY SYMBOLS ▽=0 ▽=0	GENERAL TOLERANCES (UNLESS SPECIFIED) <table border="1"> <tr> <th></th> <th>mm</th> <th>INCH</th> </tr> <tr> <td>4 PLACES</td> <td>± .005</td> <td>± .0005</td> </tr> <tr> <td>3 PLACES</td> <td>± .005</td> <td>± .0005</td> </tr> <tr> <td>2 PLACES</td> <td>± .005</td> <td>± .0005</td> </tr> <tr> <td>1 PLACE</td> <td>± .005</td> <td>± .0005</td> </tr> </table>		mm	INCH	4 PLACES	± .005	± .0005	3 PLACES	± .005	± .0005	2 PLACES	± .005	± .0005	1 PLACE	± .005	± .0005	DIMENSION STYLE <b>IN/MM</b>	SCALE <b>1:10</b>	DESIGN UNITS <b>INCH</b>	THIRD ANGLE PROJECTION
			mm	INCH																	
		4 PLACES	± .005	± .0005																	
		3 PLACES	± .005	± .0005																	
2 PLACES	± .005	± .0005																			
1 PLACE	± .005	± .0005																			
DRAFT WHERE APPLICABLE MUST REMAIN WITHIN DIMENSIONS		DRAWN BY BW 2009/07/27	DATE 2009/07/27	TITLE <b>TOP MOUNT 8 OUTLET TO MIC 5P DEVICENET</b>																	
MATERIAL NO. <b>SEE CHART</b>		CHECKED BY VO 2009/07/28	DATE 2009/07/28	MOLEX INCORPORATED																	
SHEET NO. <b>1 OF 1</b>		APPROVED BY JFMURPHY 2010/01/25		DOCUMENT NO. <b>SD-130037-006</b>																	

THIS DRAWING CONTAINS INFORMATION THAT IS PROPRIETARY TO MOLEX INCORPORATED AND SHOULD NOT BE USED WITHOUT WRITTEN PERMISSION