

PLEASE CHECK WWW.MOLEX.COM FOR LATEST PART INFORMATION

Part Number: [0545520302](#)
Status: **Active**
Description: 0.40mm (.016") Pitch Board-to-Board SlimStack™ Receptacle, SMT, Dual Row, with Plastic Pegs, Right Angle, 20 Circuits

Documents:

[3D Model](#) [Product Specification PS-54552-023 \(PDF\)](#)
[Drawing \(PDF\)](#) [RoHS Certificate of Compliance \(PDF\)](#)

General

Product Family PCB Receptacles
 Series [54552](#)
 Application Board-to-Board
 Product Name SlimStack™

Physical

Circuits (Loaded) 30
 Color - Resin Brown
 Durability (mating cycles max) 30
 Glow-Wire Compliant No
 Mated Height (in) 0.167 In, 0.171 In
 Mated Height (mm) 4.25 mm, 4.35 mm
 Material - Metal Phosphor Bronze
 Material - Plating Mating Gold
 Material - Plating Termination Tin
 Number of Rows 2
 Orientation Right Angle
 PCB Locator Yes
 PCB Retention None
 Packaging Type Embossed Tape on Reel
 Pitch - Mating Interface (in) 0.016 In
 Pitch - Mating Interface (mm) 0.40 mm
 Polarized to PCB No
 Temperature Range - Operating -40°C to +85°C
 Termination Interface: Style Surface Mount

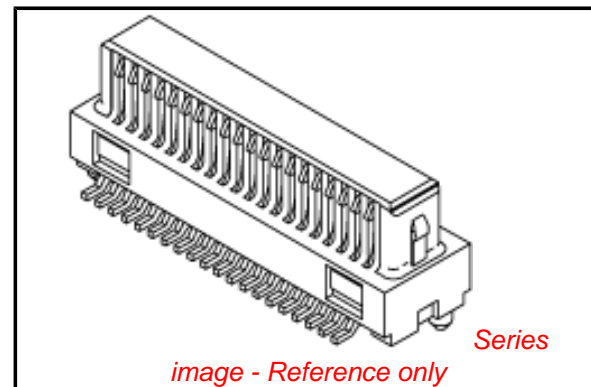
Electrical

Current - Maximum per Contact 0.3A
 Voltage - Maximum 30V AC (RMS)/DC

Material Info

Reference - Drawing Numbers

Packaging Specification SPK-54552-017
 Product Specification PS-54552-023, RPS-54552-010, RPS-54552-011
 Sales Drawing SD-54552-023, SD-54552-024



EU RoHS

**ELV and RoHS
 Compliant**
REACH SVHC
 Not Reviewed
**Halogen-Free
 Status**

China RoHS



**Need more information on product
 environmental compliance?**

Email productcompliance@molex.com
 For a multiple part number RoHS Certificate of
 Compliance, [click here](#)

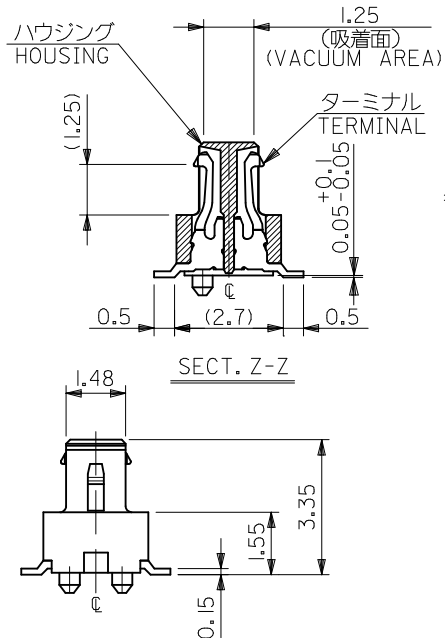
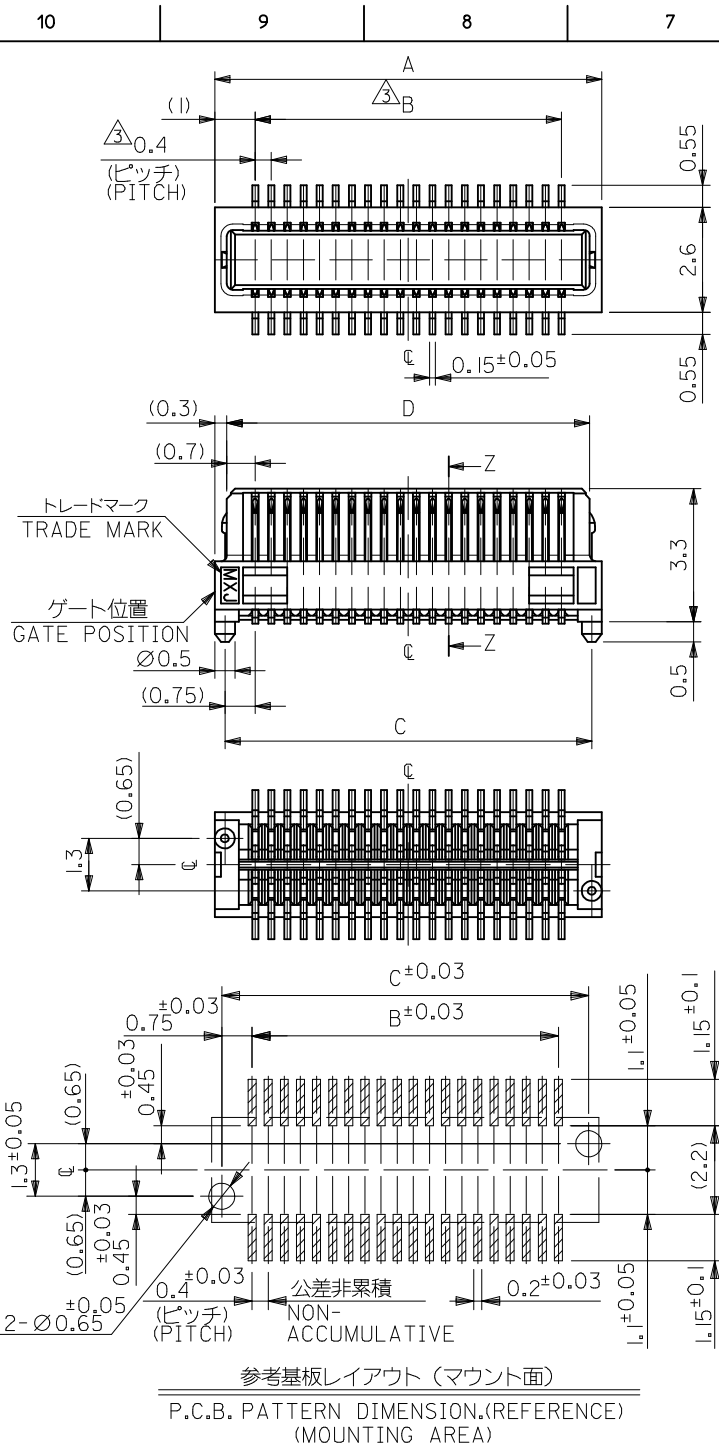
Please visit the [Contact Us](#) section for any
 non-product compliance questions.

Search Parts in this Series

[54552Series](#)

Mates With

[55394 PCB Header](#) . [503376 PCB Header](#)

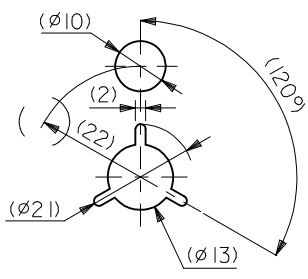
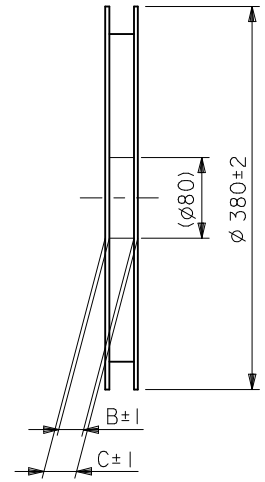
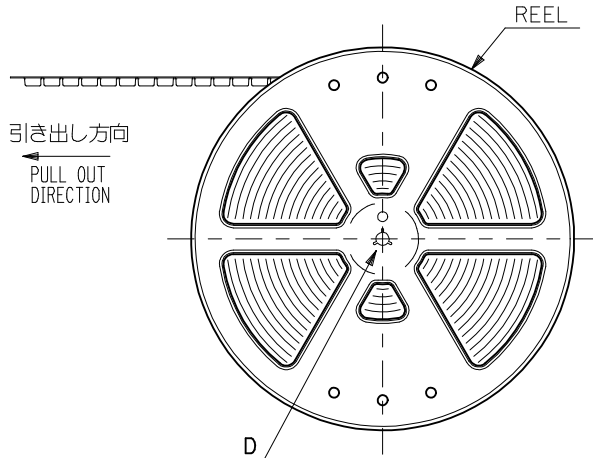


注記 NOTES

1. 使用材料 MATERIAL
 ハウジング: 液晶ポリマー ガラス充填 UL94V-0 茶色
 HOUSING: LIQUID CRYSTAL POLYMER, GLASS FILLED, UL94V-0, COLOR BROWN
 ターミナル: リン青銅 (t=0.15)
 TERMINAL: PHOSPHOR BRONZE (t=0.15)
2. メッキ仕様 PLATING
 金メッキ (コンタクト部)
 GOLD PLATING (CONTACT AREA)
 錫メッキ (テール部)
 TIN PLATING (TAIL AREA)
 下地メッキ: ニッケルメッキ
 UNDER PLATING: NICKEL
- △ テール部に適用。
 APPLY TO THE TAIL AREA.
4. 嵌合相手: 55394 / 503376 シリーズ
 MATE WITH: 55394 / 503376 SERIES.
5. テール平坦度は、0.08以下
 TAIL COPLANARITY TO BE 0.08 MAXIMUM
6. ELV及びRoHS適合品
 ELV AND RoHS COMPLIANT

23.0	23.1	21.6	23.6	54552-1102	54552-1100	110
19.0	19.1	17.6	19.6	54552-0902	54552-0900	90
9.0	9.1	7.6	9.6	54552-0402	54552-0400	40
7.8	7.9	6.4	8.4	54552-0342	54552-0340	34
7.0	7.1	5.6	7.6	54552-0302	54552-0300	30
D	C	B	A	EMBOSSD TAPE	MATERIAL No.	CKT.
				ORDER No. オークター番号	MODEL No. : 54552-***0	

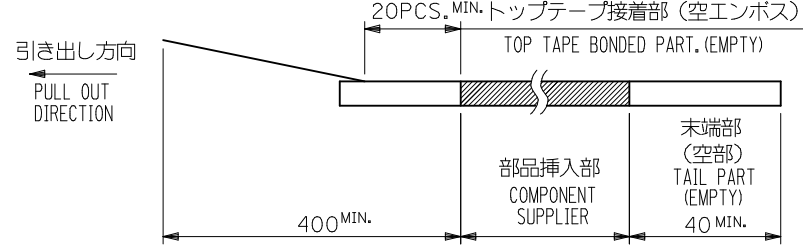
REVISED EC NO: J2009-2156 DRWN: TAKASAKI 2009/03/26 CHKD: THARUYAMA 2009/03/27 APPR: NUKITA 2009/03/30	GENERAL TOLERANCES (UNLESS SPECIFIED)		DIMENSION STYLE MM ONLY		SCALE ---	DESIGN UNITS METRIC	THIRD ANGLE PROJECTION
	10 UNDER	±0.2	DRAWN BY N. AIDA	DATE '05/02/03	TITLE 0.4 B/B CONN RA REC HSG ASSY		
	10 OVER 30 UNDER	±0.25	CHECKED BY K. TOYODA	DATE '05/02/03	APPROVED BY N. UKITA		
	30 OVER	±0.3	DATE '05/02/03	MOLEX INCORPORATED			
DESCRIPTION	ANGULAR ±3 °	MATERIAL NO.	SEE TABLE		DOCUMENT NO.	SD-54552-023	
REV	DRAFT WHERE APPLICABLE MUST REMAIN WITHIN DIMENSIONS		SIZE A3	THIS DRAWING CONTAINS INFORMATION THAT IS PROPRIETARY TO MOLEX INCORPORATED AND SHOULD NOT BE USED WITHOUT WRITTEN PERMISSION			
							SHEET NO. 1 OF 1



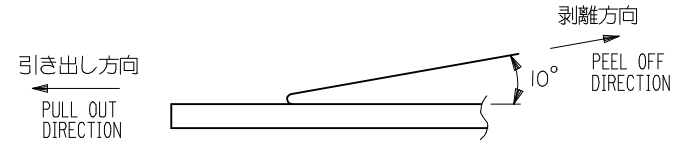
DETAIL D

NOTES

- 製品詳細寸法については SD-54552-023 を参照下さい。
RE DETAILED DIMENSION, SEE SD-54552-023.
- 梱包数量：1500個/リール
NUMBER OF CONNECTORS : 1500PCS/REEL
- リードテープ長さ LEAD TAPE LENGTH



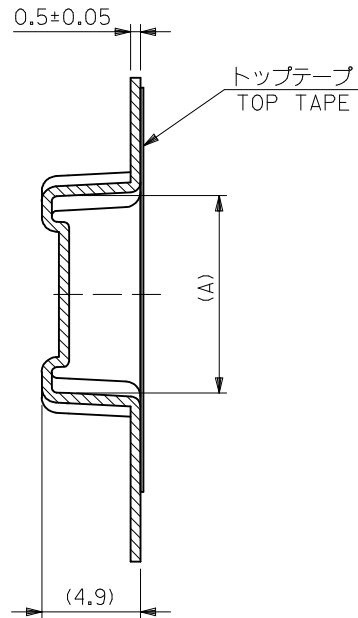
- トップテープの剥離強度：0.1～1.3N {10～130gf} (剥離方向は下図参照)
尚、本規格値は出荷時に適用。(但し、輸送時に剥離が発生しないこと。)
PEELING OFF FORCE OF TOP TAPE : 0.1～1.3N {10～130gf}
(PEELING DIRECTION AS SHOWN IN FOLLOWING FIG.)
THIS REQUIREMENT SHOULD BE APPLIED AT SHIPMENT.
PEEL OFF SHOULD NOT BE ALLOWED , DURING TRANSPORTATION.



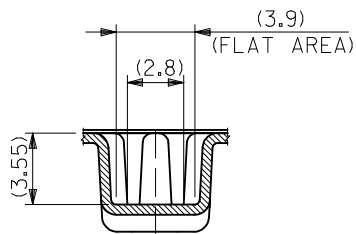
- 材料 (MATERIAL)
キャリアテープ (CARRIER TAPE) : ポリプロピレン (POLYPROPYLENE)
トップテープ (TOP TAPE) : PET , PE , PEF
リール (REEL) : ポリスチレン (P S) <リサイクル材を含む>
POLYSTYRENE (PS) <RECYCLE MATERIAL CONTAINED>
- ELV及RoHS適合品
ELV AND RoHS COMPLIANT

54552-1102	110
54552-0902	90
54552-0402	40
54552-0342	34
54552-0302	30
MATERIAL NO.	極数 CIRCUITS

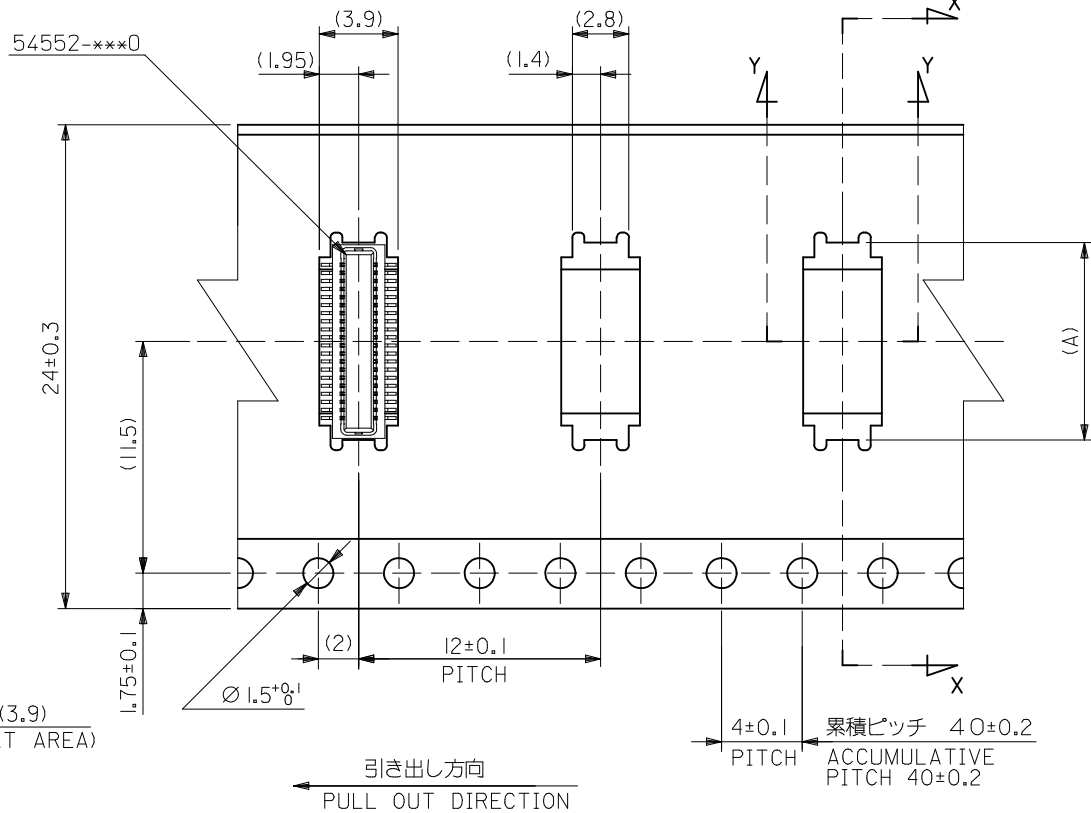
REVISED EC NO: J2009-2156 DRWN: TAKASAKI 2009/03/26 CHKD: THARUYAMA 2009/03/27 APPR: NUKITA 2009/03/30	GENERAL TOLERANCES (UNLESS SPECIFIED)		DIMENSION STYLE MM ONLY		SCALE ---	DESIGN UNITS METRIC	THIRD ANGLE PROJECTION
	10 UNDER	±0.2	DRAWN BY N. AIDA	DATE '05/02/03	TITLE EMBSTP PKG FOR 0.4 B/B CONN RA REC HSG ASSY		
	10 OVER 30 UNDER	±0.25	CHECKED BY K. TOYODA	DATE '05/02/03	MOLEX INCORPORATED		
	30 OVER	±0.3	APPROVED BY N. UKITA	DATE '05/02/03	MATERIAL NO. SEE TABLE	DOCUMENT NO. SD-54552-024	SHEET NO. 1 OF 4
	ANGULAR ±3 °	THIS DRAWING CONTAINS INFORMATION THAT IS PROPRIETARY TO MOLEX INCORPORATED AND SHOULD NOT BE USED WITHOUT WRITTEN PERMISSION					
	DRAFT WHERE APPLICABLE MUST REMAIN WITHIN DIMENSIONS						



SECT X-X

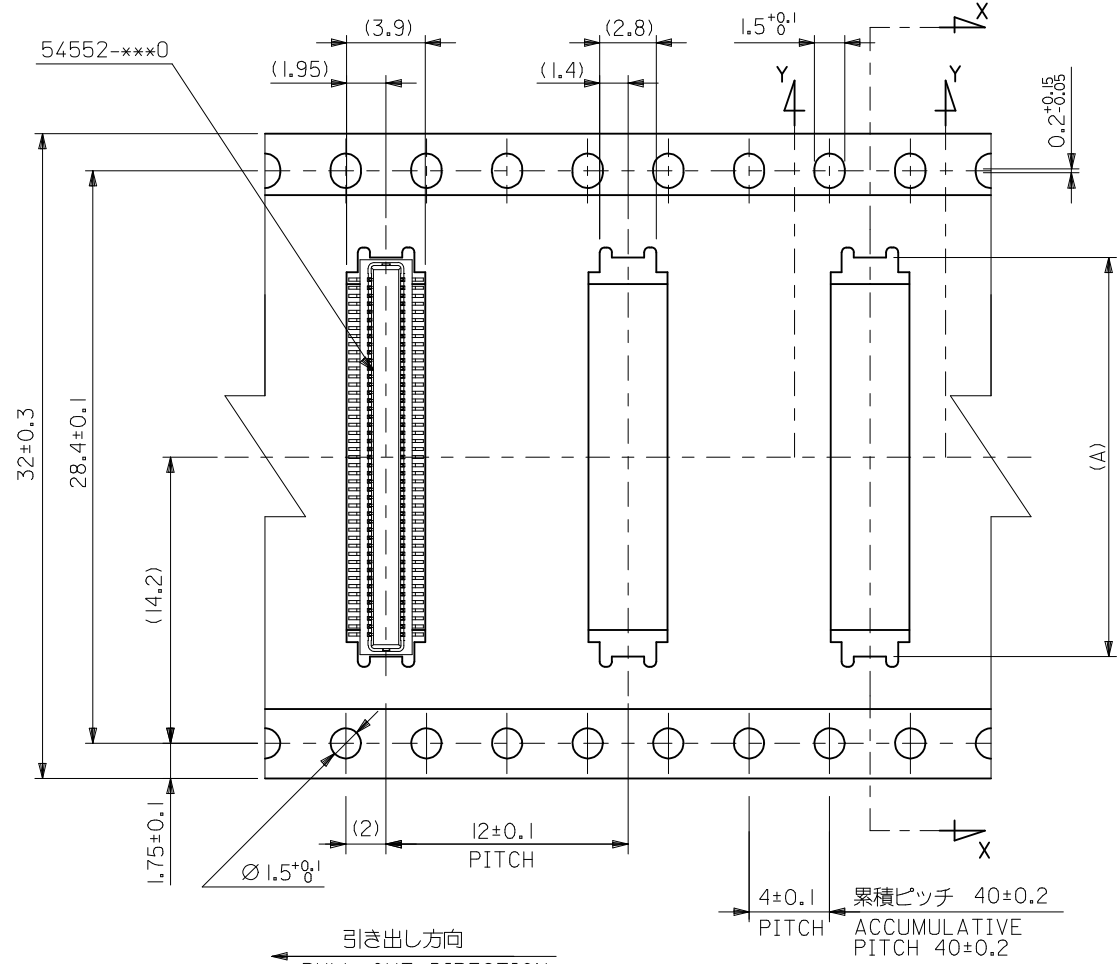
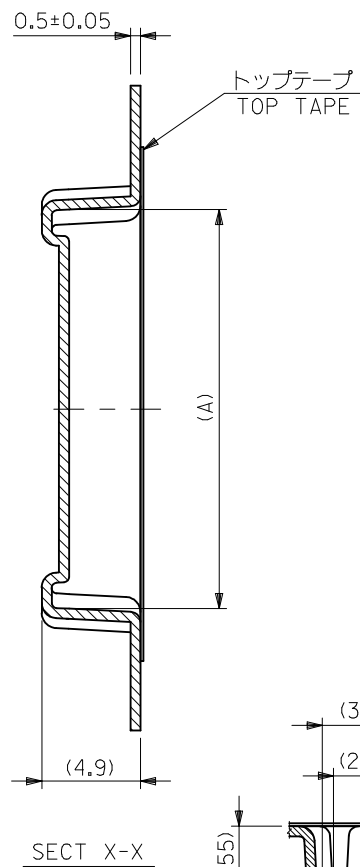


SECT Y-Y



24mm幅キャリアテープ
24mm WIDTH CARRIER TAPE

REVISED EC NO: J2009-2156 DRWN:MTAKASAKI 2009/03/26 CHKD:THARUYAMA 2009/03/27 APPR:NUKITA 2009/03/30	GENERAL TOLERANCES (UNLESS SPECIFIED)		DIMENSION STYLE MM ONLY		SCALE ---	DESIGN UNITS METRIC	MODEL NO. 54552-***2
	10 UNDER	±0.2	DRAWN BY N. AIDA	DATE '05/02/03	TITLE EMBSTP PKG FOR 0.4 B/B CONN RA REC HSG ASSY		
	10 OVER 30 UNDER	±0.25	CHECKED BY K. TOYODA	DATE '05/02/03	MATERIAL NO. SEE TABLE		
	30 OVER	±0.3	APPROVED BY N. UKITA	DATE '05/02/03	DOCUMENT NO. SD-54552-024		
REV	DESCRIPTION	ANGULAR ±3 °	DRAFT WHERE APPLICABLE MUST REMAIN WITHIN DIMENSIONS		SHEET NO. 2 OF 4		

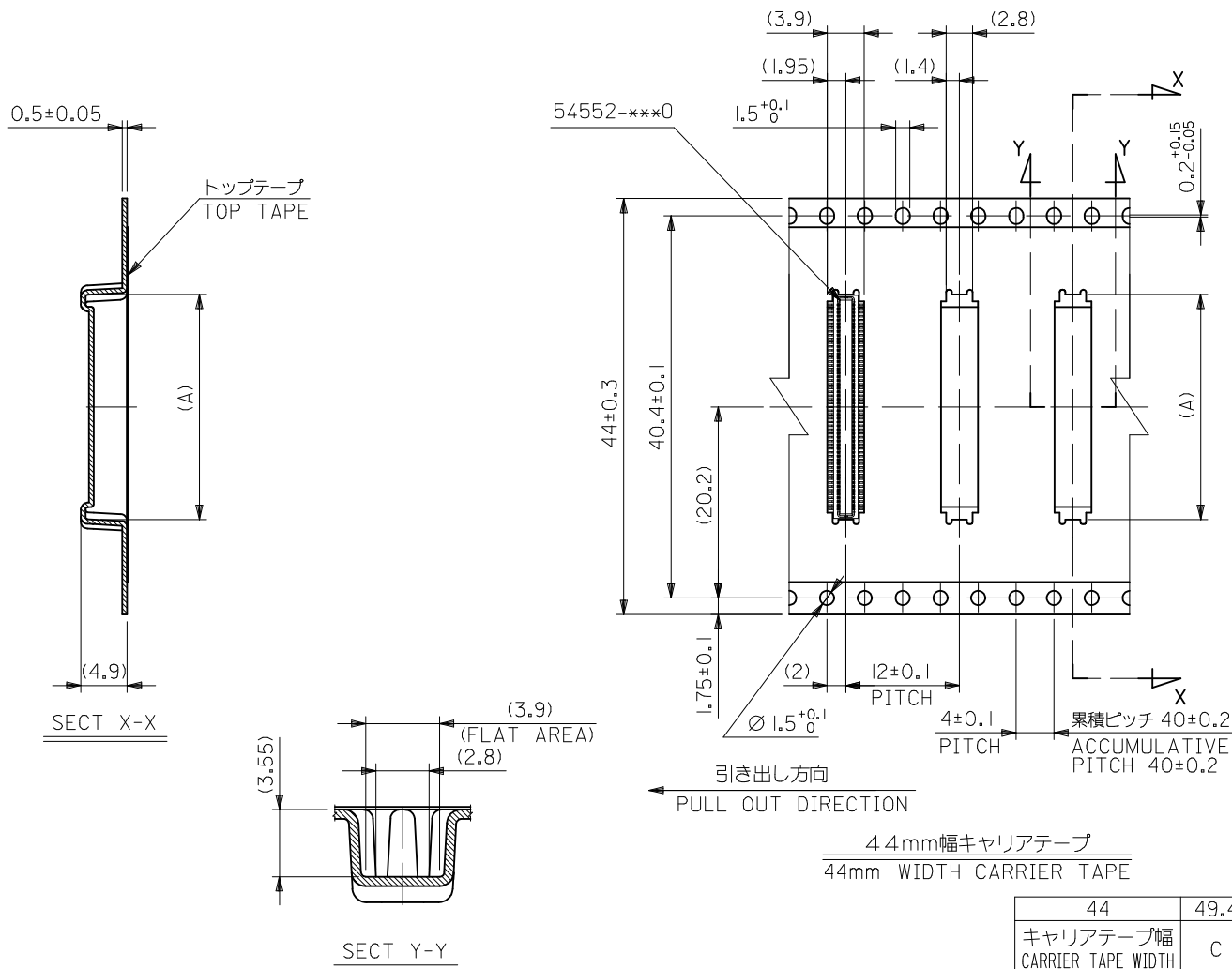


引き出し方向
PULL OUT DIRECTION
32mm幅キャリアテープ
32mm WIDTH CARRIER TAPE

4±0.1 PITCH
累積ピッチ 40±0.2
ACCUMULATIVE PITCH 40±0.2

32	37.4	33.4	19.8	54552-0902	90
キャリアテープ幅 CARRIER TAPE WIDTH	C	B	(A)	MATERIAL NO.	極数 CIRCUIT

REVISED EC NO: J2009-2156 DRWN:MTAKASAKI 2009/03/26 CHKD:THARUYAMA 2009/03/27 APPR:NUKITA 2009/03/30	GENERAL TOLERANCES (UNLESS SPECIFIED)		DIMENSION STYLE MM ONLY		SCALE ---	DESIGN UNITS METRIC	MODEL NO. 54552-***2
	10 UNDER	±0.2	DRAWN BY N. AIDA	DATE '05/02/03	TITLE EMBSTP PKG FOR 0.4 B/B CONN RA REC HSG ASSY		
	10 OVER 30 UNDER	±0.25	CHECKED BY K. TOYODA	DATE '05/02/03	MATERIAL NO.		
	30 OVER	±0.3	APPROVED BY N. UKITA	DATE '05/02/03	SHEET NO. 3 OF 4		
	ANGULAR ±3 °	DRAFT WHERE APPLICABLE MUST REMAIN WITHIN DIMENSIONS		SEE TABLE		MOLEX INCORPORATED SD-54552-024	
		THIS DRAWING CONTAINS INFORMATION THAT IS PROPRIETARY TO MOLEX INCORPORATED AND SHOULD NOT BE USED WITHOUT WRITTEN PERMISSION					



44	49.4	45.4	23.8	54552-1102	110
キャリアテープ幅 CARRIER TAPE WIDTH	C	B	(A)	MATERIAL NO.	極数 CIRCUITS

REVISED EC NO: J2009-2156 DRWN:MTAKASAKI 2009/03/26 CHKD:THARUYAMA 2009/03/27 APPR:NUKITA 2009/03/30	GENERAL TOLERANCES (UNLESS SPECIFIED)		DIMENSION STYLE MM ONLY		SCALE ---	DESIGN UNITS METRIC	MODEL NO. 54552-***2
	10 UNDER	±0.2	DRAWN BY N. AIDA	DATE '05/02/03	TITLE EMBSTP PKG FOR 0.4 B/B CONN RA REC HSG ASSY		
	10 OVER 30 UNDER	±0.25	CHECKED BY K. TOYODA	DATE '05/02/03	MATERIAL NO. SD-54552-024		
	30 OVER	±0.3	APPROVED BY N. UKITA	DATE '05/02/03	SHEET NO. 4 OF 4		
	ANGULAR ±3 °	DRAFT WHERE APPLICABLE MUST REMAIN WITHIN DIMENSIONS		SEE TABLE		DOCUMENT NO. SD-54552-024	
		THIS DRAWING CONTAINS INFORMATION THAT IS PROPRIETARY TO MOLEX INCORPORATED AND SHOULD NOT BE USED WITHOUT WRITTEN PERMISSION					