

PLEASE CHECK WWW.MOLEX.COM FOR LATEST PART INFORMATION

Part Number: [0510162000](#)
Status: **Active**
Description: 1.50mm (.059") Pitch Cable Holder, Vertical, for Ribbon Cable, 20 Circuits

Documents:

[Drawing \(PDF\)](#) [RoHS Certificate of Compliance \(PDF\)](#)
[Product Specification PS-51016-001 \(PDF\)](#)

General

Product Family Ribbon Cable / Wire Trap Connectors
 Series **51016**
 Component Type One Piece
 Glow-Wire Compliant No
 Product Name Board-In, Cable Holder

Physical

Circuits (Loaded) 20
 Color - Resin Natural
 Entry Angle Vertical
 Lock to Mating Part None
 Material - Resin Nylon
 Number of Rows 1
 PCB Retention Yes
 PCB Thickness Recommended (in) 0.062 In
 PCB Thickness Recommended (mm) 1.60 mm
 Packaging Type Bag
 Pitch - Mating Interface (in) 0.059 In
 Pitch - Mating Interface (mm) 1.50 mm
 Polarized to Mating Part N/A
 Polarized to PCB Yes
 Stackable No
 Surface Mount Compatible (SMC) No
 Temperature Range - Operating -40°C to +105°C
 Wire Insulation Diameter 1.30mm (.051") max.
 Wire Size AWG 26
 Wire/Cable Type Ribbon Cable

Electrical

Current - Maximum per Contact N/A
 Voltage - Maximum N/A

Material Info

Reference - Drawing Numbers

Product Specification PS-51016-001
 Sales Drawing SD-51016-001, SD-51016-002

EU RoHS

**ELV and RoHS
 Compliant**
**REACH SVHC
 Not Reviewed**
**Halogen-Free
 Status
 Not Reviewed**

China RoHS



**Need more information on product
 environmental compliance?**

Email productcompliance@molex.com
 For a multiple part number RoHS Certificate of
 Compliance, [click here](#)

Please visit the [Contact Us](#) section for any
 non-product compliance questions.

Search Parts in this Series

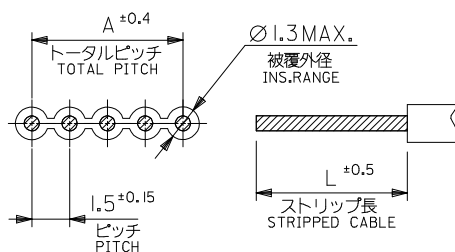
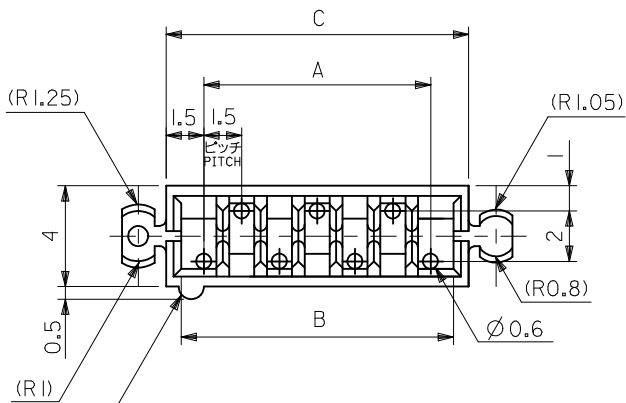
51016Series

Mates With

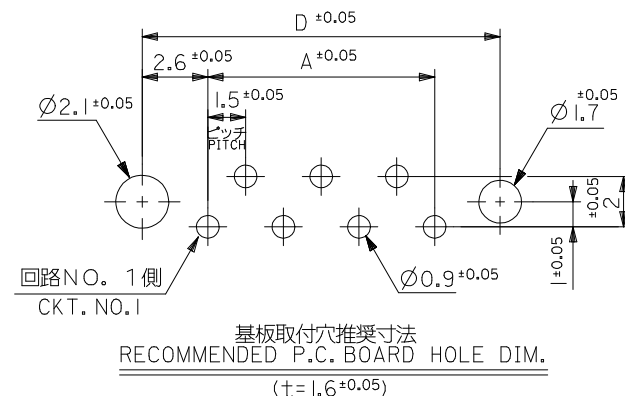
N/A

Use With

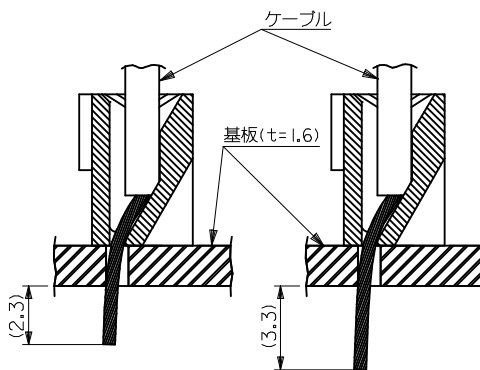
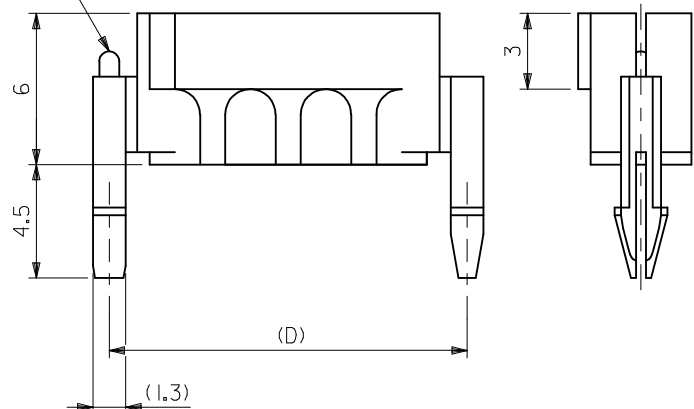
Topcoated ribbon cable



適合電線推奨寸法
APPLICABLE WIRE RECOMMENDED DIM.



回路NO. 1側
表示用突起
CKT. NO.1
EMBOSSD INDICATION



ストリップ長L=6mmのケーブルを挿入した場合
L=6mm STRIPPED CABLE INSERTION FIGURE

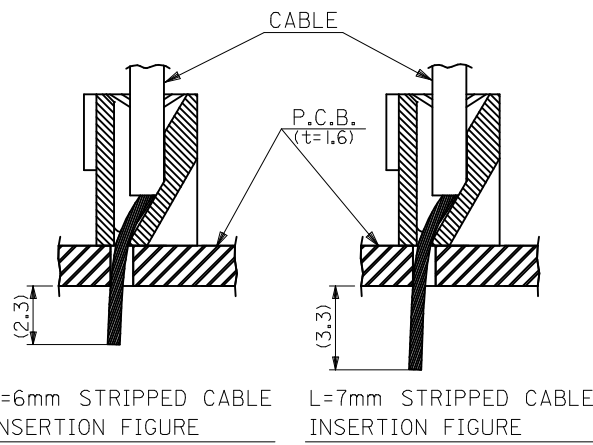
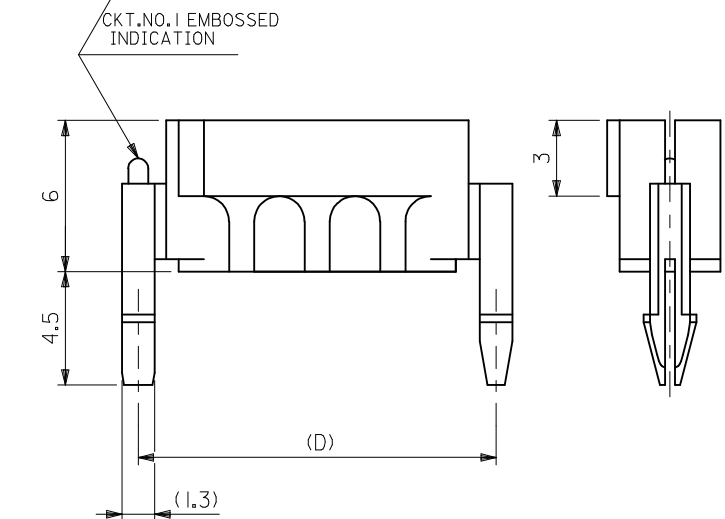
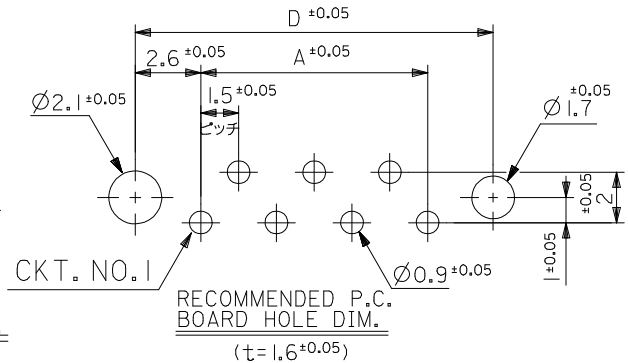
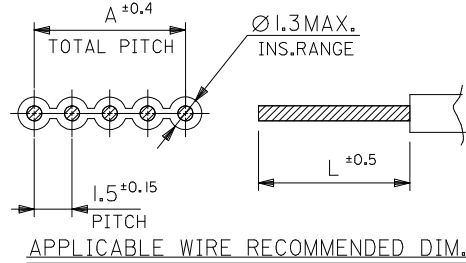
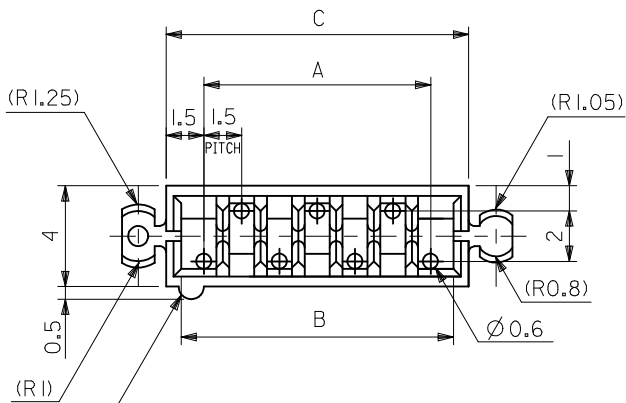
ストリップ長L=7mmのケーブルを挿入した場合
L=7mm STRIPPED CABLE INSERTION FIGURE

33.7	31.5	30.3	28.5	51016-2000	20
32.2	30	28.8	27	-1900	19
29.2	27	25.8	24	-1700	17
27.7	25.5	24.3	22.5	-1600	16
26.2	24	22.8	21	-1500	15
24.7	22.5	21.3	19.5	-1400	14
23.2	21	19.8	18	-1300	13
21.7	19.5	18.3	16.5	-1200	12
20.2	18	16.8	15	-1100	11
18.7	16.5	15.3	13.5	-1000	10
17.2	15	13.8	12	-0900	9
15.7	13.5	12.3	10.5	-0800	8
14.2	12	10.8	9	-0700	7
12.7	10.5	9.3	7.5	-0600	6
11.2	9	7.8	6	-0500	5
9.7	7.5	6.3	4.5	-0400	4
8.2	6	4.8	3	51016-0300	3
D	C	B	A	PLASTIC BAG	CIRCUIT
				ORDER No. オーダー番号	極数

(注記)
(NOTES)

- 材質:MATERIAL
66ナイロン, UL 94V-2
NYLON66, UL94V-2
- 適用電線:APPLICABLE WIRE
1. 5mmピッチリボンケーブル。
1.5mm PITCH RIBON CABLE
(UL 2468, AWG#26 錫コート線)
(UL2468, AWG26 TIN TOP COAT WIRE)

REVISED EC NO: J2009-2177 DRAWN: CARIZONO 2009/04/08 CHKD: T. HARUYAMA 2009/04/09 APPR: NUKITA 2009/04/10	GENERAL TOLERANCES (UNLESS SPECIFIED)		DIMENSION STYLE MM ONLY		SCALE 5:1	DESIGN UNITS METRIC	THIRD ANGLE PROJECTION
	10 UNDER	±0.2	DRAWN BY C. ARIZONO	DATE '09/03/30	TITLE 1.5MM PITCH CABLE HOLDER(ST.)		
	10 OVER 30 UNDER	±0.25	CHECKED BY T. HARUYAMA	DATE '09/03/30	MOLEX INCORPORATED		
	30 OVER	±0.3	APPROVED BY N. UKITA	DATE '09/03/30	SD-51016-001		
REV	DESCRIPTION	ANGULAR ±3 °	MATERIAL NO.	SEE TABLE	DOCUMENT NO.	SHEET NO. 1 OF 1	
		DRAFT WHERE APPLICABLE MUST REMAIN WITHIN DIMENSIONS	SIZE A3	THIS DRAWING CONTAINS INFORMATION THAT IS PROPRIETARY TO MOLEX INCORPORATED AND SHOULD NOT BE USED WITHOUT WRITTEN PERMISSION			



29.2	27	25.8	24	51016-1700	17
27.7	25.5	24.3	22.5	-1600	16
26.2	24	22.8	21	-1500	15
24.7	22.5	21.3	19.5	-1400	14
23.2	21	19.8	18	-1300	13
21.7	19.5	18.3	16.5	-1200	12
20.2	18	16.8	15	-1100	11
18.7	16.5	15.3	13.5	-1000	10
17.2	15	13.8	12	-0900	9
15.7	13.5	12.3	10.5	-0800	8
14.2	12	10.8	9	-0700	7
12.7	10.5	9.3	7.5	-0600	6
11.2	9	7.8	6	-0500	5
9.7	7.5	6.3	4.5	-0400	4
8.2	6	4.8	3	51016-0300	3
D	C	B	A	PLASTIC BAG	CIRCUIT
				ORDER No. オーダー番号	極数

NOTES
 1. MATERIAL:66NYLON,UL94V-2
 2. APPLICABLE WIRE
 1.5mm PITCH RIBBON CABLE
 (UL2468,AWG#26 TIN TOP COAT WIRE)

REVISED EC NO: J2009-2177 DRWN:CARIZONO 2009/04/08 CHKD:T.HARUYAMA 2009/04/09 APPR:NUKITA 2009/04/10	GENERAL TOLERANCES (UNLESS SPECIFIED)		DIMENSION STYLE MM ONLY		SCALE ---	DESIGN UNITS METRIC	THIRD ANGLE PROJECTION
	10 UNDER	±0.2	DRAWN BY C.ARIZONO	DATE '09/03/30	TITLE 15MM PITCH CABLE HOLDER (ST.)(ENGLISH)		
	10 OVER 30 UNDER	±0.25	CHECKED BY T.HARUYAMA	DATE '09/03/30	MOLEX INCORPORATED		
	30 OVER	±0.3	APPROVED BY N.UKITA	DATE '09/03/30	DOCUMENT NO. SD-51016-002		
REV	DESCRIPTION	ANGULAR ±3 °	MATERIAL NO.	SEE TABLE	SHEET NO. 1 OF 1		
		DRAFT WHERE APPLICABLE MUST REMAIN WITHIN DIMENSIONS	SIZE A3	THIS DRAWING CONTAINS INFORMATION THAT IS PROPRIETARY TO MOLEX INCORPORATED AND SHOULD NOT BE USED WITHOUT WRITTEN PERMISSION			