

PLEASE CHECK WWW.MOLEX.COM FOR LATEST PART INFORMATION

Part Number: [0353010760](#)
Status: **Active**
Description: 2.50mm (.098") Pitch SPOX™ Wire-to-Board Header, Vertical, Shrouded, Tube Packaged Version of 5267, 7 Circuits, Tin (Sn) Plating

Documents:

[3D Model](#) [Product Specification PS-35301-001 \(PDF\)](#)
[Drawing \(PDF\)](#) [RoHS Certificate of Compliance \(PDF\)](#)

Agency Certification

CSA LR 19980
 UL E29179

General

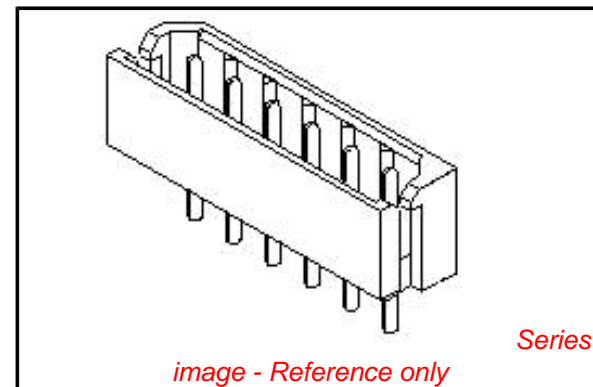
Product Family PCB Headers
 Series [35301](#)
 Application Wire-to-Board
 Product Name SPOX™

Physical

Breakaway No
 Circuits (Loaded) 7
 Circuits (maximum) 7
 Color - Resin Natural
 Durability (mating cycles max) 30
 First Mate / Last Break No
 Flammability 94V-0
 Glow-Wire Compliant No
 Guide to Mating Part No
 Keying to Mating Part None
 Lock to Mating Part Yes
 Material - Plating Mating Tin
 Material - Plating Termination Tin
 Material - Resin Nylon
 Number of Rows 1
 Orientation Vertical
 PCB Locator No
 PCB Retention Yes
 PCB Thickness Recommended (mm) 1.60 mm
 Packaging Type Tube
 Pitch - Mating Interface (in) 0.098 In
 Pitch - Mating Interface (mm) 2.50 mm
 Plating min: Mating (µin) 160
 Plating min: Mating (µm) 4
 Plating min: Termination (µin) 160
 Plating min: Termination (µm) 4
 Polarized to Mating Part Yes
 Polarized to PCB No
 Shrouded Partial
 Stackable No
 Surface Mount Compatible (SMC) No
 Temperature Range - Operating -40°C to +105°C
 Termination Interface: Style Through Hole

Electrical

Current - Maximum per Contact 3A



EU RoHS **China RoHS**

Compliance Status

Not Reviewed

REACH SVHC

Not Reviewed

Halogen-Free

Status

Not Reviewed

Need more information on product environmental compliance?

Email productcompliance@molex.com
 For a multiple part number RoHS Certificate of Compliance, [click here](#)

Please visit the [Contact Us](#) section for any non-product compliance questions.

Search Parts in this Series

[35301Series](#)

Mates With

[5264](#) SPOX™ Wire-to-Board Crimp Housing. [42219](#) SPOX™ IDT Receptacle Housing

Voltage - Maximum

250V

Material Info

Reference - Drawing Numbers

Product Specification

PS-35301-001

Sales Drawing

SD-35301-002, SD-35301-015

This document was generated on 04/13/2010

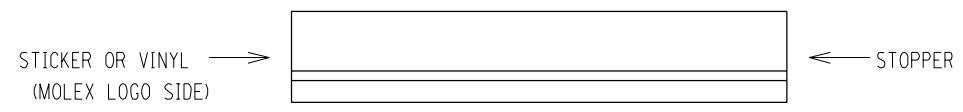
PLEASE CHECK WWW.MOLEX.COM FOR LATEST PART INFORMATION

DWG. NO.
SD-35301-002

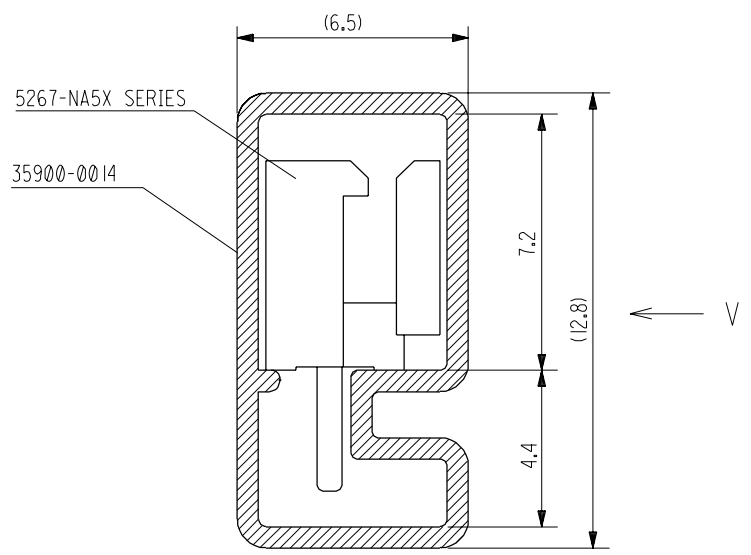
SIMILAR ITEM

PROJECT NO.

5 4 3 2 1



VIEW V



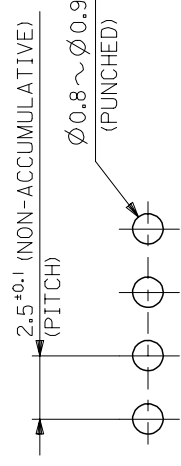
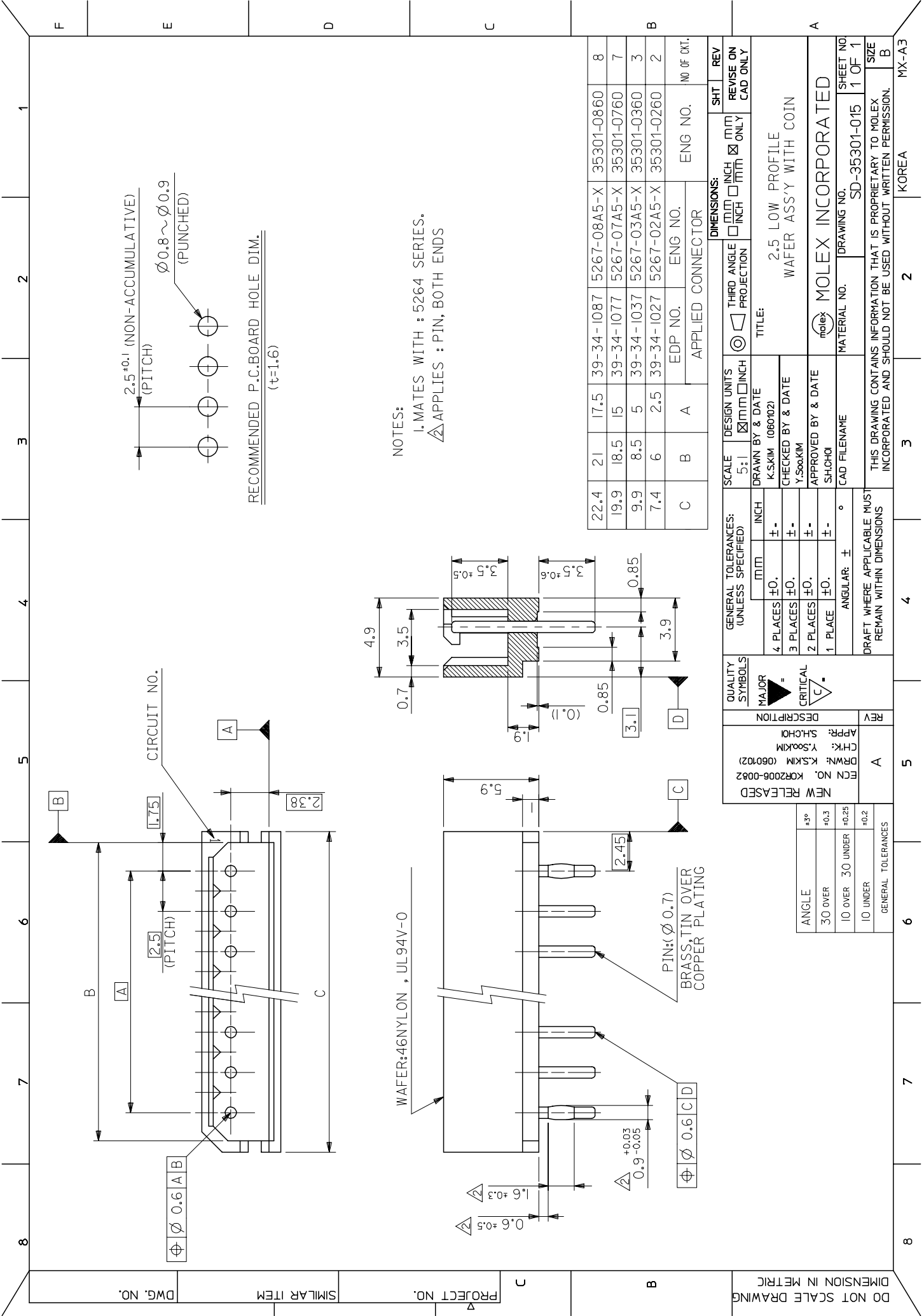
NOTES

1. PACKING TYPE : STOPPER & STICKER LOCKING TYPE(GENERAL)
: VINYL & STOPPER LOCKING TYPE(FOR S/S)
2. THICKNESS : 0.6 †
3. LENGTH : 550 mm

8	35301-0860	353010860	20	5267-NA5X SERIES
7	35301-0760	353010760	25	
3	35301-0360	353010360	50	
2	35301-0260	353010260	70	
CKTS	ENG NO.	MAT'L NO.	Q'TY/TUBE	USED ON

NEW RELEASED EC NO. KOR2002-0048 DRWN: KSKIM(011130) CHK: J.K.OH APPR: C.W.LEE	DESCRIPTION	QUALITY SYMBOLS	GENERAL TOLERANCES: (UNLESS SPECIFIED)		SCALE 5 : 1	DESIGN UNITS <input checked="" type="checkbox"/> mm <input type="checkbox"/> INCH	THIRD ANGLE PROJECTION <input checked="" type="checkbox"/> THIRD ANGLE	DIMENSIONS: <input type="checkbox"/> mm <input type="checkbox"/> INCH <input checked="" type="checkbox"/> mm ONLY	SHT	REV
		MAJOR =	CRITICAL =	mm	INCH	DRAWN BY & DATE K.S.KIM(011130)		TITLE: TUBE PACKAGED FOR 5267-NA5X SERIES		
A	REV	4 PLACES	±0.	±.	CHECKED BY & DATE J.K.OH		MOLEX INCORPORATED KOREA			
		3 PLACES	±0.	±.	APPROVED BY & DATE C.W.LEE					
		2 PLACES	±0.	±.	CAD FILENAME E35301B.DGN		MATERIAL NO. SEE TABLE	DRAWING NO. SD-35301-002	SHEET NO. 1 OF 1	
		1 PLACE	±0.4	±.	ANGULAR: ± 3 °		THIS DRAWING CONTAINS INFORMATION THAT IS PROPRIETARY TO MOLEX INCORPORATED AND SHOULD NOT BE USED WITHOUT WRITTEN PERMISSION.			
		DRAFT WHERE APPLICABLE MUST REMAIN WITHIN DIMENSIONS			SIZE A					

5 4 3 2 1 MX-A4



NOTES:
1. MATES WITH : 5264 SERIES.
△ APPLIES : PIN, BOTH ENDS

C	B	A	EDP NO.		ENG NO.	NO OF CKT.
			APPLIED CONNECTOR	ENG NO.		
22.4	21	17.5	39-34-1087	5267-08A5-X	35301-0860	8
19.9	18.5	15	39-34-1077	5267-07A5-X	35301-0760	7
9.9	8.5	5	39-34-1037	5267-03A5-X	35301-0360	3
7.4	6	2.5	39-34-1027	5267-02A5-X	35301-0260	2

SCALE	DESIGN UNITS	THIRD ANGLE PROJECTION	DIMENSIONS:		SHT	REV
			MM	INCH		
5:1	MM/INCH	☉	<input type="checkbox"/>	<input type="checkbox"/>		
DRAWN BY & DATE			TITLE:			
K.SKIM (060102)			2.5 LOW PROFILE			
CHECKED BY & DATE			WAFER ASS'Y WITH COIN			
Y.SOO/KIM			MOLEX INCORPORATED			
APPROVED BY & DATE			MATERIAL NO.			
S.H.CHOI			DRAWING NO.			
CAD FILENAME			SD-35301-015			
GENERAL TOLERANCES: (UNLESS SPECIFIED)			SHEET NO.			
4 PLACES ±0.	MM	INCH	1 OF 1			
3 PLACES ±0.	MM	INCH	SIZE			
2 PLACES ±0.	MM	INCH	B			
1 PLACE ±0.	MM	INCH	KOREA			
ANGULAR: ± °						MX-A3

QUALITY SYMBOLS	DESCRIPTION	REV
MAJOR		
CRITICAL		

DESCRIPTION	REV
NEW RELEASED	A
ECN NO. KOR2006-0062	
DRWN: K.SKIM (060102)	
CHK: Y.SOOKIM	
APP: S.H.CHOI	

ANGLE	GENERAL TOLERANCES
30 OVER	+0.3
10 OVER 30 UNDER	+0.25
10 UNDER	+0.2

DO NOT SCALE DRAWING
DIMENSION IN METRIC