

**PLEASE CHECK WWW.MOLEX.COM FOR LATEST PART INFORMATION**

**Part Number:** [0190690030](#)  
**Status:** **Active**  
**Description:** Krimptite™ Ring Tongue Terminal for 18-22 AWG Wire

**Documents:**  
[Drawing \(PDF\)](#) [RoHS Certificate of Compliance \(PDF\)](#)

**Agency Certification**

|     |         |
|-----|---------|
| CSA | LR18689 |
| UL  | E32244  |

**General**

|                         |                          |
|-------------------------|--------------------------|
| Product Family          | Ring and Spade Terminals |
| Series                  | <a href="#">19069</a>    |
| Crimp Quality Equipment | Yes                      |
| Mil-Spec                | N/A                      |
| Product Name            | Krimptite™               |
| Type                    | Ring                     |

**Physical**

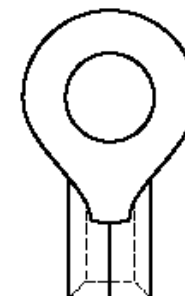
|                              |                       |
|------------------------------|-----------------------|
| Barrel Type                  | Closed                |
| Insulation                   | None                  |
| Material - Plating Mating    | Tin                   |
| Packaging Type               | Adhesive Tape on Reel |
| Stud Size                    | 3-4 (M2.6)            |
| Termination Interface: Style | Crimp or Compression  |
| Wire Size AWG                | 18, 20, 22            |
| Wire Size mm <sup>2</sup>    | 0.35 - 0.80           |

**Material Info**

|                 |            |
|-----------------|------------|
| Old Part Number | AA-120-04T |
|-----------------|------------|

**Reference - Drawing Numbers**

|               |              |
|---------------|--------------|
| Sales Drawing | SD-19069-004 |
|---------------|--------------|



*Series  
image - Reference only*

**EU RoHS**

**ELV and RoHS  
Compliant**

**REACH SVHC**

**Contains SVHC: No**

**Halogen-Free**

**Status**

**Not Reviewed**

**China RoHS**



**Need more information on product  
environmental compliance?**

Email [productcompliance@molex.com](mailto:productcompliance@molex.com)  
 For a multiple part number RoHS Certificate of  
 Compliance, [click here](#)

Please visit the [Contact Us](#) section for any  
 non-product compliance questions.

**Search Parts in this Series**

[19069Series](#)

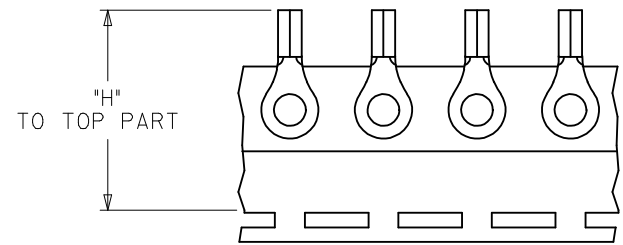
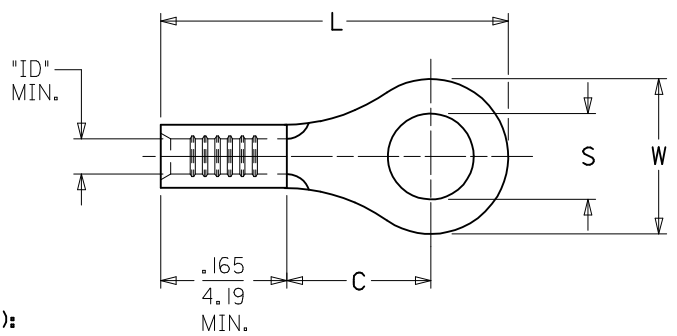
**Application Tooling | [FAQ](#)**

*Tooling specifications and manuals are  
 found by selecting the products below.  
 Crimp Height Specifications are then  
 contained in the Application Tooling  
 Specification document.*

**Global**

| Description   | Product #                  |
|---|----------------------------|
| ATP Tooling Kit<br>for ATP-100 and<br>ATP-300 Series Air<br>Crimping Press for<br>Mylar Tape Mounted<br>Terminals | <a href="#">0190270034</a> |
| Mini-Mac™<br>Applicator   | <a href="#">0638853800</a> |

| 10                       | 9          | 8                         | 7           | 6         | 5                       | 4            | 3            | 2             | 1           |                 |                |
|--------------------------|------------|---------------------------|-------------|-----------|-------------------------|--------------|--------------|---------------|-------------|-----------------|----------------|
| MATERIAL NO. LOOSE PIECE | ENG. NO.   | MATERIAL NO. TAPE MOUNTED | ENG. NO.    | STUD SIZE | "S" ±.003/(0.08)        | "W" MAX.     | "C" MIN.     | "L" MAX.      | "ID" MIN.   | STOCK THICKNESS | "H" ±.020/0.51 |
| 190690027                | AA-120-02  | 190690028                 | AA-120-02T  | 2         | .094/(2.39)             | .235/(6.00)  | .157/(3.99)  | .484/(12.29)  | .062/(1.57) | .028/(0.71)     | 1.155/(29.34)  |
| 190690029                | AA-120-04  | 190690030                 | AA-120-04T  | 4         | .119/(3.02)             |              |              |               |             |                 |                |
| 190690031                | AA-120-06  | 190690032                 | AA-120-06T  | 6         | .146/(3.71)             |              |              |               |             |                 |                |
| 190690033                | AA-121-06  | 190690034                 | AA-121-06T  | 6         | .146/(3.71)             | .322/(8.18)  | .270/(6.86)  | .641/(16.28)  | .062/(1.57) | .028/(0.71)     | 1.155/(29.34)  |
| 190690035                | AA-121-08  | 190690036                 | AA-121-08T  | 8         | .173/(4.39)             |              |              |               |             |                 |                |
| 190690037                | AA-121-10  | 190690038                 | AA-121-10T  | 10        | .198/(5.03)             |              |              |               |             |                 |                |
| 190690039                | AA-121-209 | 190690475                 | AA-121-209T | 209       | .209/(5.18)             | .477/(12.11) | .386/(9.80)  | .835/(21.21)  | .062/(1.57) | .028/(0.71)     | 1.155/(29.34)  |
| 190690040                | AA-122-10  | 190690041                 | AA-122-10T  | 10        | .198/(5.03)             |              |              |               |             |                 |                |
| 190690042                | AA-122-14  | 190690044                 | AA-122-14T  | 14        | .265/(6.71)             |              |              |               |             |                 |                |
| 190690045                | AA-122-56  | 190690046                 | AA-122-56T  | 56        | .328/(8.33)             | .544/(13.82) | .552/(14.02) | 1.034/(26.26) | .055/(1.40) | .031/(0.79)     | 1.342/(34.09)  |
| 190690047                | AA-126-10  | -----                     | -----       | 10        | .198/(5.03)             |              |              |               |             |                 |                |
| 190690048                | AA-126-14  | 190690128                 | AA-126-14T  | 14        | .265/(6.71)             |              |              |               |             |                 |                |
| 190690051                | AA-126-56  | -----                     | -----       | 56        | .328/(8.33)             | .264/(6.70)  | .240/(6.10)  | .582/(14.78)  | .062/(1.57) | .028/(0.71)     | 1.155/(29.34)  |
| 190690049                | AA-126-38  | 190690050                 | AA-126-38T  | 38        | .390/(9.91)             |              |              |               |             |                 |                |
| 190690052                | AA-132-04  | 190690053                 | AA-132-04T  | 4         | .119/(3.02)             |              |              |               |             |                 |                |
| 190690054                | AA-132-06  | 190690055                 | AA-132-06T  | 6         | .146/(3.71)             | .283/(7.20)  | .240/(6.10)  | .591/(15.00)  | .062/(1.57) | .028/(0.71)     | 1.155/(29.34)  |
| 190690056                | AA-132-08  | 190690057                 | AA-132-08T  | 8         | .173/(4.39) <b>(C1)</b> |              |              |               |             |                 |                |
| 190690061                | AA-133-10  | 190690062                 | AA-133-10T  | 10        | .198/(5.03)             |              |              |               |             |                 |                |
| 190690024                | AA-1111-02 | 190690191                 | AA-1111-02T | 2         | .094/(2.39)             | .197/(5.00)  | .173/(4.40)  | .490/(12.40)  | .055/(1.40) | .031/(0.79)     | 1.155/(29.34)  |
| 190690025                | AA-1111-04 | 190690026                 | AA-1111-04T | 4         | .119/(3.02)             |              |              |               |             |                 |                |



SALES DRAWING

**NOTE(S):**  
 1. MATERIAL: COPPER.  
 2. PLATING: ELECTRO-TIN.  
 3. ALL DIMENSIONS IN INCHES/(MM).  
 WIRE SIZE:  
 22-18 AWG  
 0.25-1.5 MM<sup>2</sup>  
**(C1)** 4. PARTS ARE ROHS COMPLIANT.

|  |                               |                                       |          |                          |            |              |  |                        |  |  |
|--|-------------------------------|---------------------------------------|----------|--------------------------|------------|--------------|--|------------------------|--|--|
| <b>FIX TYP ON .173 DIM</b><br>EC NO: WNA2009-0432<br>DRAWN: THRODAHL 2009/01/15<br>CHKD: JMACNEIL 2009/01/16<br>APPR: JMACNEIL 2009/01/16<br><b>C1</b> | QUALITY SYMBOLS<br>▽=0<br>▽=0 | GENERAL TOLERANCES (UNLESS SPECIFIED) |          | DIMENSION STYLE<br>IN/MM |            | SCALE<br>1:1 | DESIGN UNITS<br>INCH                                       | THIRD ANGLE PROJECTION |  |  |
|  |                               | 4 PLACES                              | ±---     | ±---                     | DRAWN BY   | DATE         | RING TONGUE TERMINAL<br>KRIMPTITE, 100 SERIES<br>22-18 AWG |                        |  |  |
|  |                               | 3 PLACES                              | ±---     | ±---                     | BDEROSS    | 2000/6/13    |  |                        |  |  |
|  |                               | 2 PLACES                              | ±---     | ±---                     | CHECKED BY | DATE         | MOLEX INCORPORATED   |                        |  |  |
| 1 PLACE  | ±---                          | ±---                                  | JHACKNEY | 2000/6/13                |            |              |  |                        |  |  |
| ANGULAR ±---   |                               | APPROVED BY                           | DATE     | MATERIAL NO.             |            | DOCUMENT NO. |  | SHEET NO.              |  |  |
| DRAFT WHERE APPLICABLE MUST REMAIN WITHIN DIMENSIONS   |                               | SEE CHART                             |          | RDEROSS                  |            | 2000/6/13    |  | SD-19069-004           |  |  |
| THIS DRAWING CONTAINS INFORMATION THAT IS PROPRIETARY TO MOLEX INCORPORATED AND SHOULD NOT BE USED WITHOUT WRITTEN PERMISSION                          |                               |                                       |          |                          |            |              |  |                        |  |  |