

PLEASE CHECK WWW.MOLEX.COM FOR LATEST PART INFORMATION

Part Number: [5015310510](#)
Status: **Active**
Overview: [slimstack_mm016_pitch](#)
Description: 0.40mm (.016") Pitch SlimStack™ Board-to-Board, Plug, SMT, Dual Row, Vertical Stacking, 1.30mm (.051") Stacking Height, With Solder Tabs, 50 Circuits

Documents:

[3D Model](#) [Product Specification PS-501527-001 \(PDF\)](#)
[Drawing \(PDF\)](#) [RoHS Certificate of Compliance \(PDF\)](#)

General

Product Family	PCB Headers
Series	501531
Application	Board-to-Board
Overview	slimstack_mm016_pitch
Product Name	SlimStack™

Physical

Breakaway	No
Circuits (Loaded)	50
Color - Resin	Black
Durability (mating cycles max)	30
Glow-Wire Compliant	No
Guide to Mating Part	No
Keying to Mating Part	None
Lock to Mating Part	Yes
Mated Height (in)	0.051 In
Mated Height (mm)	1.30 mm
Material - Metal	Brass, Phosphor Bronze
Material - Plating Mating	Gold
Number of Rows	2
Orientation	Vertical
PCB Locator	No
PCB Retention	Yes
Packaging Type	Embossed Tape on Reel
Pitch - Mating Interface (in)	0.016 In
Pitch - Mating Interface (mm)	0.40 mm
Polarized to Mating Part	No
Polarized to PCB	No
Stackable	No
Temperature Range - Operating	-25°C to +85°C
Termination Interface: Style	Surface Mount

Electrical

Current - Maximum per Contact	0.3A
Voltage - Maximum	50V AC (RMS)/DC

Material Info

Reference - Drawing Numbers

Packaging Specification	SPK-501531-001
Product Specification	PS-501527-001, RPS-501527-001, RPS-501527-003, RPS-501527-004
Sales Drawing	SD-501531-001, SD-501531-002

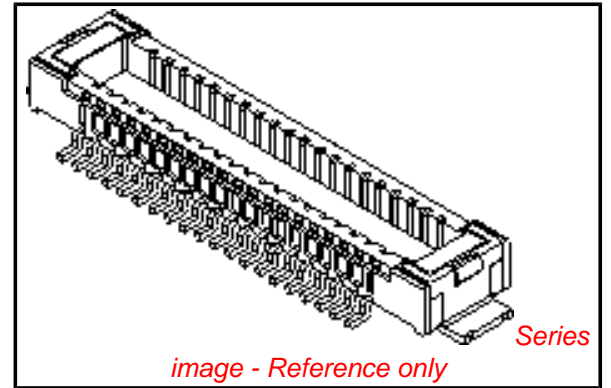


image - Reference only

EU RoHS

ELV and RoHS Compliant
REACH SVHC
 Not Reviewed
Halogen-Free
Status

China RoHS



Not Reviewed
Need more information on product environmental compliance?

Email productcompliance@molex.com
 For a multiple part number RoHS Certificate of Compliance, [click here](#)

Please visit the [Contact Us](#) section for any non-product compliance questions.

Search Parts in this Series

[501531Series](#)

Mates With

[501527 SlimStack™ Board-to-Board Receptacle](#)

This document was generated on 05/26/2010

PLEASE CHECK WWW.MOLEX.COM FOR LATEST PART INFORMATION

注記 NOTES

1. 使用材料 MATERIAL

ウェハ- : 液晶ポリマー (LCP) ガラス充填 UL94V-0 (黒)
 WAFER : LIQUID CRYSTAL POLYMER (GLASS FILLED)
 UL94V-0 (COLOR:BLACK)

ピン : 黄銅 (t=0.1)
 PIN : BRASS (t=0.1)

金具 : りん青銅 (t=0.12)
 FITTING NAIL : PHOSPHOR BRONZE (t=0.12)

2. メッキ仕様 PLATING

ピン PIN

金メッキ 0.2 マイクロメートル以上 (コンタクト部)
 GOLD 0.2MICROMETER MINIMUM (CONTACT AREA)

金メッキ 0.4 マイクロメートル以下 (テール部)
 GOLD 0.4 MICROMETER MAXIMUM (TAIL AREA)

下地メッキ : ニッケルメッキ 1.5 マイクロメートル以上
 UNDER PLATING : NICKEL 1.5MICROMETER MINIMUM

金具 FITTING NAIL

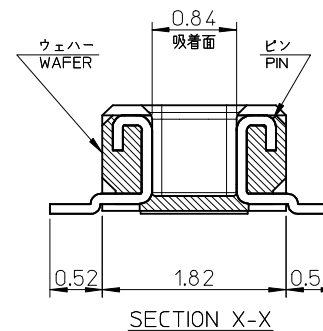
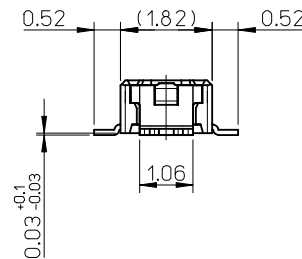
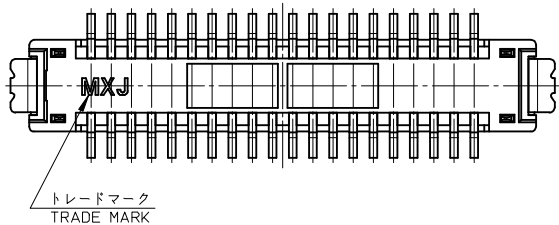
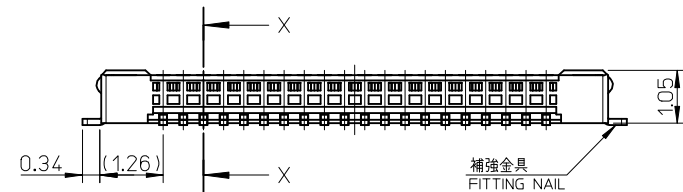
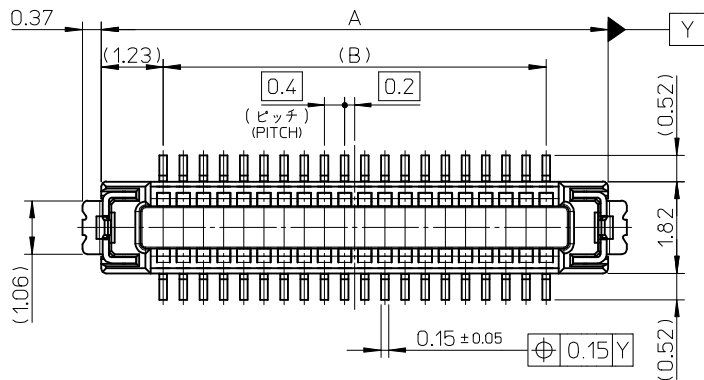
半田付け処理 (金・パラジウムコート)
 SOLDERABILITY IMPROVEMENT COAT (Au & Pd-Ni COAT)

下地メッキ : ニッケルメッキ 1.0 マイクロメートル以上
 UNDER PLATING : NICKEL 1.0MICROMETER MINIMUM

△3 (全極数/2) = 偶数の場合に適用。
 APPLY OFR (CIRCUIT/2)=EVEN.

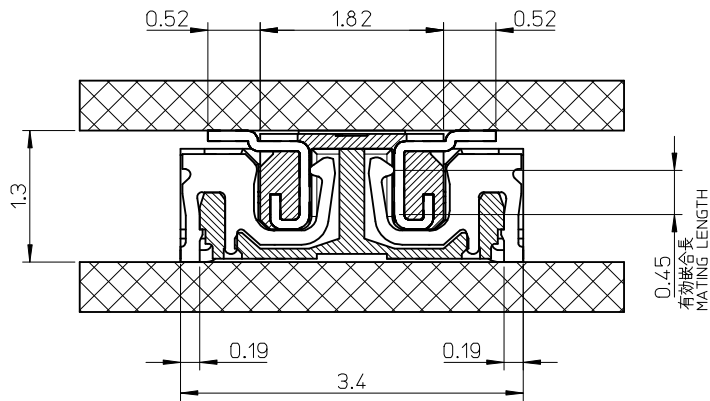
4. 嵌合相手 : 501527 シリーズ
 MATE WITH : 501527 SERIES.

5. テール平坦度は、0.08 以下
 テール及び金具の平坦度は、0.1 以下
 TAIL COPLANARITY TO BE 0.08MAXIMUM
 TAIL AND FITTING NAIL
 COPLANARITY TO BE 0.1MAXIMUM

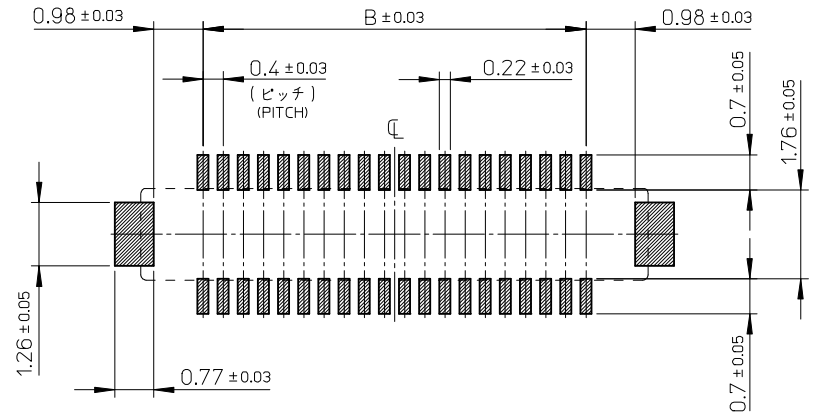


17.6	20.06	501531-0910	501531-0919	90
15.6	18.06	501531-0810	501531-0819	80
9.6	12.06	501531-0510	501531-0519	50
7.6	10.06	501531-0410	501531-0419	40
6.4	8.86	501531-3410	501531-3419	34
6.0	8.46	501531-3210	501531-3219	32
5.6	8.06	501531-0310	501531-0319	30
3.6	6.06	501531-0210	501531-0219	20
B	A	EMBOSSSED TAPE PKG.	MATERIAL No.	CKT
		ORDER No. オーダー番号	MODEL No. : 501531-**19	

REVISED EC NO. : J2009-0301 D	2008/08/27 DRWN:MMABEI	2008/08/28 CHKD:THARUYAMA	2008/08/28 APPR:NUKITA	DESCRIPTION REV	GENERAL TOLERANCES (UNLESS SPECIFIED)		DIMENSION STYLE MM ONLY		SCALE 10:1	DESIGN UNITS METRIC	THIRD ANGLE PROJECTION	TITLE 0.4 B-T0-B CONN. HGT=1.3 PLUG ASSY [OVERMOLD] -LEAD FREE- MOLEX INCORPORATED SD-501531-001	SHEET NO. 1 OF 2
	10 UNDER ±0.2		DRAWN BY DATE RTAKEUCHI 2005/10/25		10 OVER 30 UNDER ±0.25		CHECKED BY DATE THIRATA 2005/10/25		MATERIAL No. DOCUMENT NO.				
	30 OVER ±0.3		APPROVED BY DATE MSASAO 2005/10/25		ANGULAR ±3 °		SEE TABLE		THIS DRAWING CONTAINS INFORMATION THAT IS PROPRIETARY TO MOLEX INCORPORATED AND SHOULD NOT BE USED WITHOUT WRITTEN PERMISSION				
	DRAFT WHERE APPLICABLE MUST REMAIN WITHIN DIMENSIONS												



嵌合断面図 (参考)
MATED DRAWING (REFERENCE)

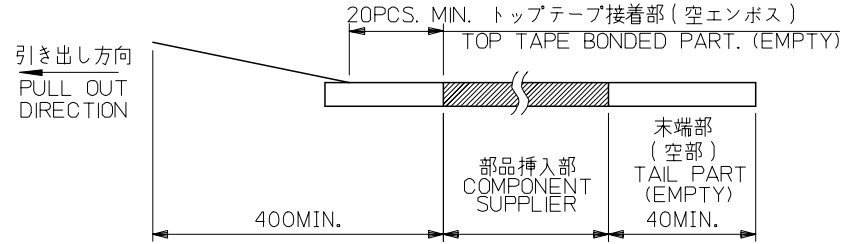
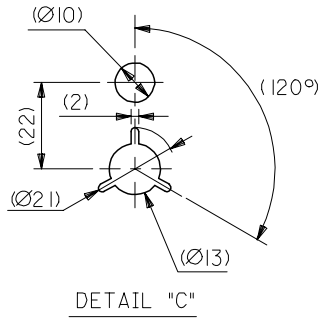
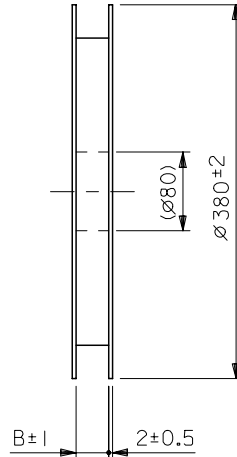
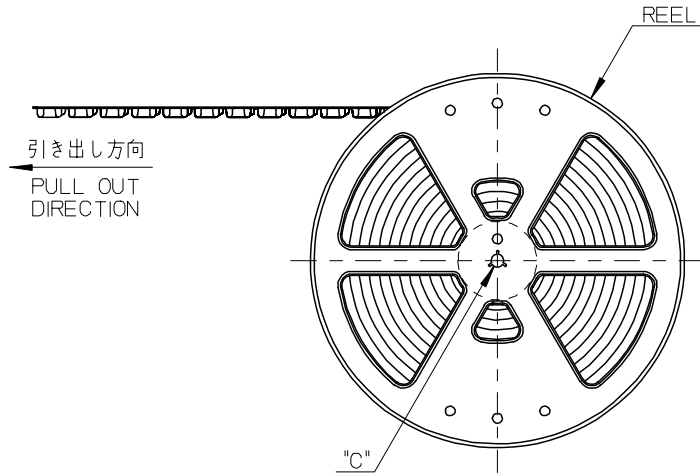


参考基板レイアウト (マウント面)
P.C.BOARD PATTERN DIMENSION (REFERENCE)
(MOUNTING AREA)

REVISED EC NO.: J2009-0301 DRWN: MABEI 2008/08/27 CHKD: THARUYAMA 2008/08/28 APPR: NUKITA 2008/08/28	GENERAL TOLERANCES (UNLESS SPECIFIED)		DIMENSION STYLE MM ONLY	SCALE 10:1	DESIGN UNITS METRIC	THIRD ANGLE PROJECTION
	10 UNDER	± 0.2	DRAWN BY RTAKEUCHI	DATE 2005/10/25	TITLE 0.4 B-TO-B CONN. HGT=1.3 PLUG ASSY [OVERMOLD] -LEAD FREE-	
	10 OVER 30 UNDER	± 0.25	CHECKED BY THIRATA	DATE 2005/10/25	MOLEX INCORPORATED	
	30 OVER	± 0.3	APPROVED BY MSASAO	DATE 2005/10/25	DOCUMENT NO. SD-501531-001	SHEET NO. 2 OF 2
	ANGULAR ± 3 °	DRAFT WHERE APPLICABLE MUST REMAIN WITHIN DIMENSIONS	MATERIAL NO. SEE SHEET 1	THIS DRAWING CONTAINS INFORMATION THAT IS PROPRIETARY TO MOLEX INCORPORATED AND SHOULD NOT BE USED WITHOUT WRITTEN PERMISSION		

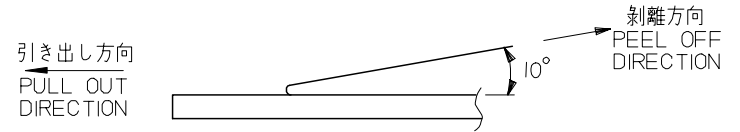
注記 NOTES

- 製品詳細寸法については製品単体図面を参照下さい。
RE DETAILED DIMENSION, SEE PRODUCT DRAWING.
- 梱包数量：6000 個/リール
NUMBER OF CONNECTORS : 6000PCS/REEL
- リードテープ長さ LEAD TAPE LENGTH



- トップテープの剥離強度：JES-59 参照
剥離方向は下図参照。

PEELING OFF STRENGTH OF TOP TAPE : REFER TO JES-59
PEELING DIRECTION AS SHOWN IN FOLLOWING FIGURE.



- 材料 MATERIAL

キャリアテープ (CARRIER TAPE) : ポリスチレン (POLYSTYRENE)
トップテープ (TOP TAPE) : PET , PE , PEF
リール (REEL) : ポリスチレン (PS) <リサイクル材を含む>
POLYSTYRENE (PS) <RECYCLE MATERIAL CONTAINED>

MODEL NO. 501531-**10

REVISED EC NO: J2007-3237 DRWNG: SAITO01 2007/08/01 CHKDK: TOYODA 2007/08/02 APPR: NUKITA 2007/08/02	DESCRIPTION	GENERAL TOLERANCES (UNLESS SPECIFIED)		DIMENSION STYLE MM ONLY		SCALE ---	DESIGN UNITS METRIC	THIRD ANGLE PROJECTION		
		10 UNDER	± ---	DRAWN BY RTAKEUCHI	DATE 2005/10/27	TITLE 0.4 B-TO-B CONN. HGT=1.3 PLUG ASSY EMBSTP PKG -LEAD FREE-				
		10 OVER 30 UNDER	± ---	CHECKED BY THIRATA	DATE 2005/10/27	MOLEX INCORPORATED				
		30 OVER	± ---	APPROVED BY MSASAO	DATE 2005/10/27	DOCUMENT NO. SD-501531-002				
		ANGULAR	± --- °	MATERIAL NO. SEE CHART		SHEET NO. 1 OF 5				
DRAFT WHERE APPLICABLE MUST REMAIN WITHIN DIMENSIONS		THIS DRAWING CONTAINS INFORMATION THAT IS PROPRIETARY TO MOLEX INCORPORATED AND SHOULD NOT BE USED WITHOUT WRITTEN PERMISSION								

10 9 8 7 6 5 4 3 2 1

F

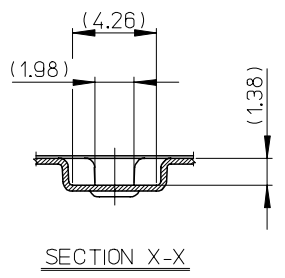
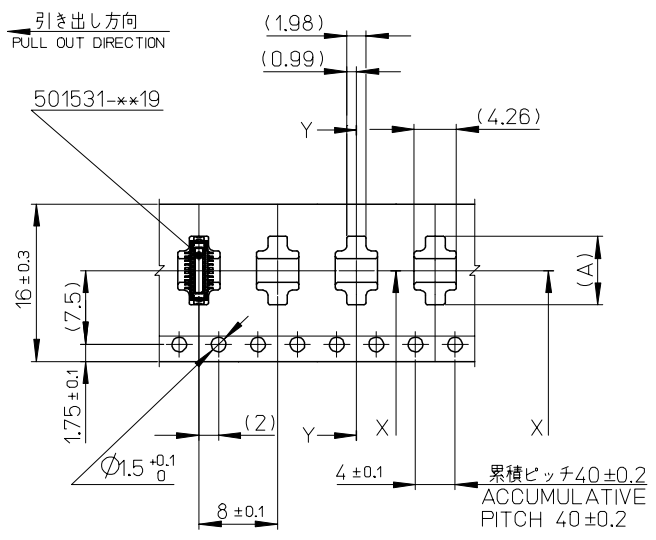
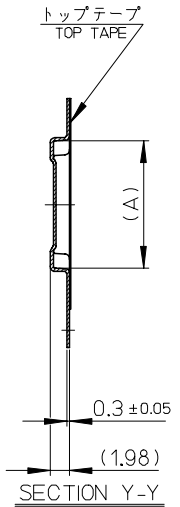
E

D

C

B

A



16mm 幅キャリアテープ
16mm WIDTH CARRIER TAPE

16	17.5	6.96	501531-0210	20
キャリアテープ幅 CARRIER TAPE WIDTH	B	(A)	MATERIAL No.	CKT.
			MODEL No.	501531-**10

REVISED EC NO: J2007-3237 DRWNG: SAITO01 CHKDK: TOYODA APPR: NUKITA	2007/08/01 2007/08/02 2007/08/02	GENERAL TOLERANCES (UNLESS SPECIFIED)		DIMENSION STYLE	SCALE	DESIGN UNITS	THIRD ANGLE PROJECTION	
		10 UNDER ± ---		MM ONLY	---	METRIC	☉ □	
		10 OVER 30 UNDER ± ---		DRAWN BY	DATE	TITLE	0.4 B-TO-B CONN. HGT=1.3 PLUG ASSY EMBSTP PKG -LEAD FREE-	
		30 OVER ± ---		RTAKEUCHI	2005/10/27	MOLEX INCORPORATED		
ANGULAR ± --- °		CHECKED BY	DATE	MATERIAL NO.	DOCUMENT NO.	SHEET NO.		
DRAFT WHERE APPLICABLE MUST REMAIN WITHIN DIMENSIONS		THIRATA	2005/10/27	SEE CHART	SD-501531-002	2 OF 5		
		APPROVED BY	DATE	THIS DRAWING CONTAINS INFORMATION THAT IS PROPRIETARY TO MOLEX INCORPORATED AND SHOULD NOT BE USED WITHOUT WRITTEN PERMISSION				
		MSASAO	2005/10/27					

10 9 8 7 6 5 4 3 2 1

F

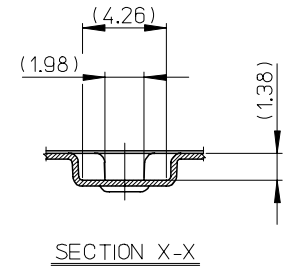
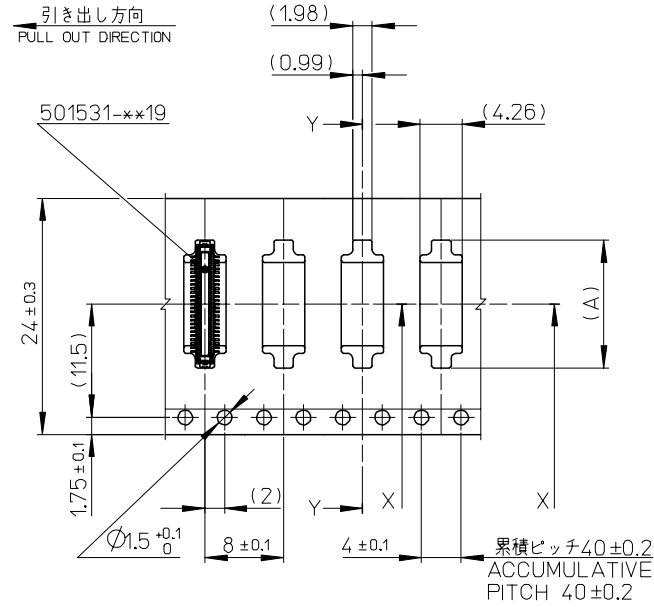
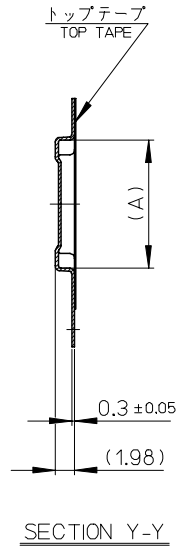
E

D

C

B

A



24mm 幅キャリアテープ
24mm WIDTH CARRIER TAPE

24	25.5	12.96	501531-0510	50	
		10.96	501531-0410	40	
		9.76	501531-3410	34	
		9.36	501531-3210	32	
		8.96	501531-0310	30	
キャリアテープ幅 CARRIER TAPE WIDTH		B	(A)	MATERIAL No.	CKT.
				MODEL No.	501531-**10

REVISED EC NO: J2007-3237 DRWNG: SAI T001 2007/08/01 CHKDK: TOYODA 2007/08/02 APPR: NUKITA 2007/08/02	DESCRIPTION	GENERAL TOLERANCES (UNLESS SPECIFIED)		DIMENSION STYLE	SCALE	DESIGN UNITS	THIRD ANGLE PROJECTION
		10 UNDER	± ---	MM ONLY	---	METRIC	☉ □
		10 OVER 30 UNDER	± ---				
		30 OVER	± ---				
		ANGULAR	± --- °				
		DRAFT WHERE APPLICABLE MUST REMAIN WITHIN DIMENSIONS		DRAWN BY RTAKEUCHI DATE 2005/10/27		TITLE 0.4 B-TO-B CONN. HGT=1.3 PLUG ASSY EMBSTP PKG -LEAD FREE-	
				CHECKED BY THIRATA DATE 2005/10/27	APPROVED BY MSASAO DATE 2005/10/27		
				MATERIAL No.		DOCUMENT NO. SD-501531-002	
				SIZE A3		SHEET NO. 3 OF 5	
		THIS DRAWING CONTAINS INFORMATION THAT IS PROPRIETARY TO MOLEX INCORPORATED AND SHOULD NOT BE USED WITHOUT WRITTEN PERMISSION					

9

8

7

6

5

4

3

2

10 9 8 7 6 5 4 3 2 1

F

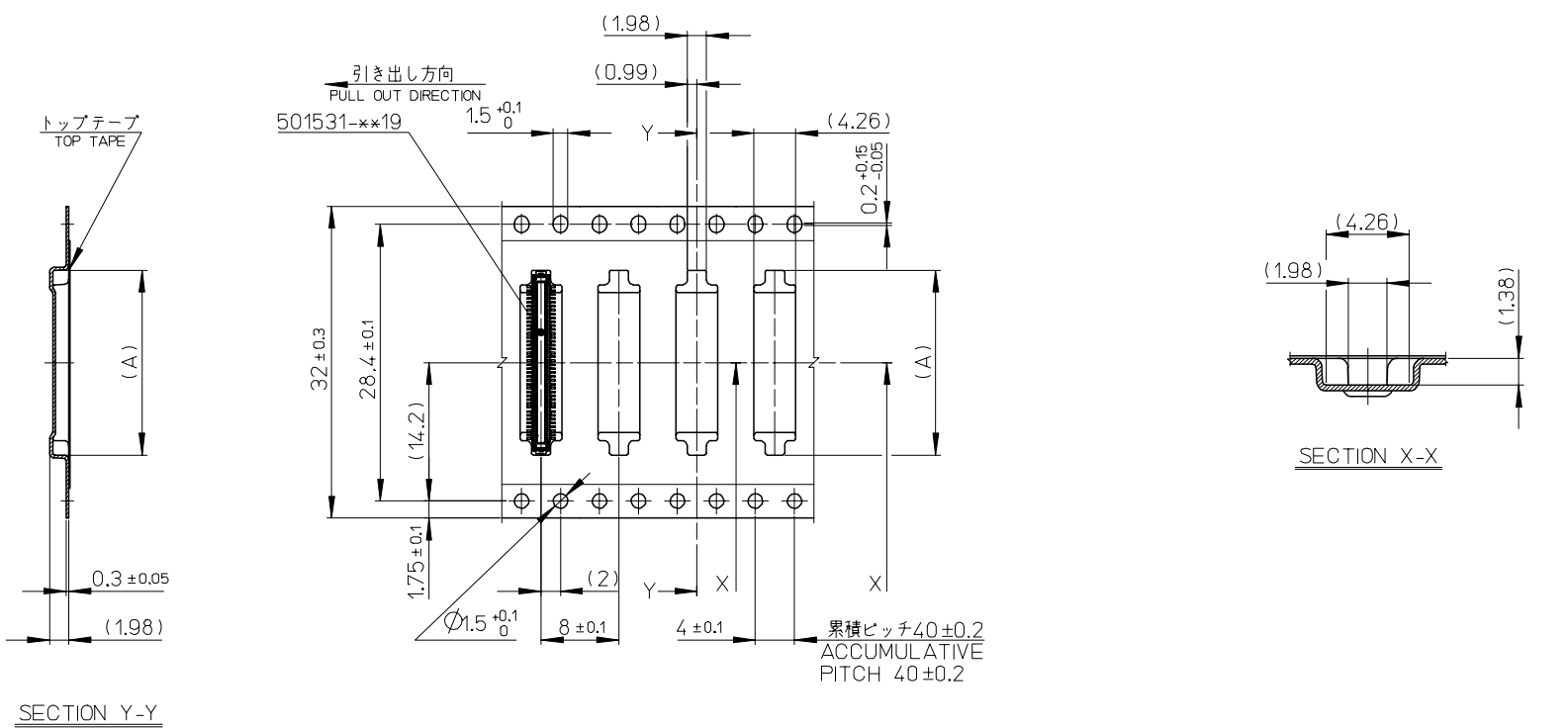
E

D

C

B

A



32mm 幅キャリアテープ
32mm WIDTH CARRIER TAPE

32	33.5	18.96	501531-0810	80
キャリアテープ幅 CARRIER TAPE WIDTH	B	(A)	MATERIAL No.	CKT.
			MODEL No.	501531-**10

REVISED EC NO: J2007-3237 DRW:KSAI T001 2007/08/01 CHK:KTOYODA 2007/08/02 APPR:NUKITA 2007/08/02	GENERAL TOLERANCES (UNLESS SPECIFIED)	DIMENSION STYLE MM ONLY	SCALE ---	DESIGN UNITS METRIC	THIRD ANGLE PROJECTION
	10 UNDER ± ---	DRAWN BY RTAKEUCHI	DATE 2005/10/27	TITLE 0.4 B-TO-B CONN. HGT=1.3 PLUG ASSY EMBSTP PKG -LEAD FREE-	
	10 OVER 30 UNDER ± ---	CHECKED BY THIRATA	DATE 2005/10/27	MOLEX INCORPORATED	
	30 OVER ± ---	APPROVED BY MSASAO	DATE 2005/10/27	DOCUMENT NO. SD-501531-002	SHEET NO. 4 OF 5
ANGULAR ± --- °	DRAFT WHERE APPLICABLE MUST REMAIN WITHIN DIMENSIONS		SEE CHART		
	THIS DRAWING CONTAINS INFORMATION THAT IS PROPRIETARY TO MOLEX INCORPORATED AND SHOULD NOT BE USED WITHOUT WRITTEN PERMISSION				

10 9 8 7 6 5 4 3 2 1

F

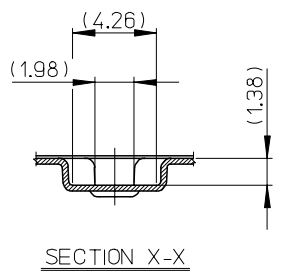
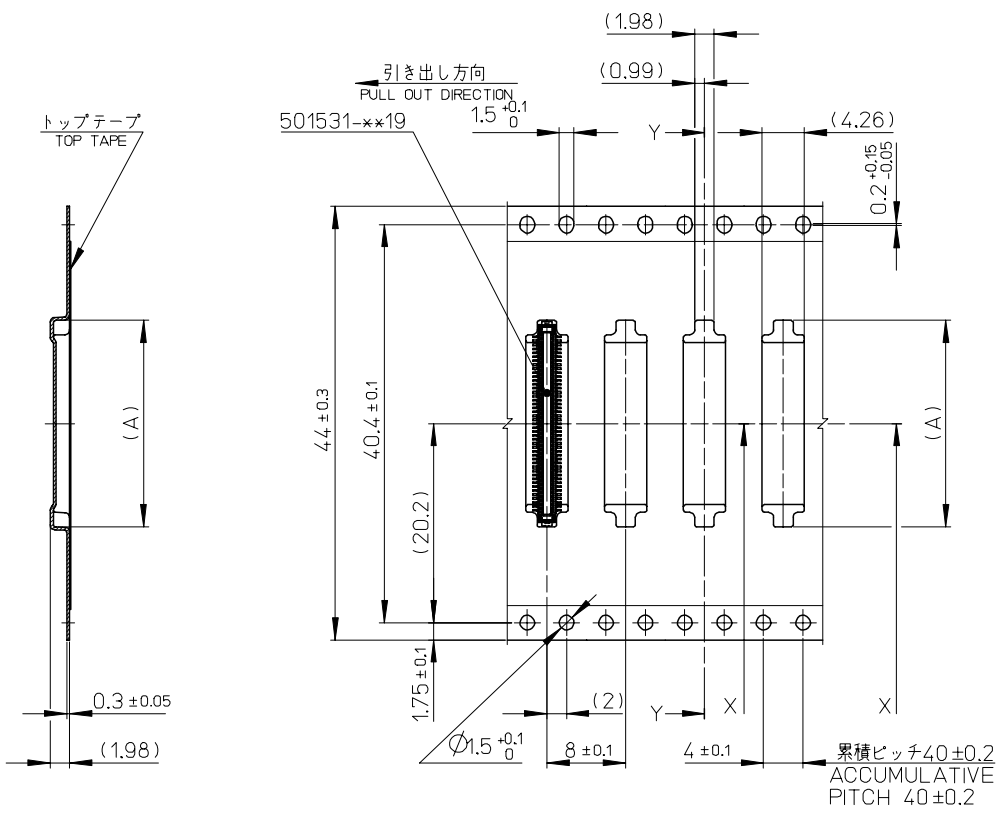
E

D

C

B

A



SECTION Y-Y

44mm 幅キャリアテープ
44mm WIDTH CARRIER TAPE

44	45.5	20.96	501531-0910	90
キャリアテープ幅 CARRIER TAPE WIDTH	B	(A)	MATERIAL No.	CKT.
			MODEL No.	501531-**10

REVISED EC NO: J2007-3237 DRWN:KSAIT001 2007/08/01 CHKD:KTOY00A 2007/08/02 APPR:NUKITA 2007/08/02	GENERAL TOLERANCES (UNLESS SPECIFIED)	DIMENSION STYLE MM ONLY	SCALE ---	DESIGN UNITS METRIC	THIRD ANGLE PROJECTION
	10 UNDER ±---	DRAWN BY RTAKEUCHI	DATE 2005/10/27	TITLE 0.4 B-TO-B CONN. HGT=1.3 PLUG ASSY EMBSTP PKG -LEAD FREE-	
	10 OVER 30 UNDER ±---	CHECKED BY THIRATA	DATE 2005/10/27	MOLEX INCORPORATED	
	30 OVER ±---	APPROVED BY MSASAO	DATE 2005/10/27	DOCUMENT NO. SD-501531-002	SHEET NO. 5 OF 5
ANGULAR ±---	DRAFT WHERE APPLICABLE MUST REMAIN WITHIN DIMENSIONS		SEE CHART		
	THIS DRAWING CONTAINS INFORMATION THAT IS PROPRIETARY TO MOLEX INCORPORATED AND SHOULD NOT BE USED WITHOUT WRITTEN PERMISSION				