

# 185-900 (02 Flange Mount) Expanded Beam Fiber Optic Bulkhead Connector 900 Series: Hermaphroditic Threaded Coupling



## 185-900-A 02-C-50/125

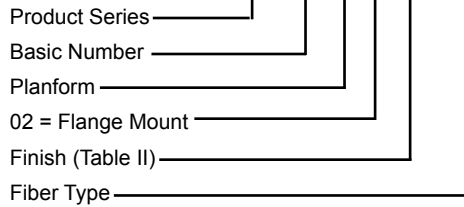
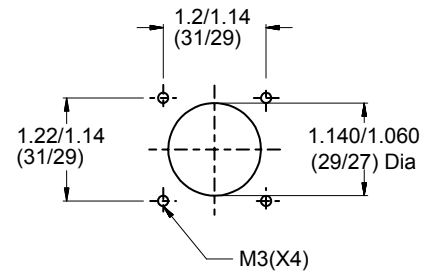
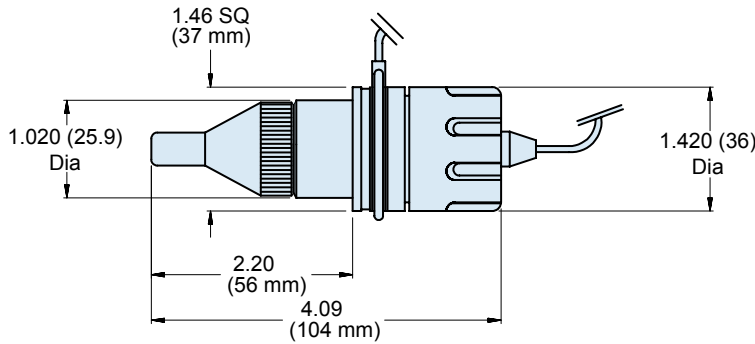


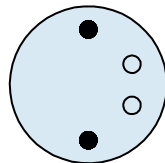
TABLE II: FINISH		
SYM	Material	FINISH
C	Aluminum	Anodized, Black
AB	Aluminum	Nickel Aluminum Bronze



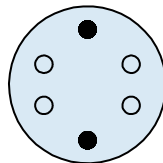
PANEL CUTOUT

### 900 SERIES FLANGE MOUNT BULKHEAD

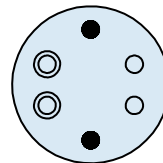
### PLANFORMS



PLANFORM A  
2 CHANNEL



PLANFORM B  
4 CHANNEL



PLANFORM C  
Hybrid 2+2

### TABLE I: PERFORMANCE

<b>Optical Loss</b>	50/125 @ 850/1300nm 0.6 dB Typical 9/125 @ 13190/1550nm 1.0 dB Typical
<b>Return Loss</b>	9/125 @ 1310/1550nm 1.0 dB Typical
<b>Operating Temperature</b>	-40°C to +70°C
<b>Storage Temperature</b>	-55°C to +85°C
<b>Water Immersion</b>	Up to 2M Depth
<b>Vibration Sinusoidal</b>	10-500Hz, 0.75 Amplitude @ 10g Acceleration
<b>Free Fall Resistance</b>	500 Falls onto Concrete from 1.2M height
<b>Bump Resistance</b>	4,000 Bumps @ 40g Acceleration
<b>Tensile Strength</b>	Tensile of 2,000N, Cable Dependent
<b>Cable Variations</b>	Compatible with Tactical cable: Plug <9mm O/D Bulkhead <6mmO/D Other Cable Sizes Available on request

All Tests Compliant to BS EN 186000-1 Specifications

**PART SUPPLIED ONLY AS  
TERMINATED ASSEMBLY**

**CONSULT FACTORY  
FOR CABLE DESIGN**